

IP67 Industrial Peristaltic Pump

Model : HP350

Flow Rate : 0.42-4340mL/min

IP rate : IP67



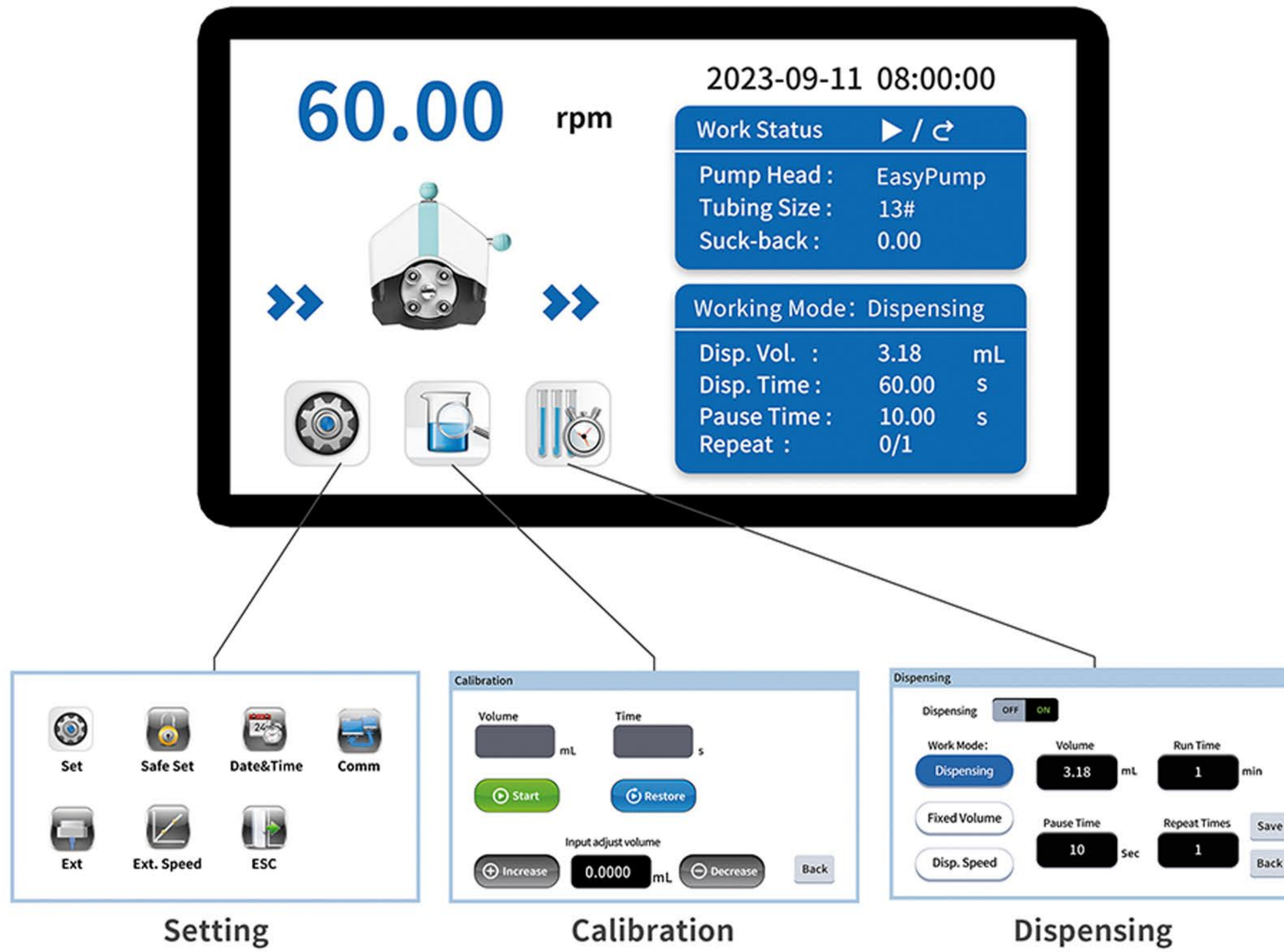
Introduction

- The pump shell protection level is IP67, special designed for industrial environment. The pump has 6 types of sealing structures, which can withstand various harsh hot and humid environments, ensure long-term stable operation of the pump.
- Intelligent control system, support transferring and dispensing function.
- 4.3 inch touch screen, easy operation, easy parameter setting and calibration.

Product Features

- IP67 protection rating, special designed for industrial environment.
- Intelligent control system.
- Passed EMC test Excellent anti-electromagnetic interference.
- The automatic pressure control device ensures internal and external pressure balance.
- Inside and outside of the external control interface are both circuit isolation.
- High precision servo motor.
- Casting shell with excellent heat dissipation performance.

Control Interface



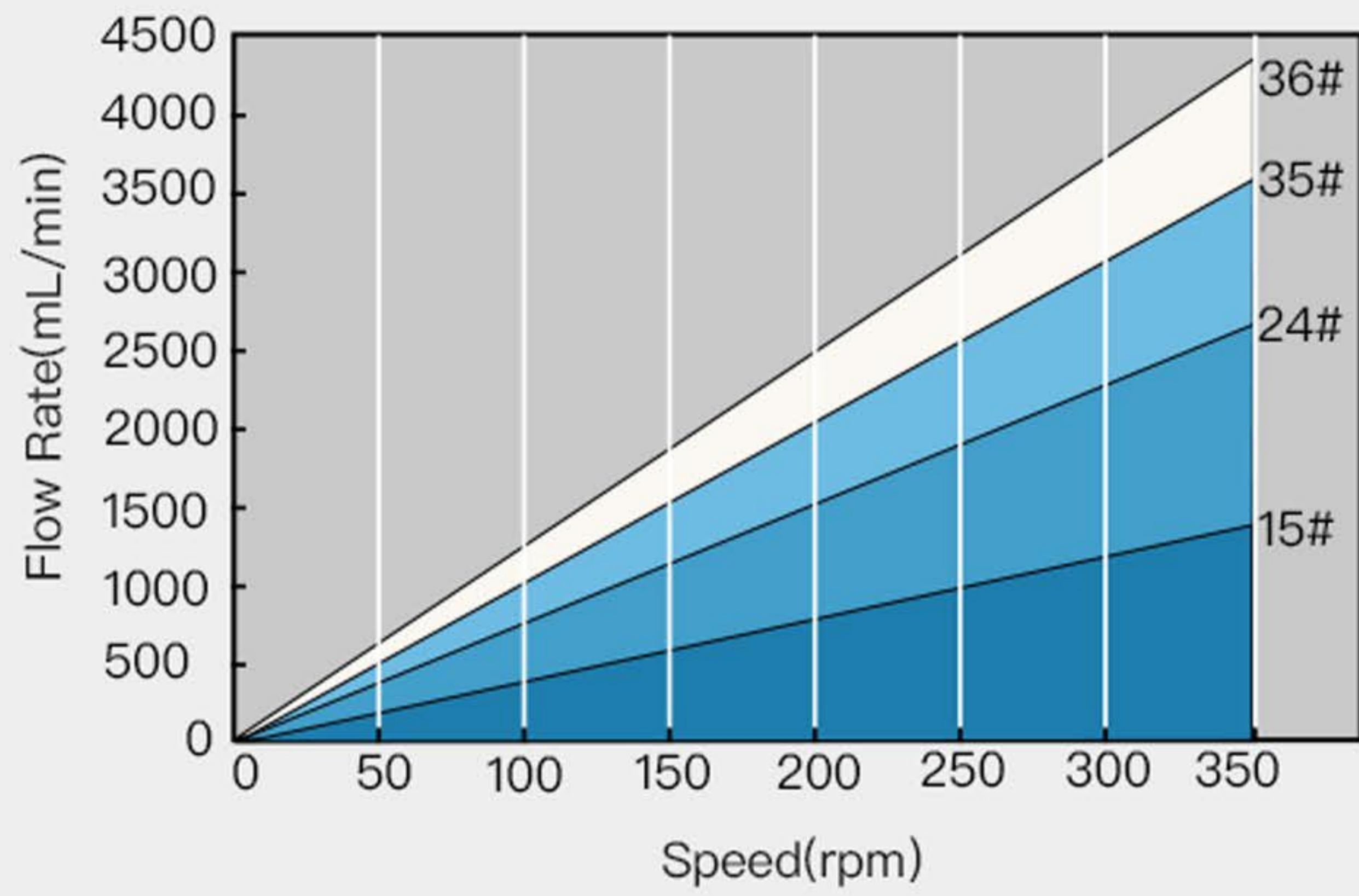
Pump Head



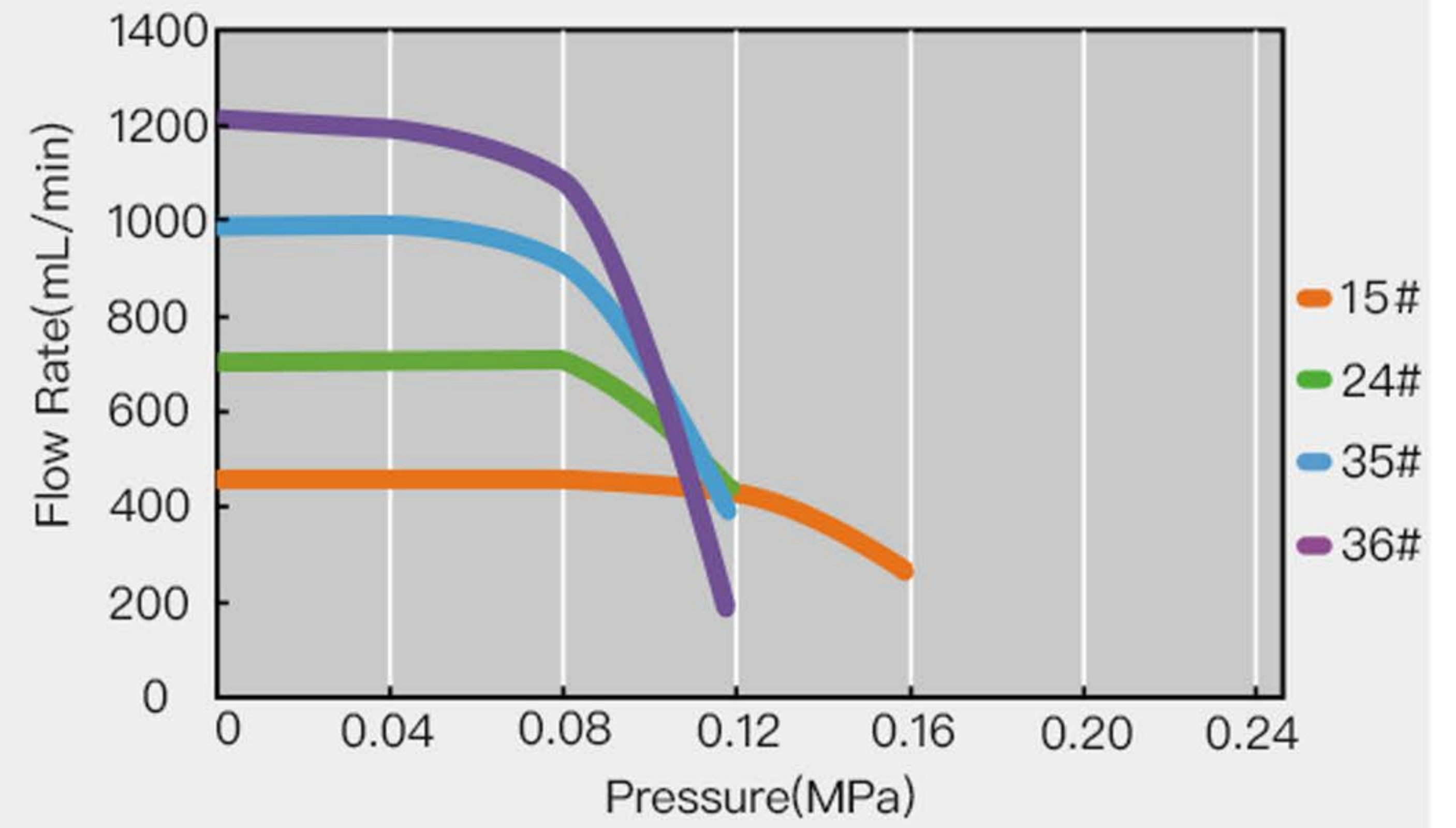
| Flow Rate | | | | | | | | | |
|-----------|-----------|------------------|---------------------|--------|-------------------|-------|-------------|--------------------|-------------|
| Drive | Pump Head | Housing Material | Tube Clamp Material | Tubing | | mL/r | Speed (rpm) | Flow Rate (mL/min) | Weight (kg) |
| | | | | Size | IDxWall Thickness | | | | |
| HP350 | DY25 | Aluminum alloy | Polyamide | 15# | 4.8x2.4(mm) | 4.23 | 0.1-350 | 0.42-1480 | 3.2 |
| | | | | 24# | 6.4x2.4(mm) | 7.63 | | 0.76-2670 | |
| | | | | 35# | 7.9x2.4(mm) | 10.29 | | 1.03-3600 | |
| | | | | 36# | 9.6x2.4(mm) | 12.40 | | 1.24-4340 | |



Flow Rate(0.1–350rpm)



Pump Head Pressure/Flow Rate Curve(100rpm)

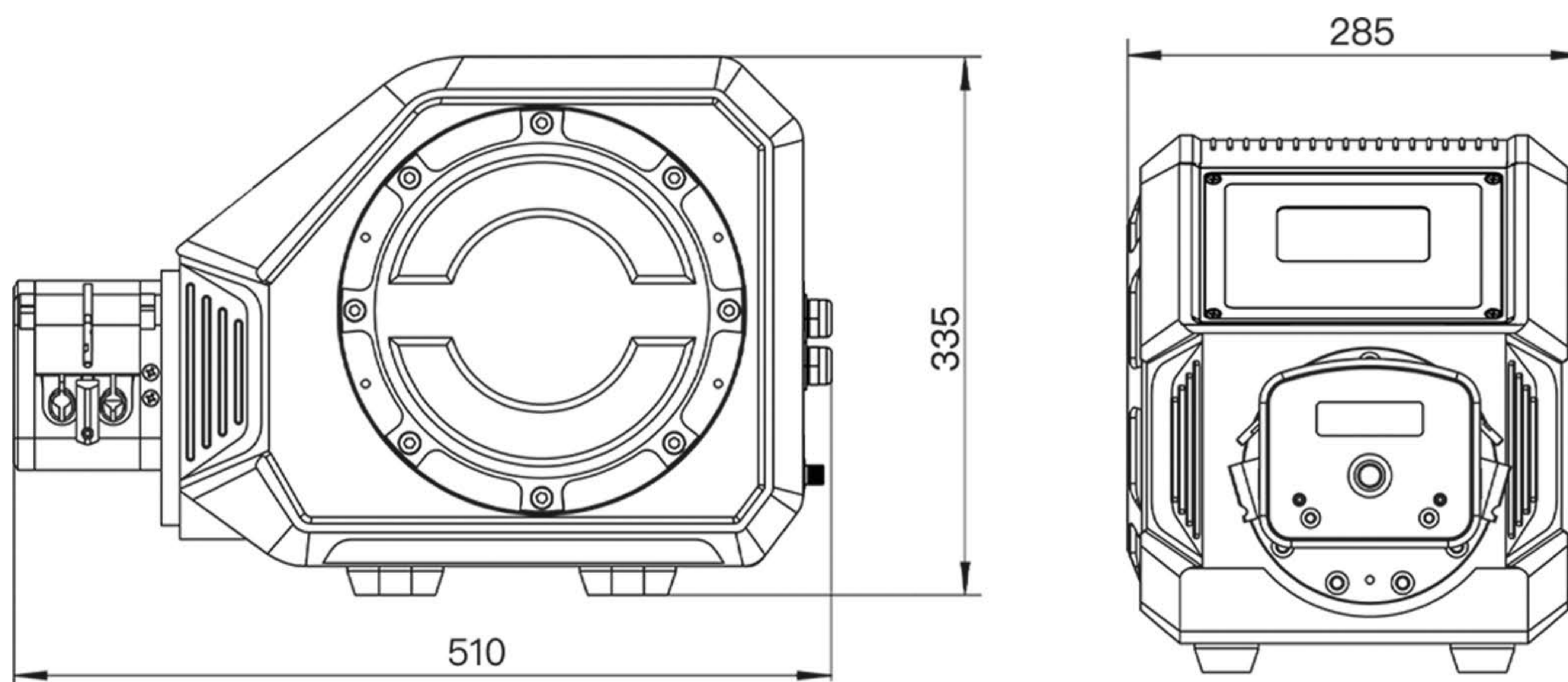


Filling Volume Reference Parameter

| Drive | Pump Head | Tubing | Filling Volume(mL) | Filling Time(s) | Accuracy(±%) | Output (pcs/min) | Motor Speed(rpm) |
|-------|-----------|--------|--------------------|-----------------|--------------|------------------|------------------|
| HP350 | DY25 | 15# | 10 | 0.8 | 0.8 | 33 | 177.3 |
| | | 24# | 30 | 1 | 0.8 | 30 | 235.9 |
| | | 35# | 70 | 1.5 | 0.5 | 24 | 272.2 |
| | | 36# | 100 | 2 | 0.5 | 20 | 241.9 |

Experimental conditions: standard atmospheric pressure, room temperature at 20°C, the liquid is pure water, no pressure, no suction and lift.
 Note: Actually, it is affected by many factors such as transmission medium, inlet and outlet pressure, hose material and error, working environment, etc. This data is for reference only.

Dimension Drawing(mm)





Specifications

| | |
|-------------------------------|--|
| Standard | GB/T4208-2017, Q/BSC01-2019 |
| Housing material | Aluminum Alloy |
| Speed range | 0.1-350rpm |
| Speed resolution | 0.01rpm |
| Display | 4.3 inch -Industrial grade - True color LCD screen |
| Control method | Touch screen, mechanical buttons, external signal, communication |
| Working mode | Flow rate mode, Dispensing mode. |
| Flow rate mode | Continuous transferring according to the set flow rate or motor speed. |
| Dispensing mode | Fixed time and volume dispensing: Set the dispensing volume, dispensing time, repeat number and pause time. |
| | Fixed volume dispensing: Set the dispensing volume, flow rate, repeat number and pause time. |
| | Speed/time dispensing: Set the motor speed (rpm), dispensing time, repeat number and pause time. |
| Dispensing volume | 0.1mL-9999L |
| Dispensing time | 0.1sec-9999hours |
| Pause time | 0.5sec-9999sec |
| Repeat number | 1-9999 times, 0 represents unlimited |
| Calibration function | Input actual volume and calibrate automatically |
| Back suction angle | 0-360° |
| Communication | RS485, RS232 |
| Communication protocol | Modbus protocol(RTU mode) |
| External control speed signal | 0-5V, 0-10V, 4-20mA (For option) |
| External control signal input | Active switch signal (5-24V) control start/stop, direction and full speed; Passive switch signal control start/stop. |
| Signal output | Open collector output working status. |
| Lock screen function | Prevent accidental touches. |
| Password protection function | Prevent misoperation. |
| Drive dimension | 428mm*285mm*335mm(L×W×H) |
| Power supply | 220VAC / 110VAC, 50Hz |
| Rated power | 300W |
| Relative humidity | <90% |
| Condition temperature | 0-40°C |
| IP rate | IP67 |
| Drive weight | 21.5kg |