

2023



Exported to
106 countries



3 years warranty



PERISTALTIC PUMP

Innofluid Co.,Ltd

APPLICATION



Laboratory chemical dosing



Analytical instrument sampling



Waste water treatment



Chromatography



Cosmetic filling



Pharmaceutical filling



Food & beverage filling



Diagnostic reagents filling

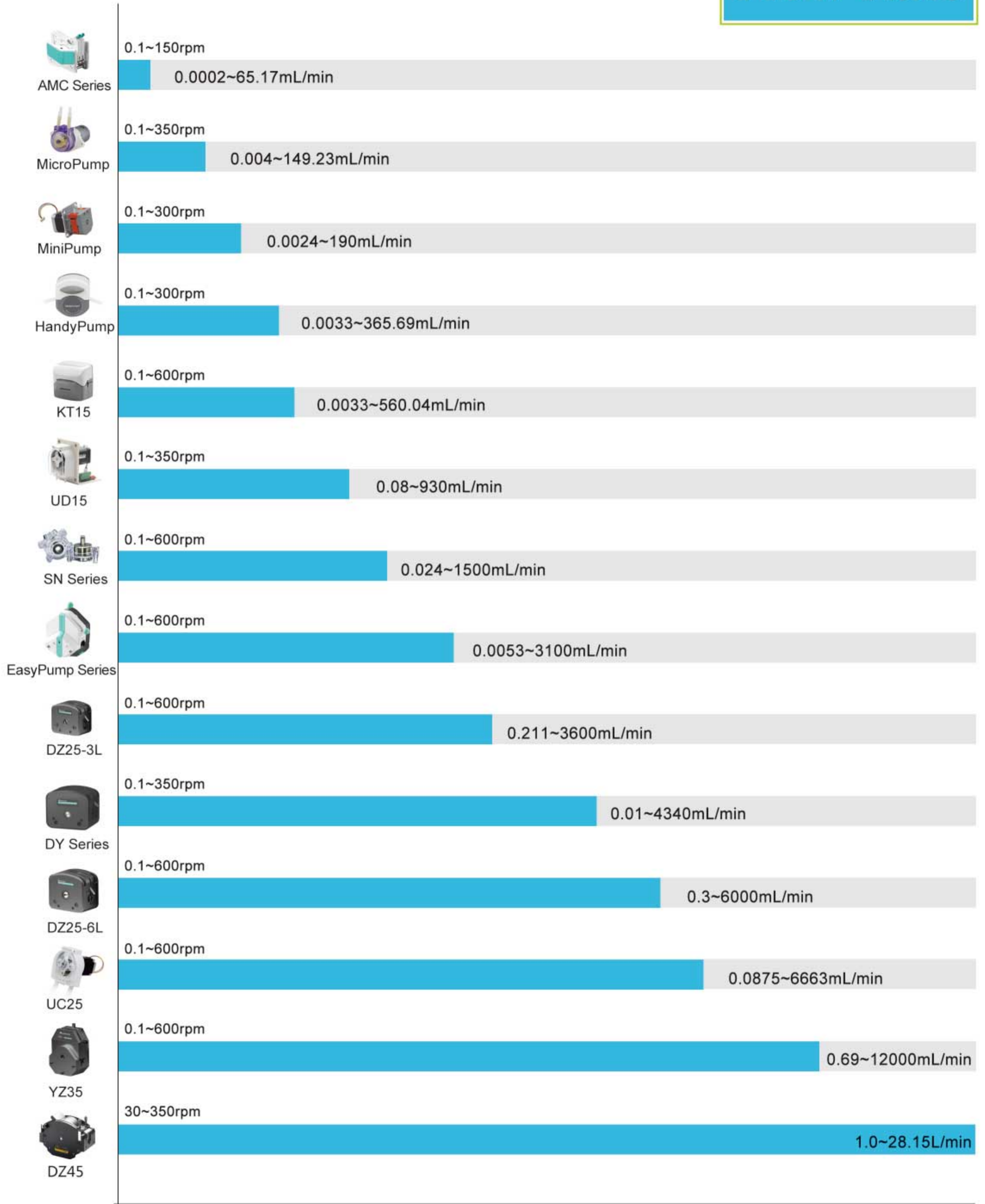


MINING AND METALLURGY



SHENCHEN

Pump Head Flow Rate



Features:

The elastic positioning mechanism enables users remove and install cartridge with one hand. Stepless adjustment of the tube pressure gap, effectively improving the flow rate accuracy between channels.

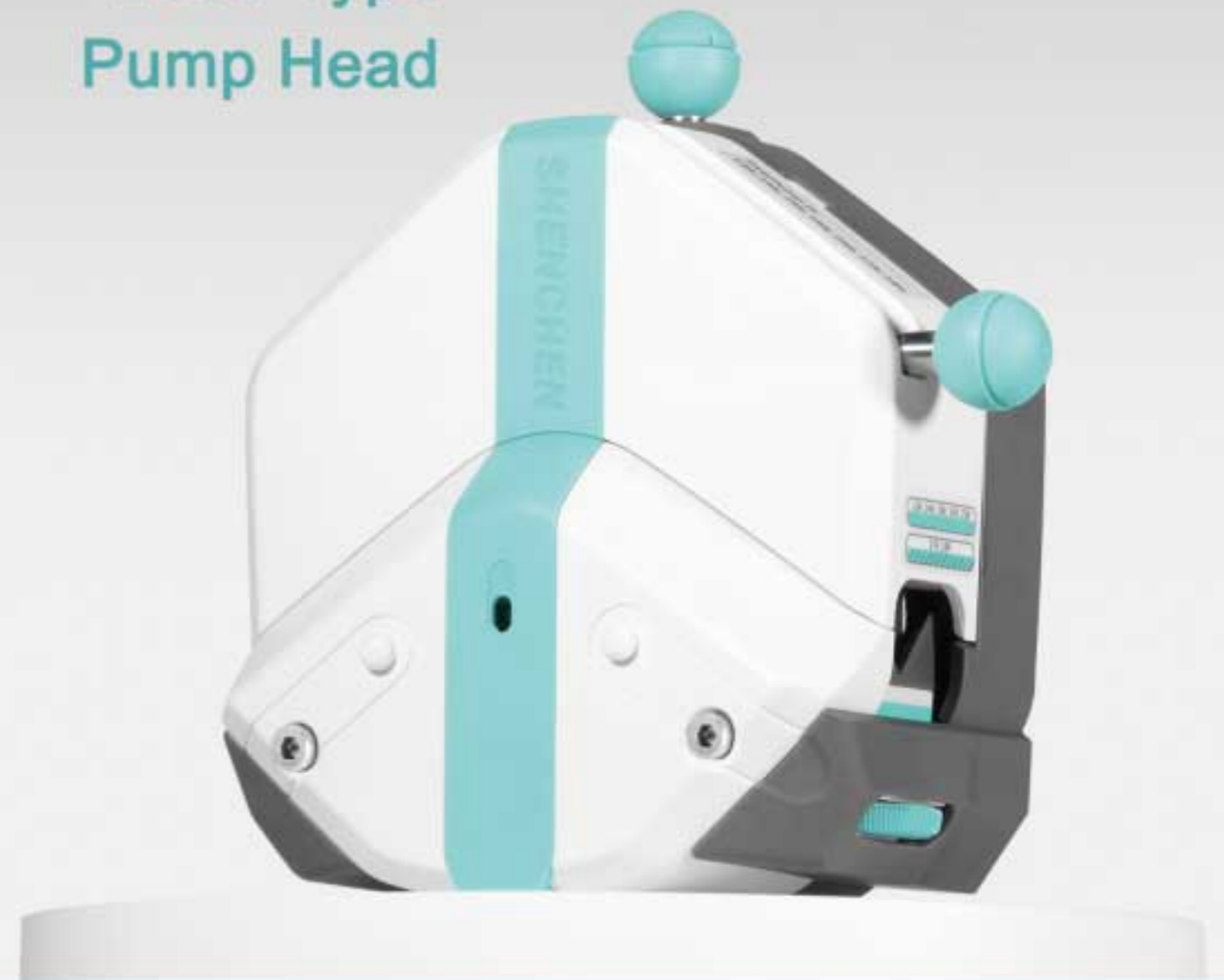
NEW New Generation
Multichannel Type
Pump Head



Features:

The tube clamp linkage mechanism makes it more convenient to install the tube. The rubbing wheel adjustment mechanism can easily fix different size tube. The lever assist mechanism makes the operation more labor-saving. The tube pressure gap fine-tuning mechanism can adjust the pressure, extend the life of the tube and improve the dispensing accuracy. Tube tubes can be installed at the same time to realize single pump head with two channels.

NEW New Generation
Quick Load Type
Pump Head





DIRECTORY



APPLICATION
FLOW RATE
NEW PRODUCT
PRODUCTS

◆ ODM Fluid Solution.....	01
◆ Compact Peristaltic Pump.....	06
LabQ.....	06
LabK.....	07
LabT.....	08
ST-HandyPump.....	09
SP-MiniPump.....	10
◆ Flow Rates Peristaltic Pump.....	11
LabV/V Series.....	11
V6 Series	13
LabN Series.....	15
N6 Series	17
◆ Dispensing Peristaltic Pump.....	18
LabF Series/F Series.....	18
F6 Series.....	21
IF3 Low Pulsation.....	24
◆ Filling System.....	25
KF300 Plus.....	25
Split Type CF600 PlusII.....	27
Split Type CF350 Plus.....	28
Integrated Type DF600 PlusII.....	29
Integrated Type DF600 PlusIV/DF350 Plus.....	30
◆ Basic Peristaltic Pump.....	34
LabM Series.....	34
M6 Series.....	35
BT-N Series.....	36
◆ Planetary Gear Industrial Pump.....	37
J025.....	37
◆ Explosion Proof Peristaltic Pump.....	38
EXP600.....	38
QD600.....	39
◆ Peristaltic Pump Tubing and Accessory.....	42

What is ODM

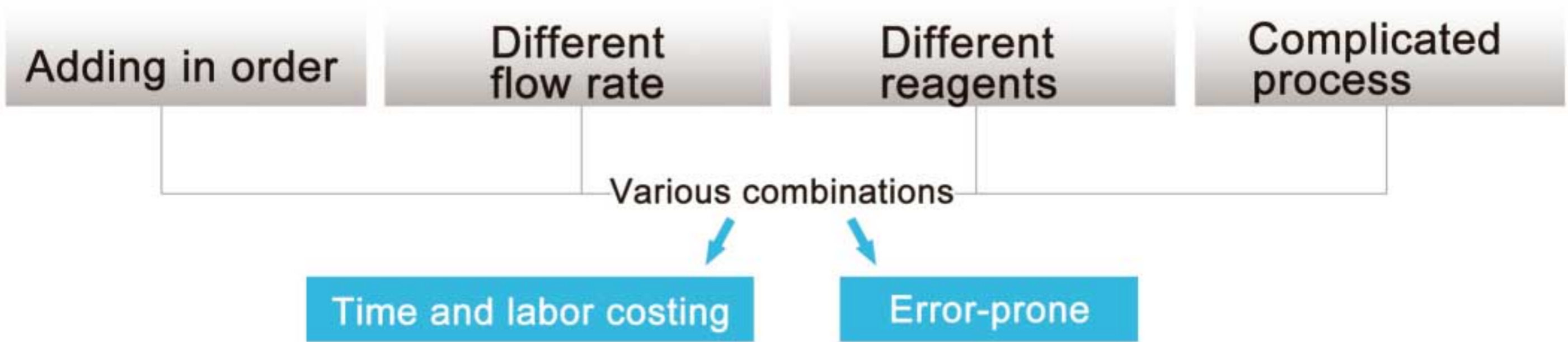
ODM (Original Design Manufacturer)

- Peristaltic pump core technology
- ODM System Solutions
- User-defined work mode



PROBLEMS

Conventional products can't be solved



How to solve the problems?

ODM provides system solutions for you.

- 1 Analyze problem
- 2 Design solution
- 3 Design ODM product

Our advantages

- CUSTOMIZED** Professional engineer offer one to one customized service.
- EXPERIENCE** 16 years of fluid transmission.
- TECHNOLOGY** Peristaltic pump technology research center.



ODM Application



01 Printing and Dyeing Industry

Pigment accurate allocation, use several different pump heads to allocate different colors of pigment.



02 Pharmaceutical Industry

Filling one bottle with several times during filling process to prevent foaming.



03 Reagent Dispensing

It can fill a variety of different liquids in same time. About 5000-6000 pcs 96 deep well plates can be filled every day.

04 Fermentor Supporting

Peristaltic pump used in fermentor supporting, 4 Handypump head used for adding acid, alkali, antifoaming agents and nutritional agents. The Lab series pump used for waste discharge.



05 Ink Cartridge Filling



05 Ink Cartridge Filling

30 channels peristaltic pump filling 30 ink cartridges in same time, high accuracy and high efficiency.



BioD-I



INTRODUCTION

This product is an intelligent platform for automatic separation of nucleic acid detection reagents. It has achieved high precision automatic batch production of reagents.

FEATURES

8 different reagents are packed in **unequal or equal amounts**.

1

Up to 0.5% packing accuracy.

2

7 inch industrial true color LCD touch screen operation, man-machine interface is friendly, can store more than a group of commonly used work mode, simple and convenient.

3

The utility model has **two-way quick liquid filling function**, can be used for bidirectional operation and is convenient for cleaning the hose, and can quickly fill the reagent in the preparation stage or the packing line before and after the packing.

4

Mechanical arm operation program can be edited to apply different size, different shape of reagent box, accurate positioning, production efficiency.

5

APPLICATION

This product is used for gene testing reagent packing, microporous plate packing, reagent box packing, micro reagent packing, biological reagent packing and so on.



Gene testing reagent packing



Microporous plate packing



Reagent box packing



Micro reagent packing



Biological reagent packing



Programmable Dispensing System

3 years warranty

PDS



Introduction

- | One controller can control maximum 8 pump units.
- | Each pump unit with same or different pump head.
- | The OCM controller and pump unit, can be integrated type or split type.

Four working modes

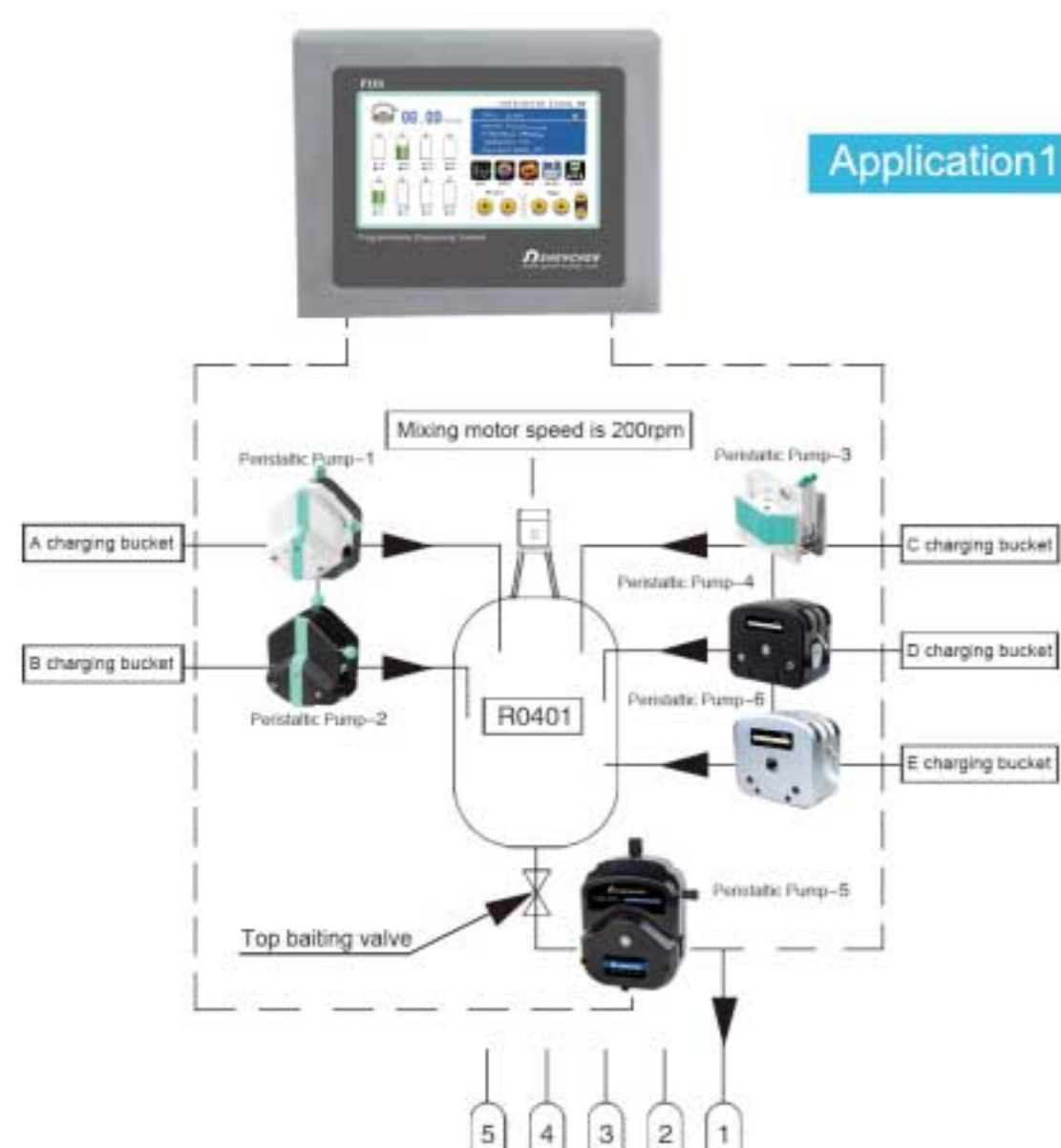
- | Logic working mode: PDSI
- | Independent working mode: PDSII
- | Independent working mode and steps filling mode: PDSIII
- | Comprehensive working mode: PDSIV

Suitable pump head

- | AMC series, MC series, MiniPump, UD15, HandyPump, KT15
- | EasyPump series, YZ1515x, YZ2515x, YZ35
- | DZ25-3L, DZ25-6L, DY15, DY25

Technical Specifications

Speed range	0.1~600rpm, also depend on pump head	Power supply	AC 220V±10%, AC 110V±10%
Speed resolution	0.01rpm	Power consumption	15W
Back suction angle	0-360°	Controller dimension	240*221*111mm
Display	7 inch- industrial grade- true color LCD TFT screen	Controller weight	2.1kg
Control	Touch screen	Memory function	Storage the running parameters when power off
Start/stop, direction signal	Active switch signal 5V	Pump housing material	Mirror stainless steel

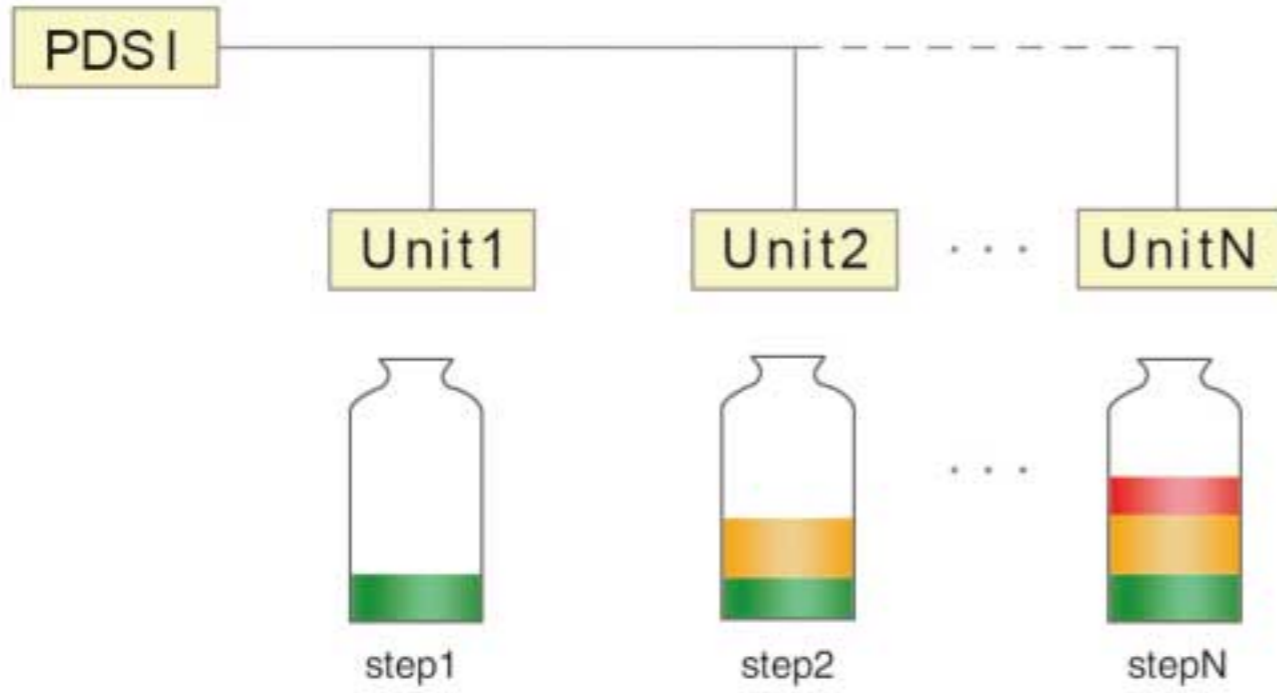


Application 1 Chemical industry: Reactor liquid adding, dispensing and washing, with different volume and adding liquid according to preset order.



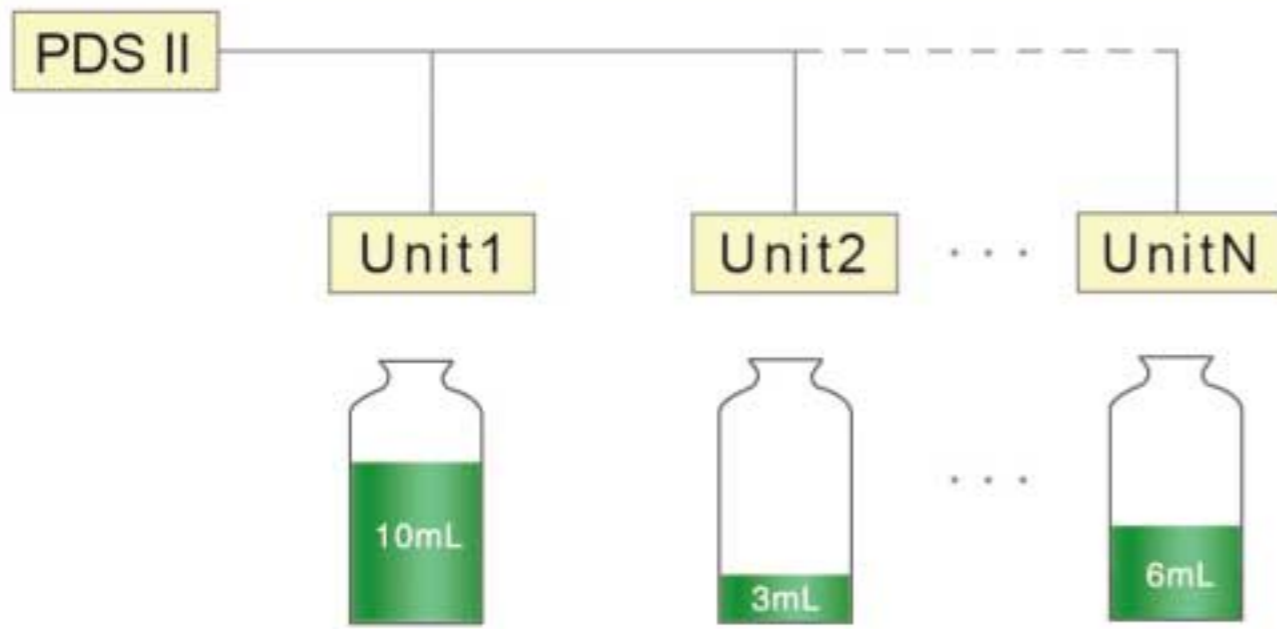
Application 2: PDSIV, one controller with 7 pump units, 4 minipump and 3 YZ1515x pump heads, for different liquid filling with different time sequence.





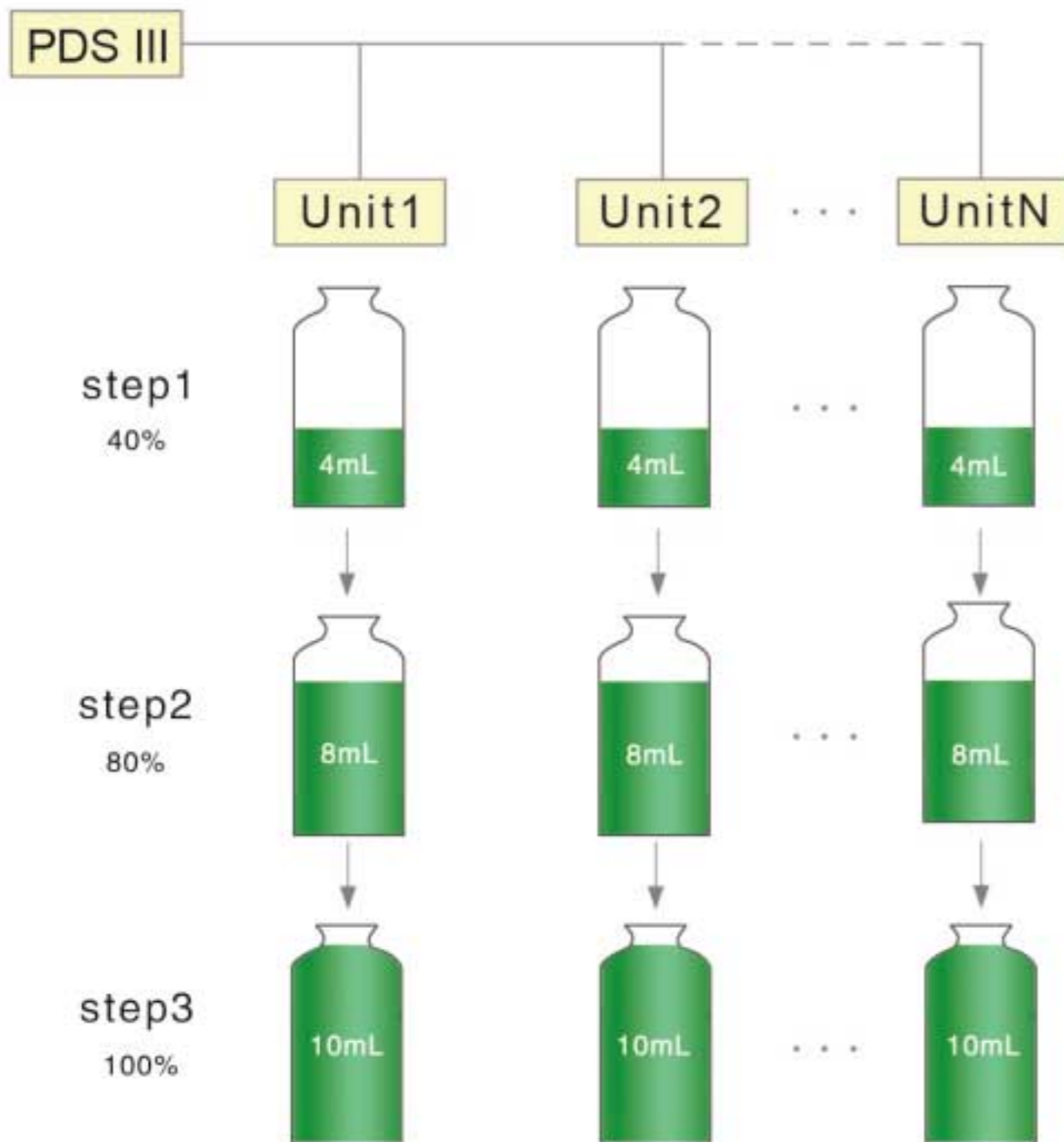
Logic working mode

In logic working mode, each unit working cooperatively. Filling or transferring with orders, also with different proportion adding, finish automation mixing work.
 Maximum steps: 50 steps
 Common mode: Can save maximum 5 groups data.
 Working time: 0.1sec ~9999hour
 Pause time: 0.1sec ~9999 hour
 Steps trigger way: Time trigger or external trigger.
 Calibration: Can calibrate each step separately, online micro adjusting function.



Independent working mode

In independent working mode, each unit working independently, can fill different volume.
 Working mode: transferring or dispensing
 Common mode: In dispensing mode can save 5 groups data.
 Calibration: Each pump unit can calibrate separately, online micro adjusting function.
 Dispensing time: 0.1-9999sec
 Pause time: 0.1-9999sec
 Repeat number: 1-9999 times, set '0' for unlimited times
 Communication: RS232/RS485, Modbus protocol (RTU mode)



Independent and steps filling working mode

In independent working mode, each unit can finish filling process with multiple different filling volume. This function suitable for prevent fluid splashing and foaming. This process can also repeat many times, achieving complicated dispensing function.
 Working mode: Transferring and dispensing mode
 Transferring total volume: Can record the total liquid volume transferred by each unit in transfer mode.
 Dispensing step: It can be dispensed in three steps, and different parameters can be set for each step.
 Calibration: Can calibrate each step separately, online micro adjusting function.
 Common mode: In dispensing mode can save 5 groups data.
 Dispensing time: 0.1-9999.99sec
 Pause time: 0.1-9999.99 sec
 Repeat number: 1-9999times, set '0' for unlimited times.
 Communication: RS232/RS485, Modbus protocol (RTU mode)

PDS IV

Comprehensive working mode

Working mode: Include logic working mode, independent working mode, independent and steps filling mode.



Compact Peristaltic Pump

LabQ **3 years warranty**



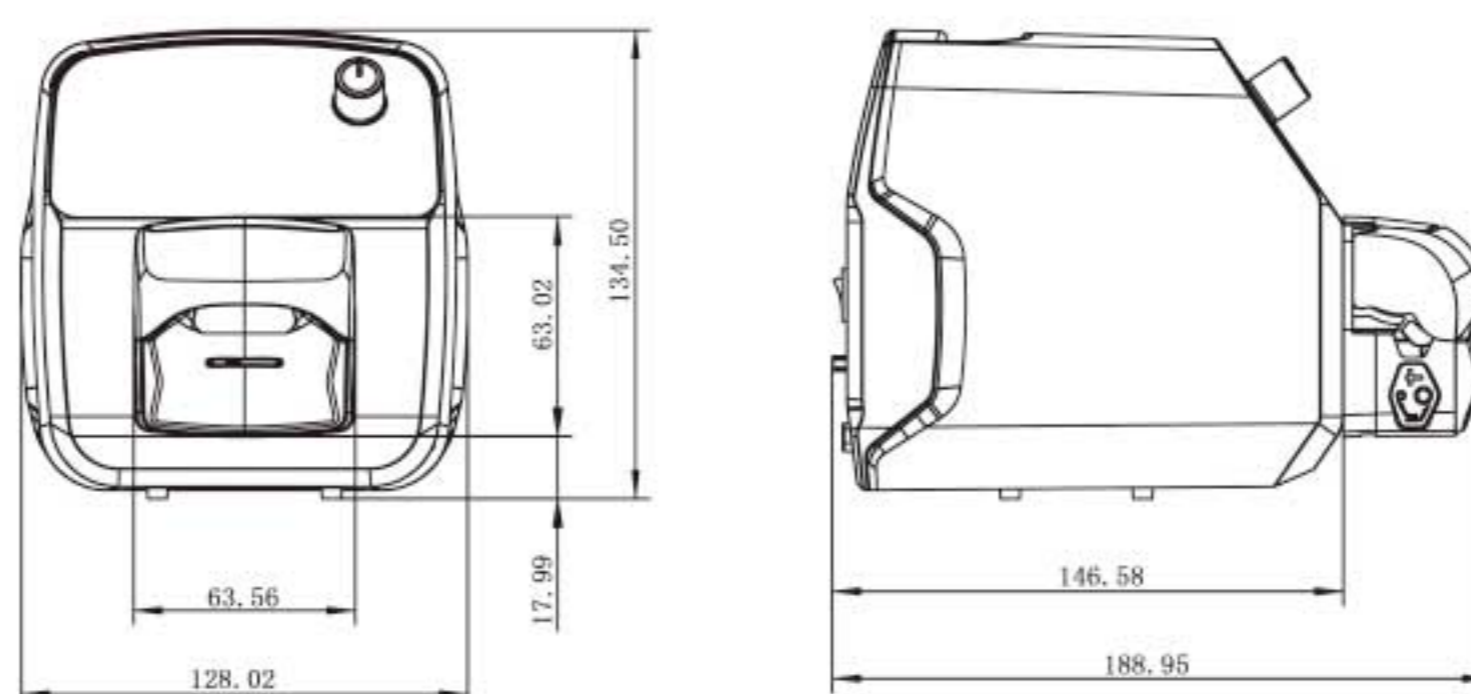
Product Introduction

- LabQ with ABS engineering plastic housing, 2.4 inch LCD display; small and compact, low power and ultra-silence.
- The digital knob is convenient for speed regulation and easy to operate.
- Multiple external control modes are optional, support RS485 communication, standard MODBUS protocol (RTU mode).
- Meet complex work environment with the super anti-interference and wide voltage design.

Product Features

- Flow rate and motor speed display in the same screen.
- Super silent drive setting, precise control, low vibration and low noise.
- Mechanical keypad control, menu interface, convenient for users setting the parameters.
- Digital rotary knob is convenient for speed regulation and easy to operate.
- Various external control functions, support 0-5V, 0-10V, 4-20mA analog signals control speed.

Dimension Drawing (Unit: mm)



Technical Specifications

Flow rate range	0.0033-326.55mL/min	Start/stop, reversing signal	Switch signal(The default is passive signal, active signal is optional)
Speed range	0.1-350rpm	Communication interface	RS485, (MODBUS protocol, RTU mode)
Speed resolution	0.1rpm	Dimension	188*128*135mm(L×W×H)
Control method	Digital knob control and mechanical keypad	Weight	1.1kg
Display	2.4 inch LCD screen	Power consumption	<30W
External speed control signal	0-5V, 0-10V, 4-20mA	Temperature	0-40°C
Output interface	Open-Collector output	Relative humidity	<80%
Power supply	Output: 24V/1.25A Input: AC100V-240V, 50Hz/60Hz		

Product Composition and Flow Rate Range

Model	Channel number	Tubing	ID×Wall thickness(mm)	mL / r	Speed(rpm)	Flow Rate(mL/min)	Weight(kg)
LabQ/KT15	Single channel	13 [#]	0.8×1.6	0.033	0.1~350	0.0033~11.55	1.1
		14 [#]	1.6×1.6	0.156		0.0156~54.60	
		19 [#]	2.4×1.6	0.286		0.0286~100.10	
		16 [#]	3.1×1.6	0.477		0.0477~166.95	
		25 [#]	4.8×1.6	0.933		0.0933~326.55	



Compact Peristaltic Pump

3 years warranty

LabK



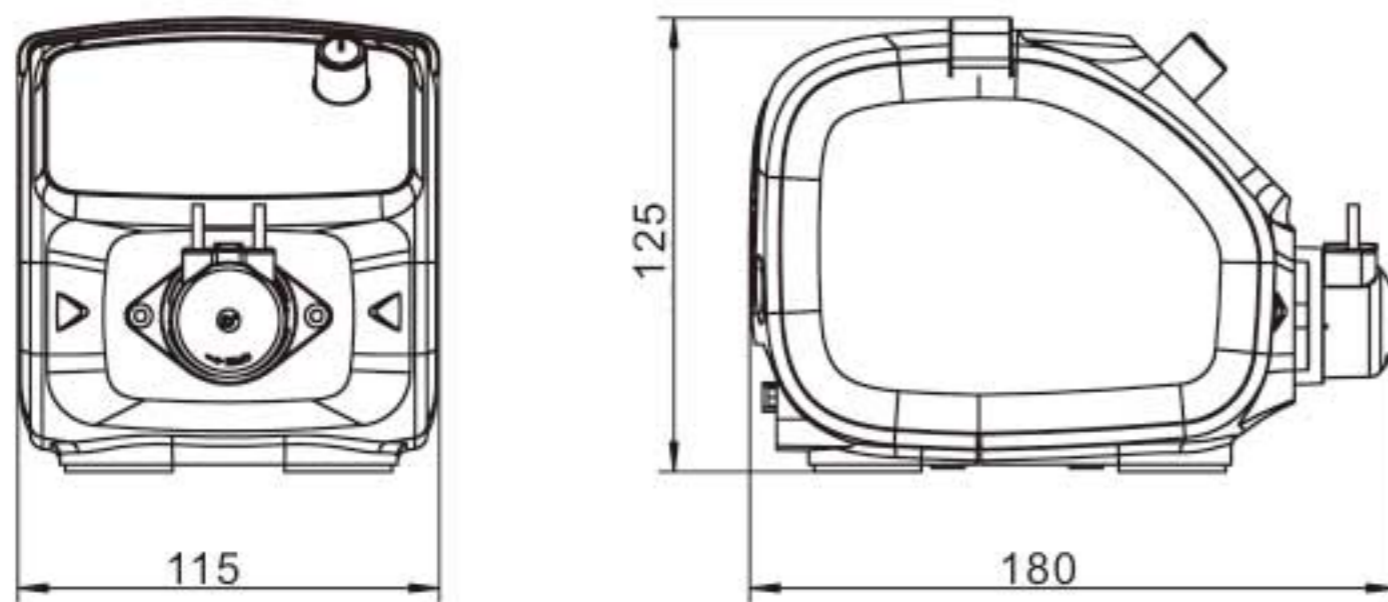
Product Introduction

- | ABS engineering plastic housing, anti-corrosion, anti-static.
- | OLED screen display motor speed, digital knob control speed.
- | Compact design, various external control.
- | Easy to observe the pump head and tubing working situation.

Product Features

- | Low power consumption, mute working.
- | Stable flow rate and suitable for continuous dosing applications.
- | Easy to replace long life PharMed tubing.
- | Digital knob control speed, memory back up, user setting saved if power lost.

Dimension Drawing (Unit: mm)



Color Selection



Technical Specifications

Flow rate range	0.004-63.96mL/min	External control	Start/stop direction control (switch signal) , 0-5V, 4-20mA (standard), 0-10V (optional)
Speed range	0.1-150rpm reversible		
Speed resolution	0.1rpm	Power adapter	Output: (12V/1A); Input: AC100V-240V, 50Hz/60Hz
Speed control	Digital knob		
Control method	Digital knob control and mechanical keypad	Dimension	180*115*125mm(L×W×H)
Keypad lifetime	300,000 times	Weight	0.8kg
Display	0.96" OLED display	Power consumption	<12W
Communication interface	USB connector, RS485 interface (MODBUS protocol, RTU mode)	Condition temperature	0-40°C
		Relative humidity	<80%

Product Composition and Flow Rate Range

Model	Pump Head	Speed(rpm)	Tubing Size (ID×Wall Thickness(mm))	Flow Rate Range (mL/min)
LabK	MicroPump	0.1-150	1*1	0.004-6.38
			2*1	0.014-21.45
			3*1	0.031-47.26
			4*1	0.042-63.96



Compact Peristaltic Pump



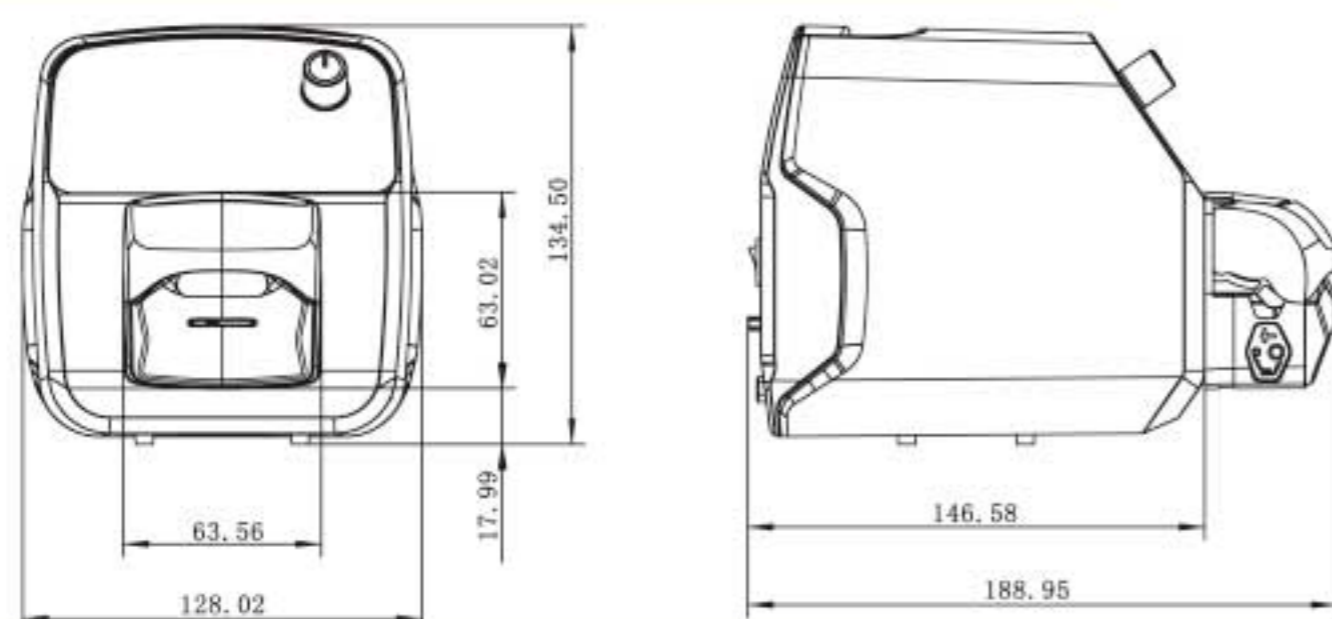
Product Introduction

- ABS engineering plastic housing, anti-corrosion, anti-static.
- OLED screen display motor speed, digital knob control speed.
- Compact design, various external control.
- Easy to observe the pump head and tubing working situation.

Product Features

- Low power consumption, mute working.
- Stable flow rate and suitable for continuous dosing applications.
- Easy to replace long life PharMed tubing.
- Digital knob control speed, memory back up, user setting saved if power lost.

Dimension Drawing (Unit: mm)



Pump Head



LabT/UD15



LabT/Minipump

Technical Specifications

Model	LabT/KT15	Display	0.96" OLED display
	LabT/MiniPump	Power adapter	Output: 24V/1.25A;
	LabT/UD15		Input: AC100V-240V, 50Hz/60Hz
Speed range	LabT/KT15: 0.1-350rpm	Communication interface	USB connector, RS485 interface (MODBUS protocol, RTU mode)
	LabT/MiniPump: 0.1-300rpm		
	LabT/UD15: 0.1-350rpm		
Speed resolution	0.1rpm	Dimension	189*128*135mm (L×W×H)
Control method	Digital knob control and mechanical keypad	Weight	1100g
External control	Start/stop direction control (switch signal) , 0-5V, 4-20mA (standard), 0-10V (optional)	Power consumption	< 15W
		Condition temperature	0-40°C
		Relative humidity	<80%

Product Composition and Flow Rate Range

Model	Pump Head	Speed(rpm)	Tubing Size	Flow Rate Range(mL/min)
LabT	KT15	0.1-350	13"	0.0033~11.55
			14"	0.0156~54.6
			19"	0.0286~100.10
			16"	0.0477~166.95
			25"	0.0933~326.55
	MiniPump01	0.1-300	13", 14", 19", 16", 25", 1×1, 2×1, 2.5×1, 3×1	0.0024~190
	MiniPump02		1×1, 2×1, 2.5×1, 3×1	0.005~108.39
	UD15	0.1-350	16", 17", 25"	0.08~930



Compact Peristaltic Pump

3 years warranty
ST-HandyPump

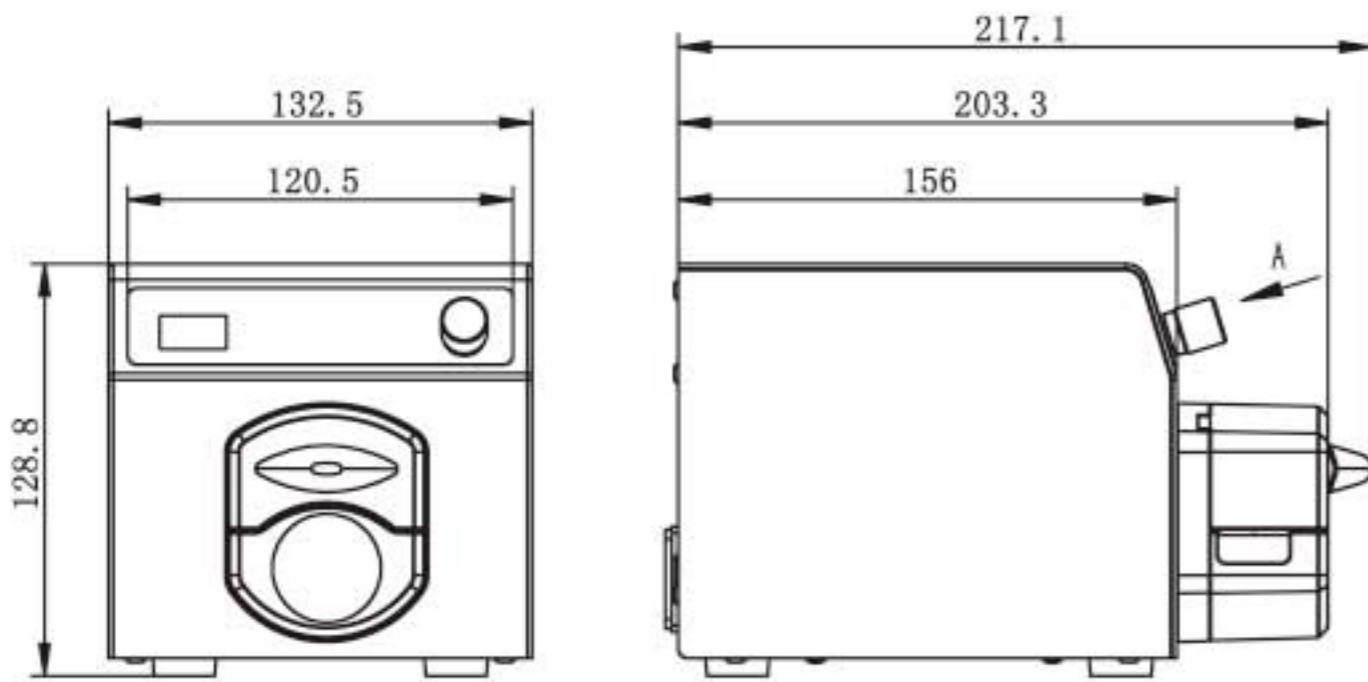


Product Features

- 304 stainless steel shell , resist corrosion. Can be stacked to use.
- Closed-loop stepper motor, compact structure, low noise, low vibration.
- OLED screen display working speed and status. Digital knob control speed, easy operation.
- Support RS232 and RS485 communication.
- Various external control interface.
- Wide voltage design, high versatility.

Model number | ST-HandyPump

Dimension Drawing (Unit: mm)



Pump Head



Technical Specifications

Flow rate range	0.0033~365.69mL/min	Power supply	Output: (24V/1.25A);
Speed range	0.1~300rpm		Input: AC100V-240V, 50Hz/60Hz
Speed resolution	0.1rpm	Communication interface	RS485, RS232
Control method	Digital knob control and mechanical keypad	Output interface	Output motor working status
Motor type	57 closed-loop stepper motor	Drive dimension	217.1*132.5*128.5mm(L*W*H)
Keypad lifetime	300,000 times	Weight	2.92Kg
Display	OLED display(0.96")	Power consumption	≤75W
External control	Start/stop control(switch signal)	Condition temperature	0-40°C
	Speed: 0-5V, 4-20mA(standard), 0-10V (optional)	Relative humidity	<80%

Product Composition and Flow Rate Range

Model	Pump Head	Speed(rpm)	Tubing Size	Flow Rate Range(mL/min)
ST-HandyPump	HandyPump01	0.1-300	13",14", 19", 16", 25"	0.0033-365.69
	HandyPump02		13",14", 19", 16"	0.0033-190.76



Compact Peristaltic Pump

3 years warranty

SP-MiniPump



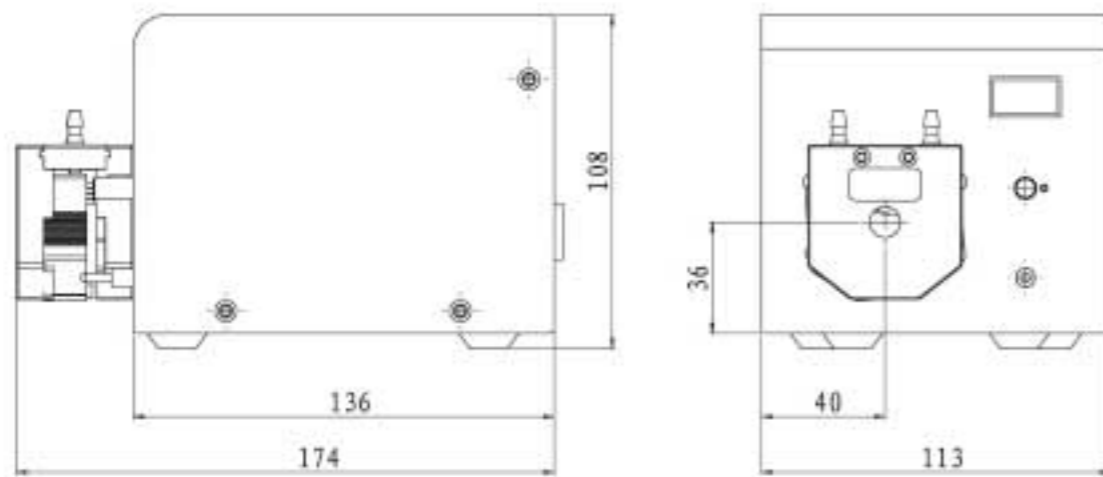
Features

- 304 stainless steel housing, resisting corrosion, space-saved.
- OLED screen, display the current motor speed and working status.
- Digital knob control speed, toggle switch control direction and start/stop.
- Various external control functions, support RS485 standard MODBUS protocol.

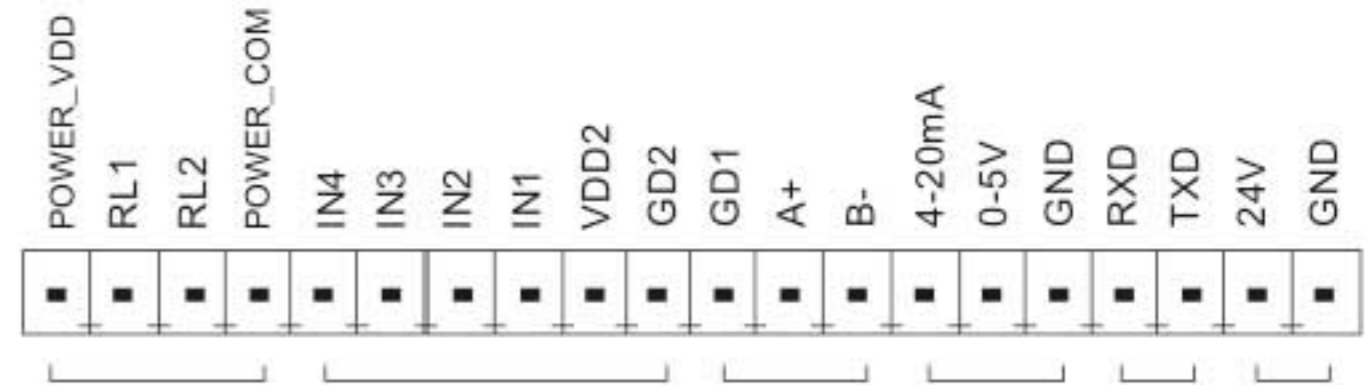
Model Number

- SP-MiniPump01, SP-MiniPump02

Dimension Drawing (Unit: mm)



External Control Schematic Diagram



Technical Specifications

Flow rate range	0.0024~190 mL/min	Communication interface	RS232, RS485 support MODBUS protocol (RTU mode)
Speed range	0.1~300 rpm	Power supply	24V/1.25A DC power
Speed resolution	0.1rpm	Drive dimension	136×113×108 mm (L×W×H)
Speed control	Digital knob control speed	Weight	1.64kg
Motor type	Stepper motor	Power consumption	< 30W
Display	OLED display	Condition temperature	0-40°C
External control	Start/Stop control (switch signal)	Relative humidity	< 80%
	0-5V, 4-20mA(standard), 0-10V(optional)		

SP-MiniPump Speed/Flow Rate Reference

Model	Pump Head	Speed(rpm)	Tubing Size	Per Channel Flow Rate Range(mL/min)
SP-MiniPump	MiniPump01	0.1-300	13 [#]	0.0024-8.28
			14 [#]	0.0112-33.88
			19 [#]	0.0252-77.23
			16 [#]	0.0394-114.31
			25 [#]	0.0652-190.00
	MiniPump01/ MiniPump02	0.1-300	1*1	0.005-15.01
			2*1	0.018-54.63
			2.5*1	0.0256-76.84
			3*1	0.0356-108.39



Flow Rates Peristaltic Pump

LabV/V Series

3 years warranty



Laboratory

Industrial equipment supporting

- Industrial grade 4.3" true color LCD screen, touch screen control.
- Dynamic display transferring status. Flow rate data, setting parameters and system configuration display in the same screen.
- 3 Kinds of working mode: fixed volume metering, fixed time and volume, timer start and stop, meet different transferring and dispensing request.
- Intelligent calibration function and online micro adjusting function.

Suitable Pump Head



EasyPump Series (Pressure Adjustable)



EasyPump Series (Fixed Pressure)

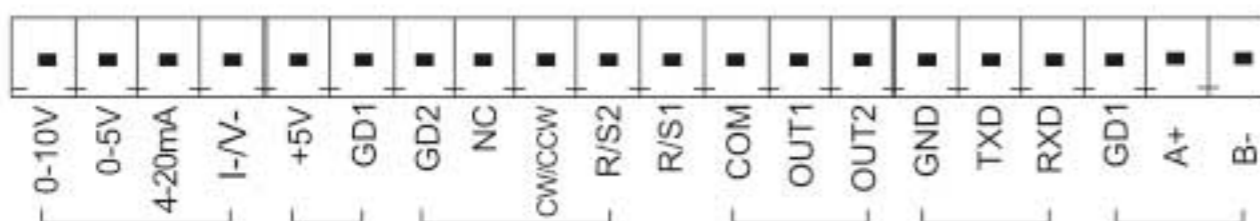


AMC Series



YZ Series

External Control Schematic Diagram



Flow Rates Peristaltic Pump

V1, V3, V6

3 years warranty



V1, V3, V6

Laboratory

Industrial equipment

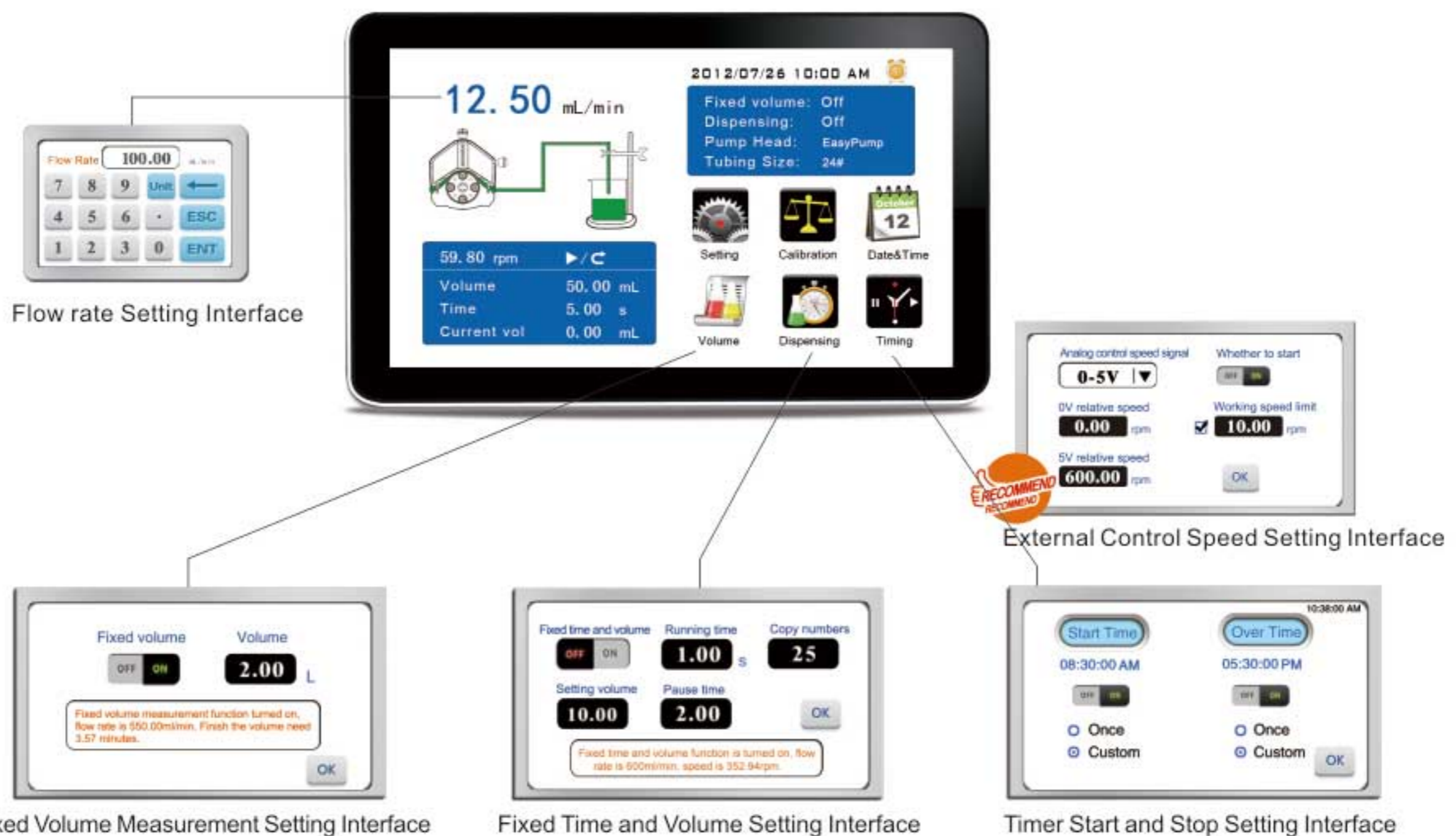


Technical Specifications

Flow rate range	LabV1-III: 0.0053~775 mL/min	External speed control signal	0-5V, 0-10V, 4-20mA for option
	LabV3-III: 0.0053~1808 mL/min		Start/stop, direction signal
	LabV6-III: 0.0053~3100 mL/min	Active switch signal: 5-24V universal	
	LabV1/ V1: 0.0002~570 mL/min	Communication interface	
	LabV3/ V3: 0.0002~1330 mL/min		Output interface
LabV6/ V6: 0.0002~2280 mL/min	0.1-600 rpm	Power supply	
Speed resolution	0.01 rpm		AC 110V±10% 50Hz/60Hz (optional)
Flow rate resolution	0.01 mL	Drive dimension (L×W×H)	LabV Series: 261.4×157.3×236.9 mm
Flow rate accuracy	<±0.5%		V Series: 252×152×243 mm
Back suction angle	0-360°	Drive weight	LabV Series: 4.40 kg
Motor type	LabV-III series: Closed-loop stepper motor		V Series: 4.20 kg
		LabV/V series: Stepper motor	Power consumption
Display	Industrial grade 4.3" LCD color display	Condition temperature	
Control method	Touch screen and Mechanical keypad		Relative humidity
Keypad lifetime	300,000 times		

Product Composition and Flow Rate Range

Flow Rates Peristaltic Pump		Pump Head & Flow Rate (mL/min)			
		New Generation Quick Load Type Pump Head			
Tubing		EasyPumpI/III	EasyPumpII/IV	EasyPumpV/VI(dual channel)	
Drive&speed		13", 14", 19", 16", 25", 17", 18"	15", 24", 35", 36"	13", 14", 19", 16", 25"	
LabV1-III	0.1-150 rpm	0.0053~645	0.18~775	0.0053~295	
LabV3-III	0.1-350 rpm	0.0053~1505	0.18~1808	0.0053~688	
LabV6-III	0.1-600 rpm	0.0053~2580	0.18~3100	0.0053~1180	
Tubing		YZ1515x	YZ2515x	AMC1~AMC12(10)	AMC1~AMC12(6)
Drive&speed		13", 14", 19", 16" 25", 17", 18"	15", 24"	Inner diameter: 0.13-3mm Wall thickness: 0.8-1mm	
LabV1/V1	0.1-150 rpm	0.007~570	0.17~435	0.0002-48(working speed≤150rpm)	0.0002-65(working speed≤150rpm)
LabV3/V3	0.1-350 rpm	0.007~1330	0.17~1015		
LabV6/V6	0.1-600 rpm	0.007~2280	0.17~1740		



Flow Rates Peristaltic Pump



Features

- Large flow rate, high precision, intelligent control of liquid transferring.
- Closed-loop stepper motor drive, accurate control, strong driving force.
- 304 stainless steel housing, the first choice for high level industrial sites.

Model Number

- V6-3L/EasyPump
- V6-3L/DZ25-3L
- V6-6L/DZ25-6L
- V6-12L/YZ35

Technical Specifications

Flow rate range	V6-3L: 0.0053~3600 mL/min V6-6L: 0.3~6000 mL/min V6-12L: 0.69~12000 mL/min	Start/stop,direction signal	Passive switch signal, such as foot pedal switch Active switch signal: 5-24V universal
Speed range	0.1-600 rpm	Communication interface	RS232, RS485 support MODBUS protocol (RTU mode)
Speed resolution	0.01 rpm	Output interface	Output motor working status (Open-Collector output)
Flow rate resolution	0.01 mL	Power supply	AC 220V±10% 50Hz/60Hz (standard) AC 110V±10% 50Hz/60Hz (optional)
Flow rate accuracy	<±0.5%	Drive dimension	V6-3L: 223×152×231mm V6-6L: 283×192×274mm V6-12L: 302×222×331mm
Back suction angle	0-360°	Drive weight	V6-3L: 5.02kg; V6-6L: 7.85kg; V6-12L: 13.14kg
Motor type	Closed-loop stepper motor	Power consumption	V6-3L: <80W ; V6-6L: <180W ; V6-12L: <300W
Display	Industrial grade 4.3" color LCD display	Environment temperature	0-40°C
Control method	Touch screen and Mechanical keypad	Relative humidity	< 80%
Keypad lifetime	300,000 times		
External speed control signal	0-5V,0-10V,4-20mA		

Product Composition and Flow Rate Range

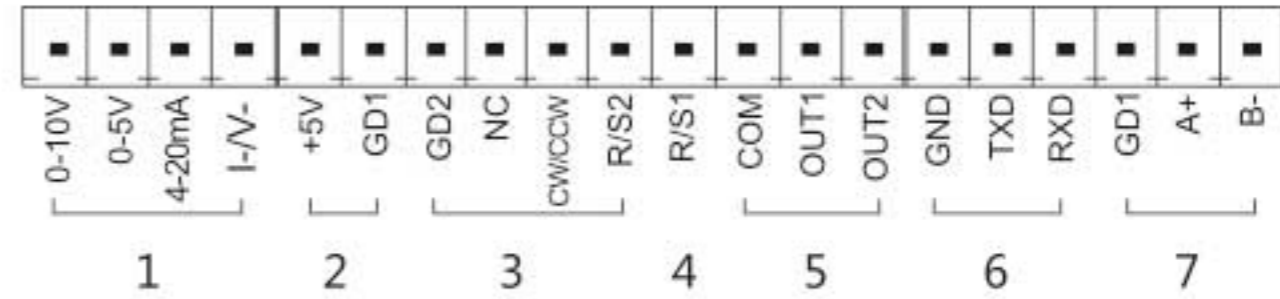
Drive	Motor Type	Pump Head	Tubing Size	Speed Range(rpm)	Flow Rate(mL/min)
V6-3L	Closed-loop stepper motor	EasyPump	13", 14", 19", 16", 25", 17" 18" / 15", 24", 35", 36"	0.1-600	0.0053~3100
V6-6L		DZ25-3L	15", 24", 35", 36"		0.211~3600
V6-6L		DZ25-6L	15", 24", 35", 36"		0.3~6000
V6-12L		YZ35	26", 73", 82"		0.69~12000



V Series peristaltic pump has various external control interface, can meet different equipment supporting requirements.

External control interface definition

1. Analog signal input port: Choose the external control speed signal from the external control setting interface. Turn on the external control speed function, control the motor speed range through the analog signal.
2. Internal isolation 5VDC output.
3. External control start/stop,direction signal input port: active signal input.
4. R/S1 external control start/stop signal input port: passive signal input.
5. Motor running status output port: output current running status of the motor.
6. RS232 communication interface: choose RS232 in communication setting interface, this port is effective.
7. RS485 communication interface: choose RS485 in communication setting interface, this port is effective.



V Series peristaltic pump external control setting interface.

Choose external control start/stop,direction signal

1. Can respectively set external control start/stop or reversing switch whether effective or not.
2. Can choose control mode according to requirement: pulse mode or level mode.
3. Can set the foot switch whether effective or not.
4. Can choose switch value signal 's high level values according to customers' main control equipment: 5-24V universal.



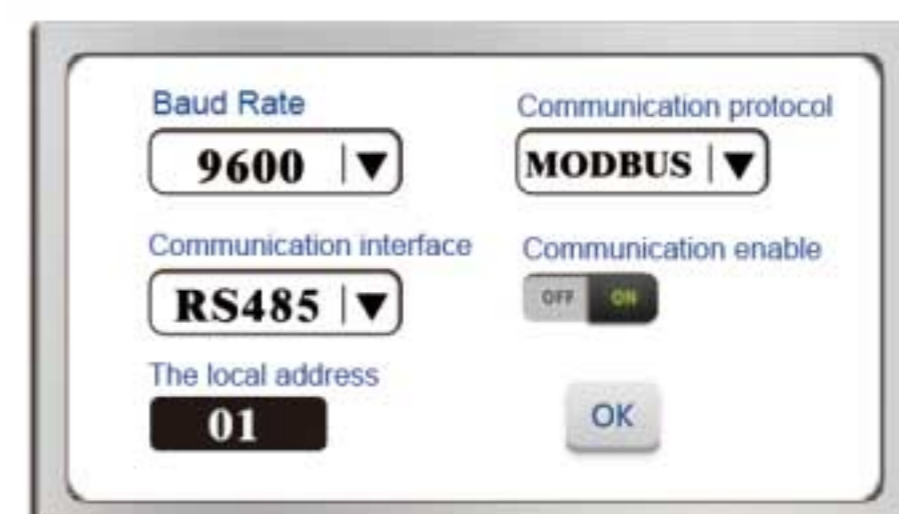
Programmable external control speed setting

1. Can choose analog signal source according to requirements: 0-5V, 0-10V, 4-20mA.
2. When the signal source is chosen, can choose maximum speed and minimum speed which corresponding to the signal source's maximum value and minimum value according to actual demand, to reach userdefined rotate speed range purpose.
3. Working speed limit is at the situation that the linear relation of analog quantity signal and rotating speed keeps invariant, set peristaltic pump's maximum working rotate speed. This setting can avoid production accident caused by sudden change of transfer fluid amount with the sudden change of external analog signal.

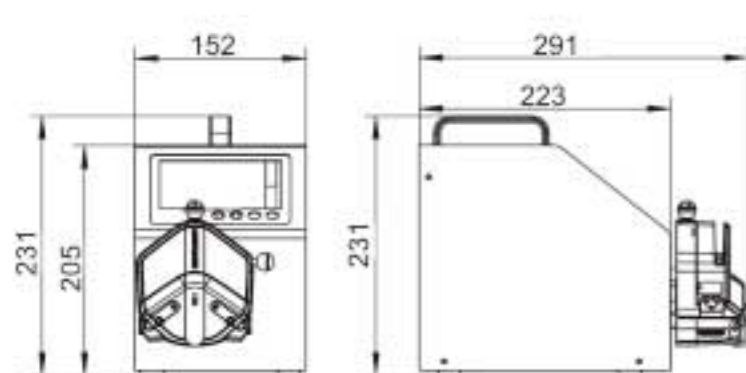


Communication setting

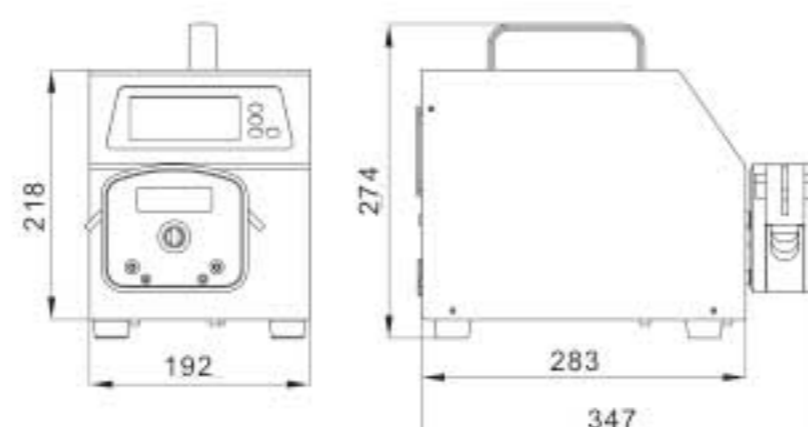
1. Support RS232 and RS485 interface, can be chosen in software interface.
2. Support various Baud rate : 2400bps, 4800bps, 9600bps, 19200bps.
3. Can choose standard modbus communication protocol or Shenchen communication protocol to control, modbus communication protocol is suitable to match with industrial site HMI, PLC or other upper computer which support standard modbus communication protocol; Shenchen communication protocol is suitable to match with single chip micro computer or upper computer on computer programme.



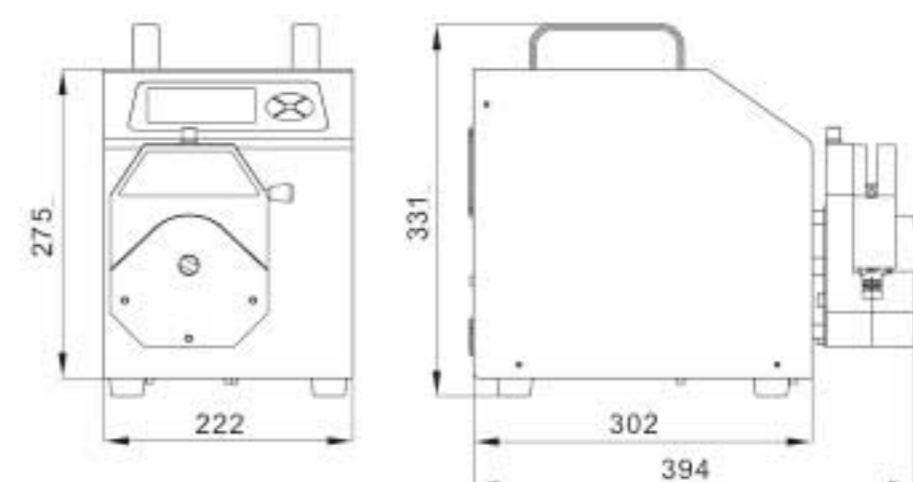
Dimension Drawing(Unit: mm)



V6-3L/EasyPump



V6-6L



V6-12L



Flow Rates Peristaltic Pump

LabN Series

3 years warranty



Suitable Pump Head



EasyPump Series (Pressure Adjustable)



EasyPump Series (Fixed Pressure)



AMC Series

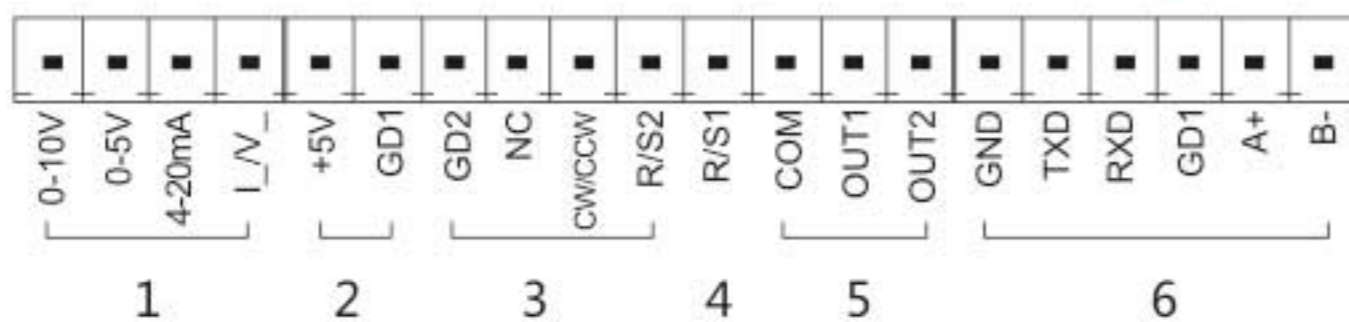


YZ Series

Typical Application

- Special for university laboratory and research institute.
- Ion chromatography and titrator
- Pilot scale and industry production

LabN Series External Control Schematic Diagram



Features

- | 3.2" color LCD screen display.
- | Flow rate and motor speed display in same screen.
- | Timing function, time range 0.1s-9999 hours, can be used for simple dispensing function.

Technical Specifications

Flow rate range	LabN1-III: 0.0053~775 mL/min	Start/stop, reversing signal	Passive switch signal, such as foot pedal	
	LabN3-III: 0.0053~1808 mL/min		Active switch signal: 5V-24V universal	
	LabN6-III: 0.0053~3100 mL/min		Communication interface	RS232, RS485 support Modbus protocol(RTU mode)
	LabN1: 0.0002~570 mL/min			
	LabN3: 0.0002~1330 mL/min			
	LabN6: 0.0002~2280 mL/min			
Speed resolution	0.1rpm	Output interface	Output motor working status (Open-Collector output)	
Back suction angle	0-360°			
Testing time range	0.1 s-9999 h	Power supply	AC 220V±10% 50Hz/60Hz (standard) AC 110V±10% 50Hz/60Hz (optional)	
Motor type	LabN-III series: Closed-loop stepper motor LabN series: Stepper motor			
Display	3.2" high definition LCD screen	Drive dimension	261.4×157.3×236.9mm	
Control method	Digital knob and Mechanical keypad	Drive weight	4.40 kg	
Keypad lifetime	300,000 times	Power consumption	<80W	
External speed control signal	0-5V, 0-10V, 4-20mA for option	Condition temperature	0-40°C	
		Relative humidity	< 80%	



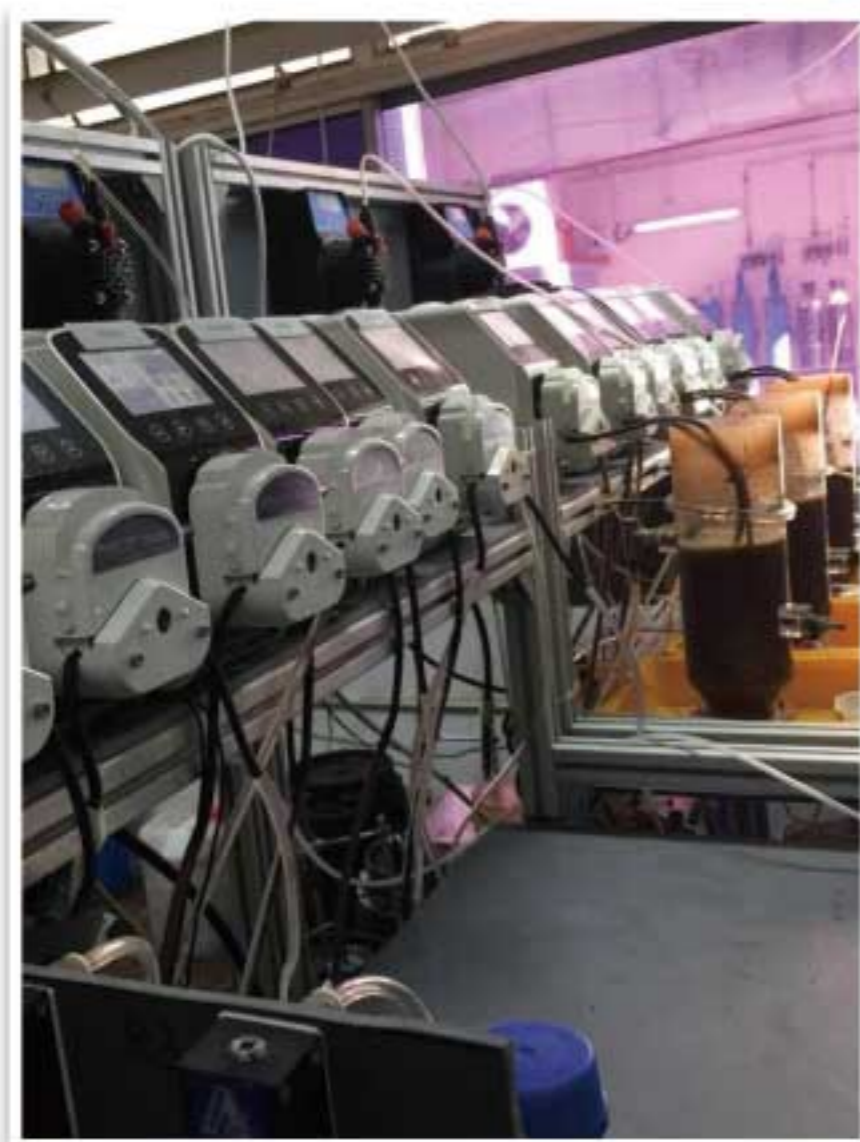
Product Composition and Flow Rate Range

Flow Rates Peristaltic Pump		Pump Head & Flow Rate (mL/min)			
		New Generation Quick Load Type Pump Head			
Drive&speed	Tubing	EasyPumpI/III	EasyPumpII/IV	EasyPumpV/VI(dual channel)	
				13", 14", 19", 16", 25", 17", 18"	15", 24", 35", 36"
LabN1-III	0.1-150 rpm	0.0053~645	0.18~775	0.0053~295	
LabN3-III	0.1-350 rpm	0.0053~1505	0.18~1808	0.0053~688	
LabN6-III	0.1-600 rpm	0.0053~2580	0.18~3100	0.0053~1180	
Drive&speed	Tubing	YZ1515x	YZ2515x	AMC1~AMC12(10)	AMC1~AMC12(6)
		13", 14", 19", 16" 25", 17", 18"	15", 24"	Inner diameter: 0.13-3mm Wall thickness: 0.8-1mm	
LabN1	0.1-150 rpm	0.007~570	0.17~435	0.0002-48(working speed≤150rpm)	0.0002-65(working speed≤150rpm)
LabN3	0.1-350 rpm	0.007~1330	0.17~1015		
LabN6	0.1-600 rpm	0.007~2280	0.17~1740		



LabN Series Interface and Keypad

Application



Flow Rates Peristaltic Pump

3 years warranty

upgrade



304
SS Housing

Features

- | 3.2" LCD display.
- | Ultra-quiet drive setting, precise control, small vibration and low noise.
- | Imported button control, menu interface, convenient for users to set various parameters at any time.
- | With timing dispensing function, various external control functions.

Model Number

- | N6-3L/EasyPump
- | N6-3L/DZ25-3L
- | N6-6L/DZ25-6L
- | N6-12L/YZ35

Technical Specifications

Flow rate range	N6-3L: 0.0053~3600 mL/min N6-6L: 0.3~6000 mL/min N6-12L: 0.69~12000 mL/min	Output interface	Output motor working status (Open-Collector output)
Speed range	0.1-600 rpm	Power supply	AC 220V±10% 50Hz/60Hz (standard) AC 110V±10% 50Hz/60Hz (optional)
Flow rate accuracy	< ±0.5%	Power consumption	N6-3L: <80W ; N6-6L: <180W ; N6-12L: <300W
Speed resolution	0.1rpm	Communication interface	RS232, RS485 support MODBUS protocol (RTU mode)
Dispensing Function	0.1s~9999h	Motor type	Closed-loop stepper motor
Back suction angle	0-360°	Drive dimension (L×W×H)	N6-3L: 223×152×230mm N6-6L: 283×192×264mm N6-12L: 302×222×321mm
Control method	Mechanical keypad+Digital knob	Drive weight	N6-3L: 5.06kg; N6-6L: 7.88kg; N6-12L: 13.01kg
Display	3.2" high definition LCD screen	Condition temperature	0-40°C
Start/stop, direction signal	Passive switch signal, such as foot pedal switch Active switch signal: 5V, 12V and 24V for option	Relative humidity	<80%
External speed control signal	0-5V,0-10V,4-20mA for option		

Product Composition and Flow Rate Range

Drive	Motor Type	Pump Head	Tubing Size	Speed Range(rpm)	Flow Rate(mL/min)
N6-3L	Closed-loop stepper motor	EasyPump	13", 14", 19", 16", 25", 17" 18" / 15", 24", 35", 36"	0.1-600	0.0053~3100
N6-6L		DZ25-3L	15", 24", 35", 36"		0.211~3600
N6-6L		DZ25-6L	15", 24", 35", 36"		0.3~6000
N6-12L		YZ35	26", 73", 82"		0.69~12000



Dispensing Peristaltic Pump

3 years warranty LabF/F Series



Suitable Pump Head



EasyPump Series (Pressure Adjustable)



EasyPump Series (Fixed Pressure)



AMC Series



YZ Series

Features

- Imported 4.3" industrial grade color LCD screen display, with touch screen control.
- Can preset dispensing volume, dispensing time, pause time and copy numbers.
- With intelligent calibration function and online micro adjusting function.
- The pump can store 60 commonly used filling modes.
- Back suction angle setting, avoid liquid drop off when the pump stops working.
- Two working mode: Volume dispensing and speed dispensing (special for viscous liquid)**
- Can communicate with balance, closed-loop control.

Typical Application

- Medicine and chemical dispensing, such as oral liquid, diagnostic reagents.
- Cosmetic dispensing, such as perfume, essential oil.



Accessories



- ① Filling Countersunk
- ② Filling Nozzle
- ③ Foot Pedal Switch

Dispensing Peristaltic Pump

F1, F3, F6

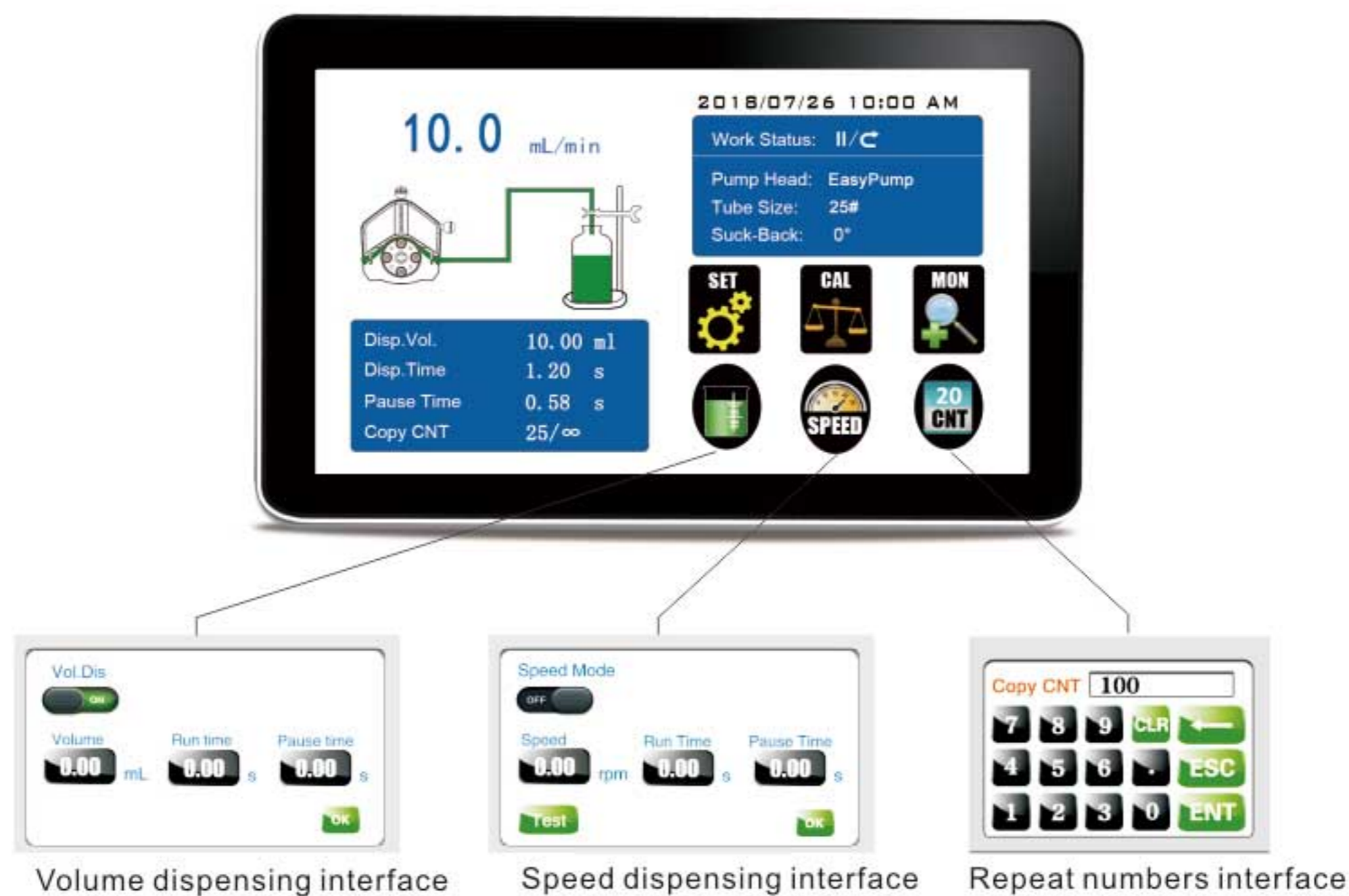
3 years warranty



Technical Specifications			
Flow rate range	LabF1-III: 0.0053~775 mL/min	Display	Industrial grade 4.3" color LCD display
	LabF3-III: 0.0053~1808 mL/min		
	LabF6-III: 0.0053~3100 mL/min	Control method	Touch screen and Mechanical keypad
	LabF1/F1: 0.0002~570 mL/min	Keypad lifetime	300,000 times
	LabF3/F3: 0.0002~1330 mL/min	Start/stop, direction signal	Passive switch signal, such as foot pedal switch; Active switch signal: 5-24V universal
	LabF6/F6: 0.0002~2280 mL/min		
Speed range	0.1-600rpm	Output interface	Output motor working status (Open-Collector output)
Speed resolution	0.01rpm		
Dispensing volume range	0.1-9999.99mL	Communication interface	RS232, RS485 Modbus protocol (RTU mode)
Dispensing volume resolution	0.01mL		
Dispensing time	0.1-9999.99s	Power supply	AC 220V±10% 50Hz/60Hz (Standard) AC 110V±10% 50Hz/60Hz (Optional)
Pause time	0.1-9999.99s		
Time resolution	0.01s	Drive dimension (L×W×H)	LabF Series: 261.4×157.3×236.9 mm F Series: 252×152×243 mm
Copy numbers	1-9999 times, setting '0' means unlimited	Drive weight	LabF Series: 4.40 kg F Series: 4.20 kg
Back suction angle	0-360°		
Dispensing accuracy	< ±0.5%	Power consumption	< 80W
Motor type	LabF-III series: Closed-loop stepper motor	Condition temperature	0-40°C
	LabF/F series: Stepper motor	Relative humidity	< 80%

Product Composition and Flow Rate Range					
Flow Rates Peristaltic Pump		Pump Head & Flow Rate (mL/min)			
		New Generation Quick Load Type Pump Head			
Tubing		EasyPumpI/III	EasyPumpII/IV	EasyPumpV/VI(dual channel)	
Drive&speed		13#, 14#, 19#, 16#, 25#, 17#, 18#	15#, 24#, 35#, 36#	13#, 14#, 19#, 16#, 25#	
LabF1-III	0.1-150 rpm	0.0053~645	0.18~775	0.0053~295	
LabF3-III	0.1-350 rpm	0.0053~1505	0.18~1808	0.0053~688	
LabF6-III	0.1-600 rpm	0.0053~2580	0.18~3100	0.0053~1180	
Tubing		YZ1515x	YZ2515x	AMC1~AMC12(10)	AMC1~AMC12(6)
Drive&speed		13#, 14#, 19#, 16# 25#, 17#, 18#	15#, 24#	Inner diameter: 0.13-3mm Wall thickness: 0.8-1mm	
LabF1/F1	0.1-150 rpm	0.007~570	0.17~435	0.0002-48(working speed≤150rpm)	0.0002-65(working speed≤150rpm)
LabF3/F3	0.1-350 rpm	0.007~1330	0.17~1015		
LabF6/F6	0.1-600 rpm	0.007~2280	0.17~1740		





Experimental conditions: standard atmospheric pressure, room temperature at 20°C, the liquid is pure water, no pressure, no suction and lift.

Note: Actually, it is affected by many factors such as transmission medium, inlet and outlet pressure, hose material and error, working environment, etc. This data is for reference only.

LabF6-III/LabF6/F6 Filling Volume Reference Parameter (Media is water)

Drive	Pump Head	Tubing	Filling Volume (mL)	Filling Time(s)	Filling Accuracy (±%)	Output(pcs/min)	Motor Speed(rpm)
LabF6-III	EasyPump	13 [#]	0.4	1.2	0.8	27	377.36
		13 [#]	1	2.5	0.5	17	452.83
		14 [#]	2	1	0.5	30	444.44
		19 [#]	5	1.2	0.5	27	454.55
		16 [#]	7	1	0.5	30	450.16
		25 [#]	10	0.8	0.8	33	381.29
		25 [#]	15	1	0.5	30	457.55
		25 [#]	20	1.5	0.5	24	406.71
		17 [#]	30	1.2	0.5	27	450.05
		18 [#]	50	1.5	0.5	24	465.12
		15 [#]	15	1.2	0.5	27	416.67
		24 [#]	20	1.2	0.5	27	365.90
		35 [#]	30	1.2	0.5	27	391.34
		36 [#]	50	1.5	0.5	24	387.07
	2*EasyPump	13 [#]	0.5	0.8	0.8	33	353.77
		13 [#]	1	1.2	0.5	27	471.70
		14 [#]	2	0.6	1	38	370.37
		14 [#]	5	1.5	0.5	24	370.37
		19 [#]	10	1.2	0.5	27	454.55
		16 [#]	15	1.2	0.5	27	401.93
		16 [#]	20	1.5	0.5	24	428.72
		25 [#]	30	1	0.5	30	457.55
		17 [#]	50	1	0.5	30	450.05
		18 [#]	70	1	0.5	30	488.37
		15 [#]	30	1.2	0.5	27	416.67
		24 [#]	50	1.2	0.5	27	457.37
35 [#]	70	1.2	0.5	27	456.56		
36 [#]	100	1.5	0.5	24	387.07		



Dispensing Peristaltic Pump

3 years warranty



Features

- Suitable for large flow rate, high efficiency, high precision filling.
- Closed-loop stepper motor drive, accurate control, strong driving force.
- 304 stainless steel drive housing can support the filling line.
- Two working mode: Volume dispensing and speed dispensing (special for viscous liquid filling)

Model Number

- F6-3L/EasyPump
- F6-3L/DZ25-3L
- F6-6L/DZ25-6L
- F6-12L/YZ35

Technical Specifications

Flow rate range	F6-3L: 0.0053~3600 mL/min F6-6L: 0.3~6000 mL/min F6-12L: 0.69~12000 mL/min	Keypad lifetime	300,000 times
Speed range	0.1-600 rpm	Start/stop, direction signal	Passive switch signal, such as foot pedal switch Active switch signal: 5-24V universal
Speed resolution	0.01 rpm	Output interface	Output motor working status (Open-Collector output)
Dispensing volume range	0.1-9999.99 mL	Communication interface	RS232, RS485 support Modbus protocol (RTU mode)
Dispensing volume resolution	0.01 mL	Power supply	AC 220V±10% 50Hz/60Hz (Standard) AC 110V±10% 50Hz/60Hz (Optional)
Dispensing time	0.1-9999.99 s	Drive dimension	F6-3L: 223×152×231mm F6-6L: 283×192×274mm F6-12L: 302×222×331mm
Pause time	0.1-9999.99 s	Drive weight	F6-3L: 5.02kg; F6-6L: 7.85kg; F6-12L:13.14kg;
Time resolution	0.01 s	Power consumption	F6-3L:<80W ; F6-6L:<180W ; F6-12L:<300W
Copy numbers	1-9999 times, setting '0' means unlimited	Condition temperature	0-40°C
Back suction angle	0-360°	Relative humidity	<80%
Dispensing accuracy	<±0.5%		
Motor type	Closed-loop stepper motor		
Display	Industrial grade 4.3" color LCD display		
Control method	Touch screen and Mechanical keypad		

Product Composition and Flow Rate Range

Drive	Motor Type	Pump Head	Tubing Size	Speed Range(rpm)	Flow Rate(mL/min)
F6-3L	Closed-loop stepper motor	EasyPump	13", 14", 19", 16", 25", 17" 18"/ 15", 24", 35", 36"	0.1-600	0.0053~3100
F6-6L		DZ25-3L	15", 24", 35", 36"		0.211~3600
F6-6L		DZ25-6L	15", 24", 35", 36"		0.3~6000
F6-12L		YZ35	26", 73", 82"		0.69~12000



Experimental conditions: standard atmospheric pressure, room temperature at 20°C, the liquid is pure water, no pressure, no suction and lift.

Note: Actually, it is affected by many factors such as transmission medium, inlet and outlet pressure, hose material and error, working environment, etc. This data is for reference only.

F6-3L/6L/12L Filling Volume Reference Parameter(Media is water)								
Drive	Pump Head	Tubing	Filling Volume (mL)	Filling Time(s)	Filling Accuracy (±%)	Output(pcs/min)	Motor Speed(rpm)	
F6-3L	EasyPump	13 [#]	0.4	1.2	0.8	27	377.36	
		13 [#]	1	2.5	0.5	17	452.83	
		14 [#]	2	1	0.5	30	444.44	
		19 [#]	5	1.2	0.5	27	454.55	
		16 [#]	7	1	0.5	30	450.16	
		25 [#]	10	0.8	0.8	33	381.29	
		25 [#]	15	1	0.5	30	457.55	
		25 [#]	20	1.5	0.5	24	406.71	
		17 [#]	30	1.2	0.5	27	450.05	
		18 [#]	50	1.5	0.5	24	465.12	
		15 [#]	15	1.2	0.5	27	416.67	
		24 [#]	20	1.2	0.5	27	365.90	
		35 [#]	30	1.2	0.5	27	391.34	
		36 [#]	50	1.5	0.5	24	387.07	
	2*EasyPump	13 [#]	0.5	0.8	0.8	33	353.77	
		13 [#]	1	1.2	0.5	27	471.70	
		14 [#]	2	0.6	1	38	370.37	
		14 [#]	5	1.5	0.5	24	370.37	
		19 [#]	10	1.2	0.5	27	454.55	
		16 [#]	15	1.2	0.5	27	401.93	
		16 [#]	20	1.5	0.5	24	428.72	
		25 [#]	30	1	0.5	30	457.55	
		17 [#]	50	1	0.5	30	450.05	
		18 [#]	70	1	0.5	30	488.37	
		15 [#]	30	1.2	0.5	27	416.67	
		24 [#]	50	1.2	0.5	27	457.37	
		35 [#]	70	1.2	0.5	27	456.56	
		36 [#]	100	1.5	0.5	24	387.07	
	DZ25-3L	15 [#]	16	1	0.5	30	443.54	
		24 [#]	30	1.2	1	27	454.88	
		35 [#]	150	4	0.6	12	447.94	
		36 [#]	200	4	0.6	12	481.80	
	F6-6L	DZ25-6L	15 [#]	30	1.2	0.5	27	500.00
			24 [#]	50	1.2	0.5	27	454.55
			35 [#]	70	1.2	0.5	27	437.50
			36 [#]	100	1.5	0.5	24	400.00
F6-12L	YZ35	26 [#]	50	1	0.5	30	434.78	
		26 [#]	100	2	0.5	20	434.78	
		73 [#]	100	1.2	0.5	27	406.50	
		73 [#]	150	2	0.5	20	365.85	
	82 [#]	200	1.5	0.5	24	400.00		
	2*YZ35	73 [#]	100	1.2	0.5	27	203.25	
		73 [#]	200	1.5	0.5	24	325.20	
82 [#]		500	2	0.5	20	375.00		



F6 Series Filling Accuracy Reference Parameter(Media is water)

Drive	Pump Head	Tubing	Filling Volume	Filling Time	Actual Filling Volume(mL)										Filling Accuracy	
F6-3L	EasyPump I/III	13'	0.1mL	0.5s	0.1015	0.1013	0.1003	0.1013	0.1018	0.1004	0.1009	0.1014	0.1012	0.1008	-0.10%	1.80%
					0.1016	0.1013	0.1005	0.1016	0.1015	0.0999	0.1016	0.1016	0.0999	0.1016		
		13'	0.5mL	1.2s	0.5000	0.4996	0.5022	0.5011	0.4977	0.5018	0.5007	0.5005	0.4980	0.5017	-0.46%	0.44%
					0.5011	0.5001	0.4996	0.5014	0.5007	0.4983	0.5004	0.5005	0.5002	0.4978		
		13'	1mL	2.5s	1.0027	0.9996	0.9984	1.0044	1.0001	0.9980	1.0020	1.0025	0.9998	1.0000	-0.20%	0.44%
					1.0037	1.0008	0.9996	1.0017	1.0010	0.9998	0.9992	1.0039	1.0006	0.9997		
		14'	2mL	1s	2.0038	2.0023	1.9993	1.9979	1.9966	1.9960	1.9958	1.9957	1.9952	1.9948	-0.30%	0.19%
					1.9940	1.9993	1.9966	1.9971	1.9969	1.9973	1.9976	1.9982	1.9992	1.9984		
		19'	5mL	1.2s	5.0057	5.0045	5.0027	4.9994	4.9953	4.9896	5.0007	5.0100	5.0114	5.0090	-0.21%	0.27%
					5.0034	5.0059	5.0075	4.9967	4.9900	4.9976	5.0136	5.0091	5.0064	5.0060		
		16'	7mL	1s	7.00	7.02	7.02	7.03	7.00	7.01	6.99	7.00	6.99	6.99	-0.29%	0.43%
					6.98	6.99	7.00	7.02	7.02	7.01	7.03	7.02	7.01	6.98		
		25'	10mL	1s	10.02	10.03	10.05	10.04	10.02	10.04	10.01	10.01	10.02	10.01	-0.10%	0.50%
					10.01	10.01	10.00	10.00	10.00	10.00	10.00	9.99	10.01	10.01		
25'	20mL	1.2s	20.04	20.06	19.98	19.96	19.98	20.07	20.08	20.10	20.02	19.96	-0.30%	0.50%		
			19.94	20.04	20.08	20.07	20.05	19.98	19.96	19.98	20.05	20.09				
17'	30mL	1.2s	30.15	30.07	29.96	30.19	30.16	30.04	29.89	30.19	30.15	30.00	-0.37%	0.70%		
			30.08	30.21	30.20	29.93	30.14	30.20	30.06	29.98	30.18	30.21				
17'	50mL	2s	50.14	50.04	50.28	49.98	50.22	49.88	50.23	50.14	49.98	50.23	-0.24%	0.56%		
			49.98	50.14	50.13	49.99	50.27	50.17	49.98	50.28	49.98	50.20				
18'	80mL	2.5s	80.05	80.27	80.32	80.05	80.37	79.99	80.31	80.13	80.42	80.08	-0.37%	0.53%		
			80.21	80.24	80.03	80.40	80.00	80.36	80.00	80.33	79.70	80.14				
18'	100mL	3s	100.22	100.14	100.05	100.03	99.90	99.85	100.03	100.07	99.99	100.05	-0.28%	0.22%		
			99.79	99.92	99.82	99.72	99.86	100.00	99.96	100.02	99.97	99.90				
F6-3L	EasyPump II/IV	15'	16mL	1s	16.05	15.98	16.03	16.02	15.96	16.08	15.92	16.12	15.86	16.13	-0.69%	0.81%
					15.94	16.07	15.99	16.01	16.04	15.94	16.09	15.91	16.12	15.90		
		15'	20mL	1.2s	19.91	19.92	20.00	20.02	20.02	20.02	20.00	20.02	19.98	19.97	-0.45%	0.10%
					19.94	19.91	19.94	20.00	20.01	20.02	20.00	20.01	19.99	19.97		
		24'	30mL	1.2s	30.05	30.03	30.04	30.06	30.06	30.05	29.92	29.97	30.08	30.06	-0.27%	0.27%
					29.97	30.03	29.99	30.01	30.02	30.04	30.00	29.99	29.99	30.05		
24'	50mL	2s	50.09	50.04	49.84	50.15	50.08	50.07	49.78	50.18	50.14	49.97	-0.44%	0.36%		
			49.86	50.17	50.14	49.96	49.88	50.16	50.07	49.98	49.86	50.16				
35'	150mL	4s	149.79	150.15	149.75	150.21	149.77	150.08	149.92	150.06	150.07	149.85	-0.36%	0.14%		
			149.88	149.46	150.03	149.59	149.97	149.62	149.93	149.81	149.82	149.91				
36'	200mL	4s	200.22	200.07	200.15	200.26	200.20	200.20	199.94	200.13	200.02	200.22	-0.16%	0.13%		
			200.10	200.12	200.11	200.12	199.79	199.68	199.93	200.11	200.10	200.03				
F6-3L	DZ25-3L	15'	16mL	1s	15.97	15.97	16.00	16.06	15.97	15.92	15.96	16.02	16.01	15.97	-0.50%	0.50%
					15.98	16.00	16.04	16.08	15.92	15.95	16.01	16.01	15.97	15.97		
		24'	30mL	1.2s	29.98	30.12	30.20	30.29	30.06	29.94	30.11	30.18	30.02	29.99	-0.20%	1.00%
					30.23	30.24	30.12	29.99	30.12	30.23	30.20	30.30	30.19	30.11		
35'	150mL	4s	149.50	149.50	150.10	150.00	149.80	149.00	149.70	149.50	150.10	149.60	-0.15%	0.60%		
			149.00	149.90	149.70	149.10	149.50	150.00	150.10	150.10	149.60	149.40				
36'	200mL	4s	199.70	200.30	200.10	200.30	200.00	200.00	200.70	200.80	200.70	200.40	-0.67%	0.07%		
			200.30	200.00	200.30	200.80	200.90	200.70	200.80	200.40	200.50	200.20				
F6-6L	DZ25-6L	15'	80mL	4s	80.2	80.0	80.3	80.2	80.1	80.1	80.2	80.1	80.2	80.1	-0.125%	0.375%
					80.1	79.9	80.1	79.9	80.0	80.1	19.9	80.1	80.1	80.0		
		24'	150mL	4s	149.9	150.2	150.0	150.1	150.0	150.3	150.0	150.1	150.3	150.0	-0.067%	0.200%
					149.9	150.1	150.0	150.0	150.1	150.0	150.1	149.9	150.2	150.2		
35'	200mL	3.5s	199.7	199.9	200.2	200.2	200.2	199.6	199.8	199.8	200.1	199.9	-0.400%	0.100%		
			199.5	199.2	199.5	199.9	199.5	199.3	199.8	199.3	199.6	199.9				
36'	300mL	3.5s	300.4	300.1	300.3	300.3	300.4	300.1	300.3	300.4	300.6	300.2	-0.167%	0.200%		
			300.2	300.0	300.1	300.2	300.2	299.9	299.5	300.5	300.5	300.6				
F6-12L	YZ35	26'	150mL	3s	149.3	150.3	149.6	150.2	150.5	150.1	150.5	150.1	150.5	150.0	-0.47%	0.33%
					150.4	149.9	150.4	150.0	150.3	149.8	150.3	149.9	150.4	150.0		
		73'	300mL	3s	299.9	299.8	300.0	300.1	300.4	300.2	300.4	300.4	300.6	300.5	-0.07%	0.27%
300.8	300.6				300.5	300.5	300.5	300.6	300.7	300.5	300.6	300.6				
82'	500mL	3s	500.0	497.8	499.7	498.3	498.4	499.5	498.2	499.7	499.2	498.4	-0.44%	0.38%		
			499.5	498.3	501.5	501.9	500.0	501.8	501.1	500.5	501.6	499.6				



Low Pulsation Dispensing Peristaltic Pump

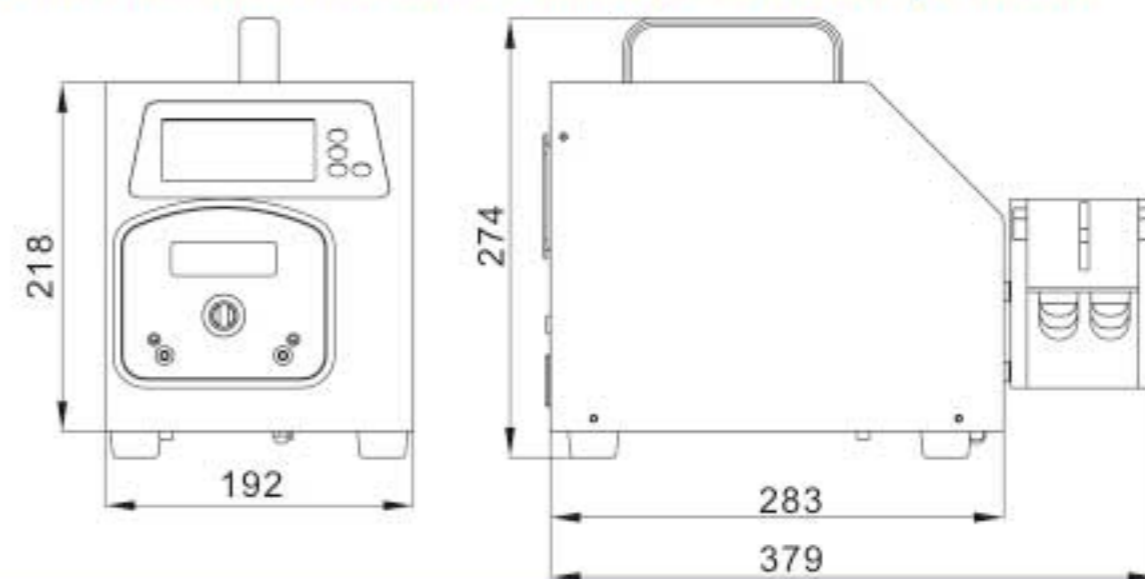
3 years warranty

IF3

304
SS Housing

Features

- Closed-loop stepper motor drive, high precision, low pulsation dispensing peristaltic pump.
- The low pulsation pump head is special for high precision filling. Through the phase difference between the two sets of rollers, make the fluid peaks and valleys complementary, then reduce the pulsation of the fluid.
- Adaptive pressure tubing space, extend the tubing lifetime effectively.
- Achieving high precision dispensing of micro flow rate.
- New flow rate mode, can be used for continuous transferring.
- Can communicate with balance, closed-loop control.



Model Number | IF3

Dimension Drawing (Unit: mm)

Product Composition and Flow Rate Range

Drive	Motor Type	Pump Head	Tubing	Speed Range(rpm)	Flow Rate(mL/min)
IF3	Closed-loop stepper motor	DY15	13°, 14°, 19°, 16°, 25°, 17°, 18°	0.1-350	0.01~3337
		DY25	15°, 24°, 35°, 36°		0.42~4340

Experimental conditions: standard atmospheric pressure, room temperature at 20°C, the liquid is pure water, no pressure, no suction and lift.

Note: Actually, it is affected by many factors such as transmission medium, inlet and outlet pressure, hose material and error, working environment, etc. This data is for reference only.

Filling Volume Reference Parameter(Media is water)

Tubing	Filling Volume	Filling Time	Actual Filling Volume(mL)										Filling Accuracy	
14°	0.5mL	0.5s	0.5003	0.5010	0.4982	0.5015	0.5015	0.5010	0.5014	0.5005	0.4981	0.4998	-0.37%	0.32%
			0.5025	0.4983	0.5024	0.5021	0.5020	0.5004	0.5005	0.4997	0.4977	0.5008		
14°	1mL	1s	1.0037	1.0000	1.0026	1.0003	1.0031	1.0015	1.0000	1.0007	1.0023	1.0035	-0.44%	0.42%
			1.0002	1.0020	0.9968	1.0010	0.9986	1.0026	1.0030	1.0029	1.0023	1.0017		
14°	2mL	1s	2.0020	2.0060	2.0039	2.0037	2.0047	1.9944	2.0062	2.0040	1.9951	2.0060	-0.58%	0.60%
			2.0036	1.9940	2.0024	2.0086	1.9946	2.0005	1.9951	2.0068	1.9971	1.9965		
19°	3mL	1s	3.0058	2.9935	3.0092	3.0008	2.9927	3.0072	3.0046	2.9914	3.0040	3.0000	-0.33%	0.31%
			2.9902	3.0048	3.0008	2.9919	2.9984	3.0012	3.0084	2.9915	2.9990	3.0051		
16°	5mL	1s	5.0215	4.9982	5.0145	5.0038	4.9864	5.0183	4.9962	5.0227	5.0158	4.9806	-0.39%	0.50%
			5.0248	5.0070	4.9861	5.0108	4.9995	5.0080	5.0044	4.9868	5.0231	4.9977		
25°	10mL	1s	10.02	10.04	10.00	9.98	10.02	10.03	10.04	10.04	10.01	9.99	-0.20%	0.40%
			10.00	10.02	10.02	10.04	9.99	9.98	10.00	10.04	10.02	10.03		
25°	15mL	1s	15.02	14.97	14.97	14.94	15.00	15.00	14.94	14.95	14.96	14.99	-0.47%	0.13%
			14.96	14.95	14.96	14.99	14.98	14.94	14.93	14.93	14.98	14.96		
17°	30mL	1s	29.92	30.01	29.99	29.91	29.83	29.86	29.91	29.91	29.91	29.89	-0.57%	0.20%
			29.88	29.96	30.03	30.06	30.02	30.02	30.06	29.96	29.96	29.83		
18°	100mL	2.5s	99.80	99.90	99.80	99.90	100.00	100.10	100.10	100.00	100.10	100.00	-0.20%	0.30%
			99.80	100.00	100.10	100.20	99.90	100.10	100.00	100.30	100.10	100.10		
15°	10mL	1s	9.97	10.01	9.96	9.98	10.01	9.96	9.97	9.99	9.96	9.96	-0.60%	0.10%
			10.00	9.94	9.97	10.00	9.96	9.97	10.00	10.00	10.01	9.97		
24°	30mL	1s	29.90	29.80	30.10	29.90	29.90	30.00	29.90	29.90	30.00	29.90	-0.67%	0.33%
			29.90	29.90	29.90	29.90	29.90	29.80	30.00	29.90	29.90	30.00		
35°	70mL	1.2s	69.80	69.90	69.90	69.90	69.70	70.10	70.00	69.70	69.90	69.90	-0.43%	0.43%
			69.90	70.10	70.00	69.90	70.30	69.70	70.10	69.70	69.70	69.90		
36°	100mL	2s	99.80	99.90	99.80	99.80	100.00	99.90	99.90	99.90	99.90	99.90	-0.20%	0.10%
			99.80	99.90	99.90	99.90	100.00	100.10	99.80	100.10	99.90	99.90		



Desktop Filling System

3 years warranty



KF300 Plus/4KFU1 Plus/Minipump

3 years warranty



KF300 Plus/4KFU3 Plus/Handypump

3 years warranty



KF300 Plus/4KFU2 Plus/KT15

Features

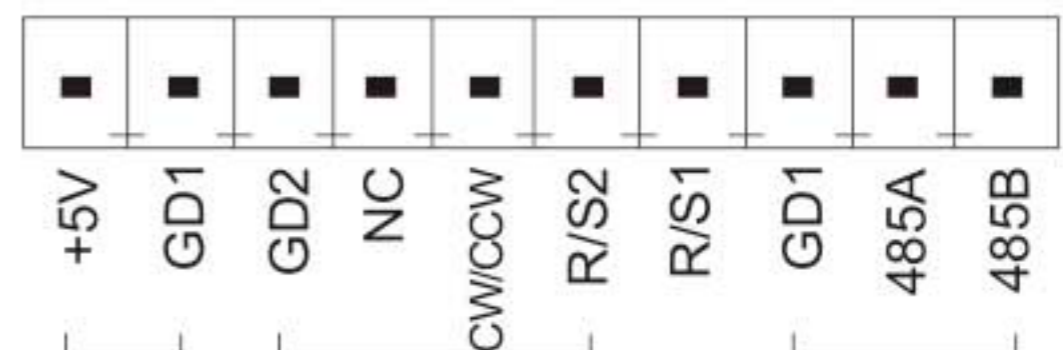
- Integrated design, a controller can control 1-32 units.
- Compact structure, compact size, beautiful appearance and saving space
- Suitable for high precision micro liquids filling in laboratory.

Model Number | KF300 Plus Series

Typical Application

- Laboratory liquid distribution
- Diagnostic reagent components
- Medium dispensing

External Control Schematic Diagram



Technical Specifications			
Speed range	KF300 Plus/4KFU1 Plus/Minipump:0.1-300 rpm	Keypad lifetime	300,000 times
	KF300 Plus/4KFU3 Plus/Handypump:0.1-300 rpm	Control mode	Touch screen and Mechanical keypad
	KF300 Plus/4KFU2 Plus/KT15:0.1-350 rpm	Start/stop, direction signal	Passive switch signal, such as :foot pedal switch; Active switch signal, 5-24V universal
Filling volume	0.01-9999.99 ml		
Dispensing time	0.1-9999.99 s	Output interface	Output motor working status (Open-collector output)
Interval time	0.1-9999.99 s		
Volume resolution	0.01 ml	Communication interface	RS485 support Modbus protocol (RTU mode)
Time resolution	0.01 s		
Copy numbers	1-9999 times,0 represent unlimited	Power supply	AC 100V-240V(50Hz/60Hz)
Back suction angle	0-3600°		
Filling accuracy	<±0.5%	Condition Temperature	0-40°C
Filling units	1-32 units	Relative humidity	<80%
Display	4.3"Industrial grade –color LCD display		

Experimental conditions:standard atmospheric pressure, room temperature at 20°C,the liquid is pure water, no pressure, no suction and lift.

Note: Actually, it is affected by many factors such as transmission medium, inlet and outlet pressure, hose material and error, working environment, etc. This data is for reference only.

KF300 Filling Volume Reference Parameter(Media is water)								
Drive	Pump Head	Tubing	mL/r	Filling Volume (mL)	Filling Time(s)	Filling Accuracy (±%)	Output(pcs/min)	Motor Speed(rpm)
KF300 Plus	MiniPump	13 [#]	0.027	0.06	0.8	3	33	166.67
		13 [#]	0.027	0.1	1	2	30	222.22
		13 [#]	0.027	0.2	2	0.8	20	222.22
		14 [#]	0.114	0.8	1.5	0.8	24	280.70
		14 [#]	0.114	1	2	0.5	20	263.16
		19 [#]	0.248	2	2	0.5	20	241.94
		16 [#]	0.377	3	2	0.5	20	238.73
	KT15	14 [#]	0.156	1	1.5	1	24	256.41
		14 [#]	0.156	2	3	0.5	15	256.41
		19 [#]	0.286	3	2	0.8	20	314.69
		16 [#]	0.477	5	2	0.8	20	314.47
		25 [#]	0.933	7	2	1	20	225.08
	HandyPump (6 rollers)	13 [#]	0.031	0.05	0.4	3	43	241.94
		13 [#]	0.031	0.1	0.8	2	33	241.94
		13 [#]	0.031	0.2	1.5	1	24	258.06
		13 [#]	0.031	0.5	3	0.5	15	322.58
		14 [#]	0.126	1	1.5	0.8	24	317.46
		19 [#]	0.215	2	2.5	0.5	17	223.26
		16 [#]	0.345	3	2	0.5	20	260.87
	HandyPump (3 rollers)	13 [#]	0.033	0.2	1.5	1	24	242.42
		14 [#]	0.187	1.5	2	0.8	20	240.64
		19 [#]	0.371	3	2	0.5	20	242.59
		16 [#]	0.636	5	2	0.8	20	235.85
		25 [#]	1.219	10	2	0.5	20	246.10



Split Type Filling System

3 years warranty
CF600 PlusII
304 SS Housing



Features

- | Split design, adding or deleting filling units freely.
- | One controller can control 1-32 filling units.
- | Each filling unit can receive stop filling signal when bottle absent.
- | Controller screen display the working status of the filling units.

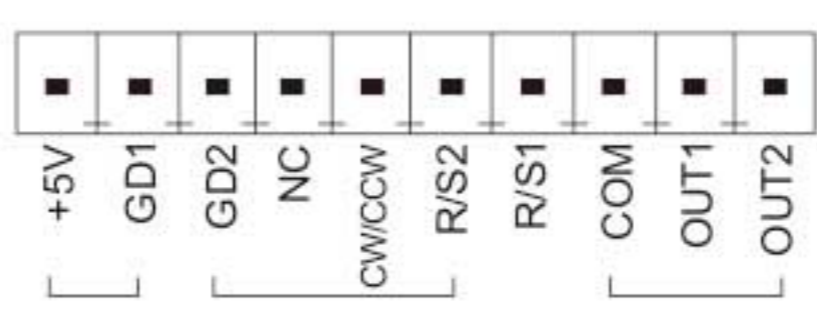
Model Number

| CF600 Plus, CF600 PlusII

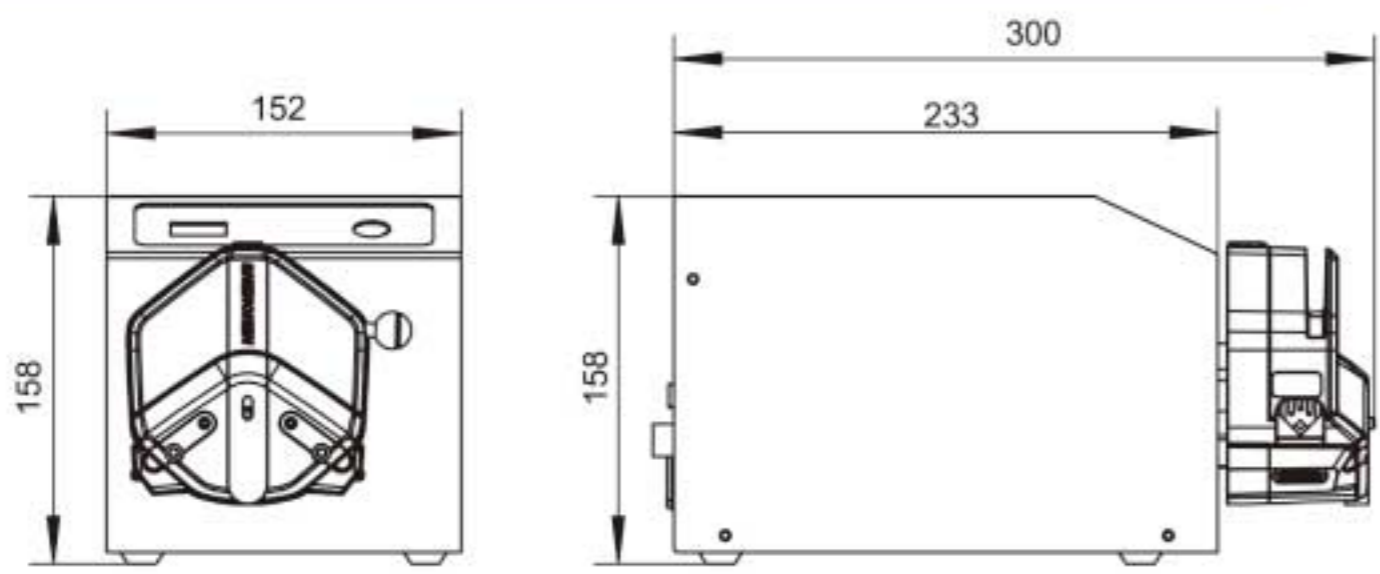
Typical Application

| Laboratory dispensing | Industry filling

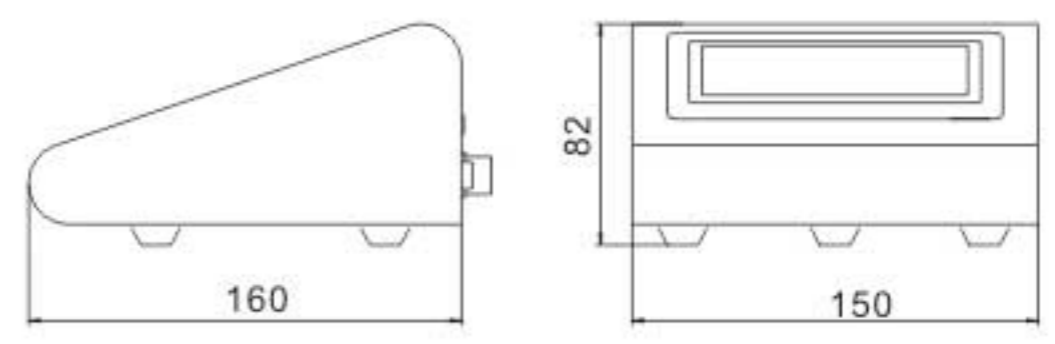
External Control Schematic Diagram



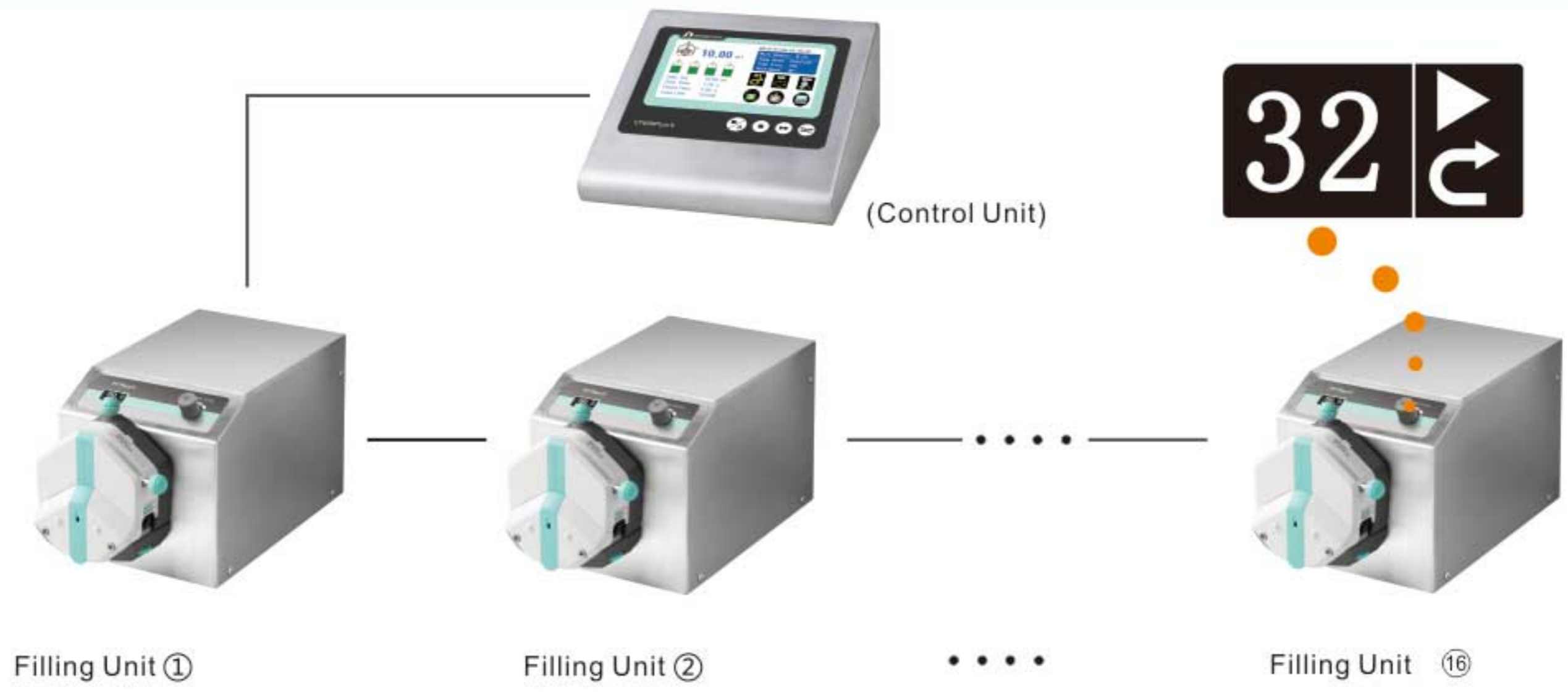
Dimension Drawing (Unit: mm)



Drive Dimension Drawing



Controller Dimension Drawing



Split Type Filling System

3 years warranty **CF350 Plus**

304
SS Housing



Features

- | Closed-loop stepper motor drive, precision control.
- | Split type design, space-saving, easy installation.
- | Use low pulsation pump head to reduce the pulsation of the fluid effectively.
- | Suitable for micro volume high precision filling.

Model Number

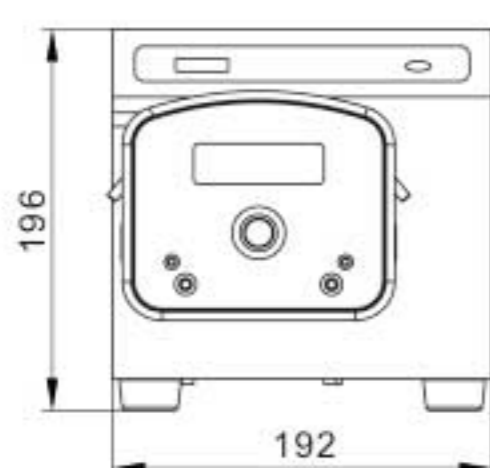
- | CF350 Plus
- | CF600 PlusIII, CF600 PlusIV



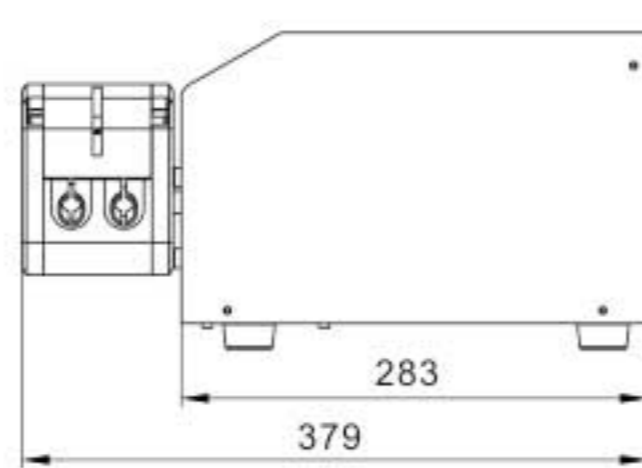
Control Unit

Filling Unit

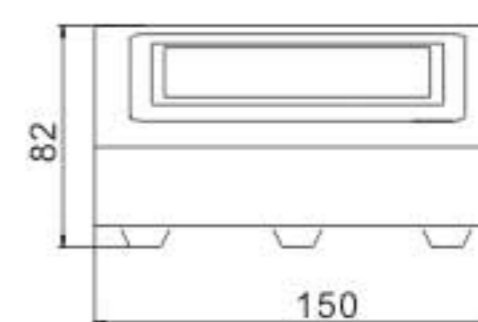
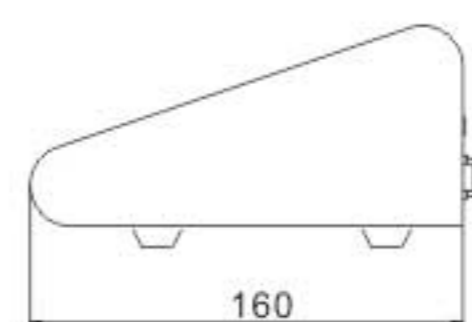
Dimension Drawing (Unit: mm)



Drive Dimension Drawing



Controller Dimension Drawing



Product Composition and Flow Rate Range

Drive	Pump Head	Flow Rate (mL/min)	Motor Type	Drive Dimension (L×W×H)	Power Consumption	Drive Weight
CF600 Plus	YZ1515x	0.007-2280	Stepper motor	237.4×152×158mm	Each unit < 50W	4.2kg
	YZ2515x	0.17-1740				
CF600 PlusII	EasyPump	0.0053-3100	Closed-loop stepper motor	233×152×158mm	Each unit < 80W	4.95kg
	DZ25-3L	0.211-3600				
CF600 PlusIII	DZ25-6L	0.3-6000		283×192×244mm	Each unit < 180W	7.8kg
CF350 Plus	DY15	0.01-3337		283×192×196mm	Each unit < 180W	7.8kg
	DY25	0.42-4340				
CF600 PlusIV	YZ35	0.69-12000		302×222×304mm	Each unit < 300W	11.9kg



Integrated Filling System

DF600 PlusII

3 years warranty

304
SS Housing



Features

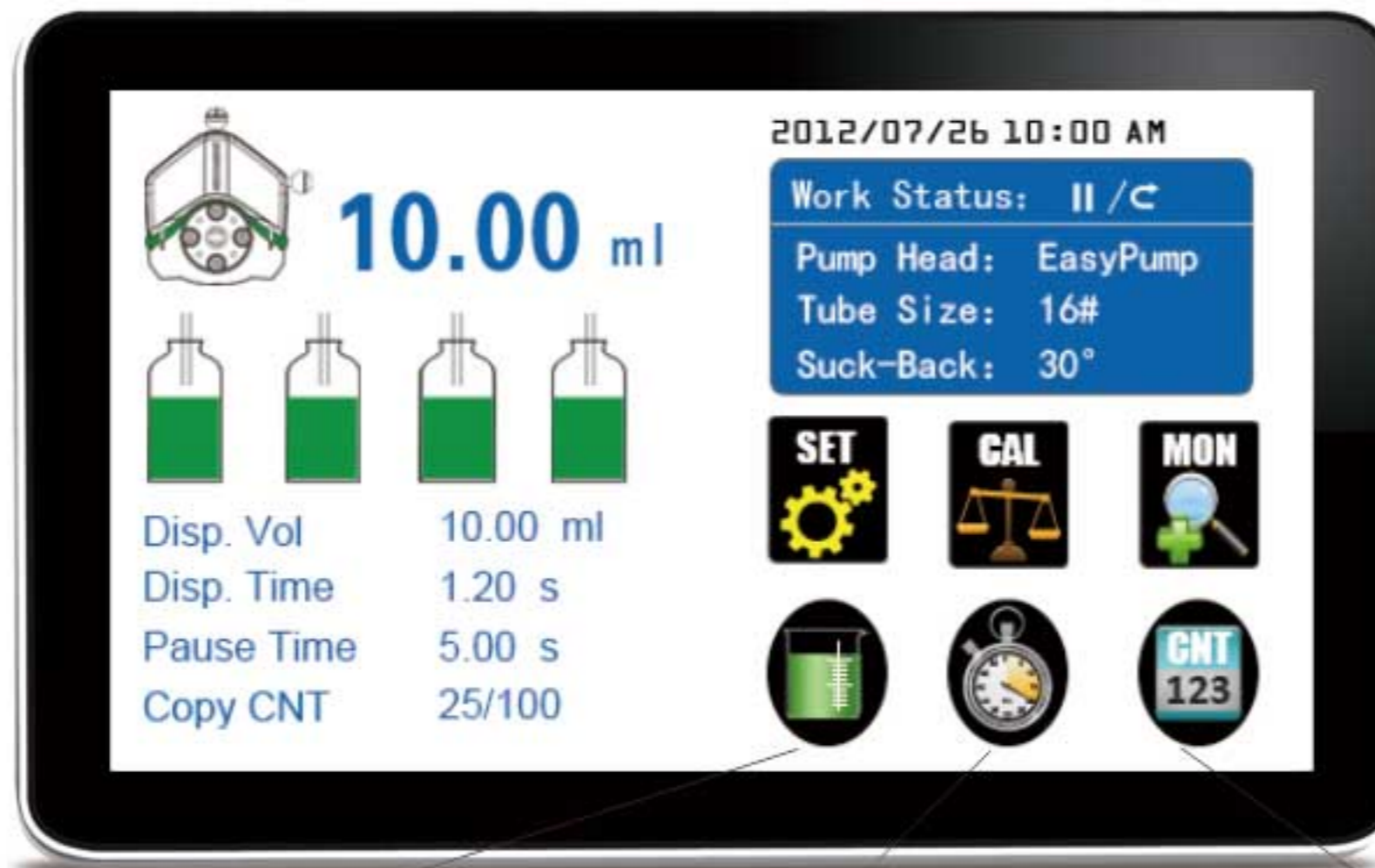
- Integrated design, one controller can control 8 groups (total 32) filling units.
- It can support the production filling line, store 30 commonly used filling modes.
- Each filling unit can independently receive stop filling signal when bottle absent.

Model Number

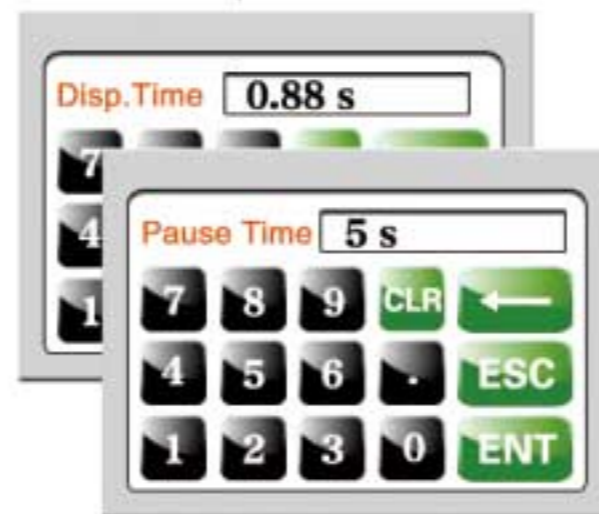
DF600 Plus, DF600 PlusII

Typical Application

- Pharmaceutical, health product filling, diagnostic reagent dispensing.
- Food, beverage filling.
- Cosmetic filling.



Dispensing volume interface



Dispensing time and pause time interface



Copy numbers interface



Integrated Filling System

DF600 PlusIV

3 years warranty

304
SS Housing



DF350 Plus

3 years warranty

304
SS Housing



Product Introduction

DF600 Plus series closed-loop stepper motor control series is integrated type intelligent filling system with high precision and low pulsation driven by closed-loop stepper motor. It is composed by control unit and integrated type filling units, each group have 8 filling units, total 32 filling units. This system use imported 4.3" industrial grade true color display with touch screen control, can preset filling volume, filling time, pause time, copy numbers and back-suction angle. Dynamics display working status, filling data, setting parameter, system configuration display at the same screen; with intelligent calibration and online micro adjust function. Can connect foot pedal and receive switch signal, realize long-distance control. With motor working status output signal, can let other equipment realtime monitor the current filling status of peristaltic pump. This filling system use closed-loop stepper motor, and high precision, low pulsation pump head to make the filling precision higher, up to 0.1%-0.6%, make the micro volume and big volume high precision filling come true.

Model Number

- | DF350 Plus
- | DF600 PlusIII
- | DF600 PlusIV

Typical Application

- | Pharmaceutical, health product filling, diagnostic reagent dispensing.
- | Food, beverage filling.
- | Cosmetic filling.



Integrated Filling System

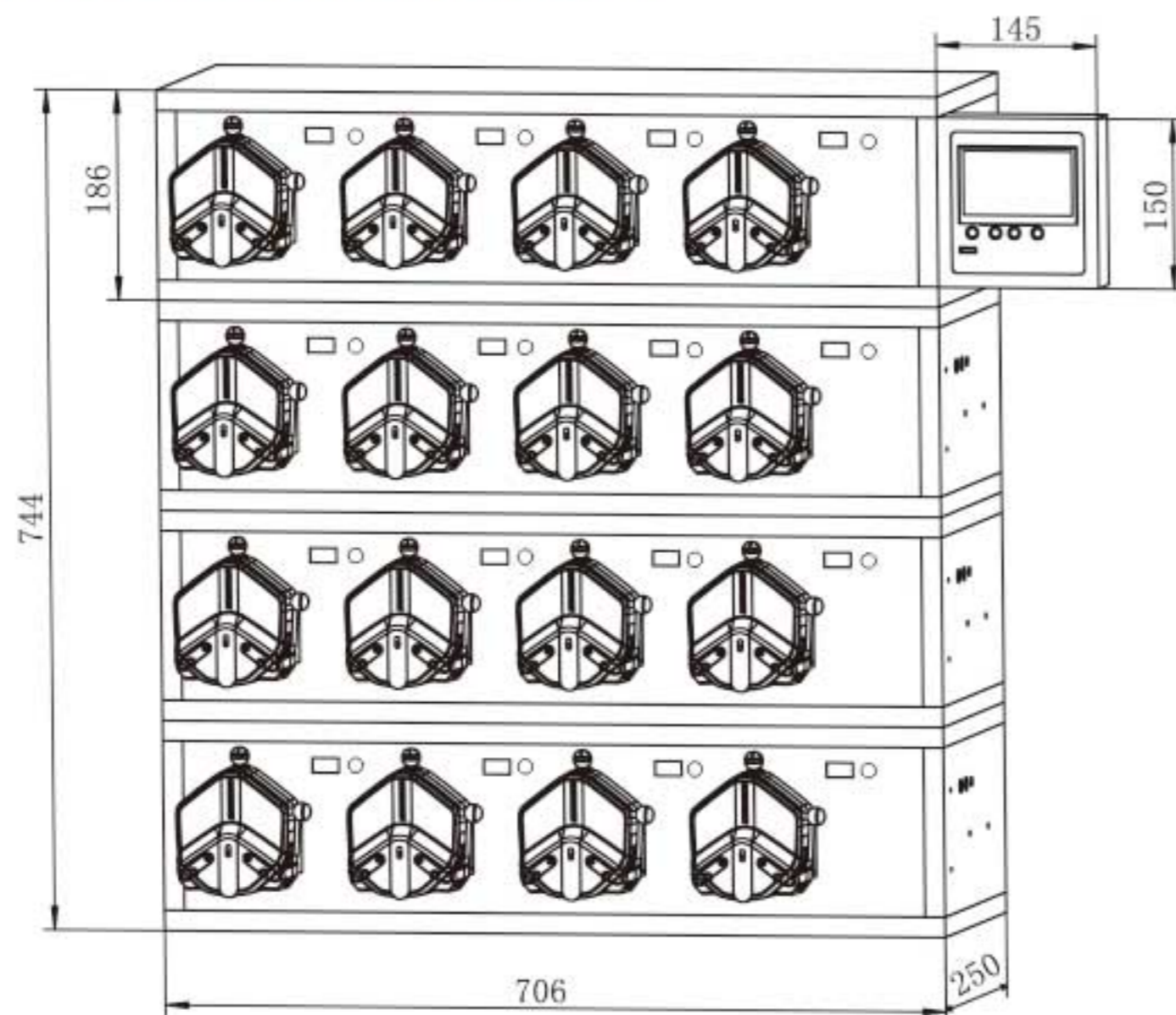
Product Composition and Flow Rate Range

Drive	Pump Head	Flow Rate (mL/min)	Motor Type	Drive Dimension (L×W×H)	Power Consumption	Drive Weight
DF600 Plus	YZ1515x	0.007~2280	Stepper motor	706×250×186mm	Each Unit <50W	21.8kg
	YZ2515x	0.17~1740				
DF600 PlusII	EasyPump	0.0053-3100	Closed-loop stepper motor	706×250×186mm	Each Unit <80W	21.8kg
	DZ25-3L	0.211-3600				
DF600 PlusIII	DZ25-6L	0.3-6000		910×290×212mm	Each Unit <180W	41.45kg
DF350 Plus	DY15	0.01-3337		910×290×212mm	Each Unit <180W	41.45kg
	DY25	0.42-4340				
DF600 PlusIV	YZ35	0.69-12000		1056×310×248m	Each Unit <300W	58.6kg

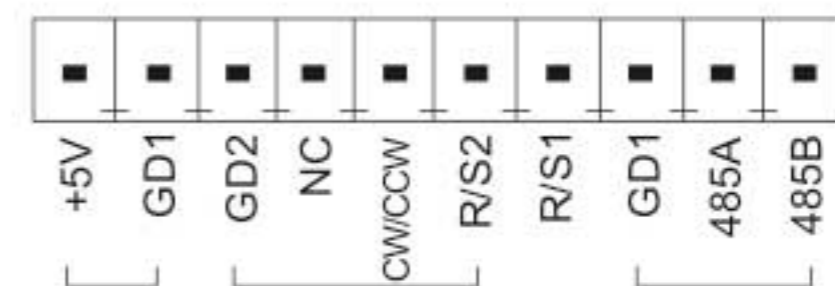
Technical Specifications

Speed range	CF350 Plus/DF350 Plus	0.1-350 rpm	Control method	Touch screen and mechanical keypad
	CF600 Plus/DF600 Plus/CF600 PlusII/ DF600 PlusII/CF600 PlusIII/DF600 PlusIII/ CF600 PlusIV/DF600 PlusIV	0.1-600 rpm	Keypad lifetime	300,000 times
Filling volume range	0.1-9999.99 mL	Start/stop, direction signal	Passive switch signal, such as foot pedal switch; Active switch signal: 5-24V universal	
Filling time range	DF600 Plus 0.1-9999.99 s	Communication interface	RS485 communication	
Pause time range	DF600 Plus 0.5-9999.99 s		Modbus protocol(RTU mode)	
Filling volume resolution	0.01 mL	Output interface	Output motor working status (Open-Collector output)	
Time resolution	0.01 s		Power supply	AC 220V±10% 50Hz/60Hz (standard)
Copy numbers	1-9999, '0' means unlimited	AC 110V±10% 50Hz/60Hz (optional)		
Back suction angle	0-360°	Condition temperature	0-40°C	
Filling accuracy	<±0.5%	Relative humidity	< 80%	
Display	4.3" industrial grade true color LCD screen			

Dimension Drawing(Unit: mm)



DF600 PlusII Dimension



DF600plus External Control Schematic Diagram



Product Composition and Flow Rate Range						
Drive	Pump Head	Pump Head Material	Tube Clamp Material	Tubing		(Motor Speed 0.1~600rpm) Flow Rate mL/min
				Tubing Size	ID×Wall Thickness	
DF600 Plus CF600 Plus	YZ1515x	PSF PPS	————	13 [#]	0.8×1.6 (mm)	0.007~42
				14 [#]	1.6×1.6 (mm)	0.027~162
				19 [#]	2.4×1.6 (mm)	0.055~330
				16 [#]	3.1×1.6 (mm)	0.082~492
				25 [#]	4.8×1.6 (mm)	0.17~1020
				17 [#]	6.4×1.6 (mm)	0.29~1740
	YZ2515x	PSF PPS	————	18 [#]	7.9×1.6 (mm)	0.38~2280
				15 [#]	4.8×2.4 (mm)	0.17~1020
DF600 PlusII CF600 PlusII	EasyPump I/III	————	————	24 [#]	6.4×2.4 (mm)	0.29~1740
				13 [#]	0.8×1.6 (mm)	0.0053~32
				14 [#]	1.6×1.6 (mm)	0.027~162
				19 [#]	2.4×1.6 (mm)	0.055~330
				16 [#]	3.1×1.6 (mm)	0.093~560
				25 [#]	4.8×1.6 (mm)	0.197~1180
	EasyPump II/IV	————	————	17 [#]	6.4×1.6 (mm)	0.333~2000
				18 [#]	7.9×1.6 (mm)	0.430~2580
				15 [#]	4.8×2.4 (mm)	0.180~1080
				24 [#]	6.4×2.4 (mm)	0.273~1640
	EasyPump V/VI	————	————	35 [#]	7.9×2.4 (mm)	0.383~2300
				36 [#]	6.4×2.4 (mm)	0.517~3100
				13 [#]	0.8×1.6 (mm)	0.0053~32
				14 [#]	1.6×1.6 (mm)	0.027~162
				19 [#]	2.4×1.6 (mm)	0.055~330
				16 [#]	3.1×1.6 (mm)	0.093~560
	DZ25-3L	Aluminum alloy/PPS	PP	25 [#]	4.8×1.6 (mm)	0.197~1180
				15 [#]	4.8×2.4 (mm)	0.211~1264
24 [#]				6.4×2.4 (mm)	0.385~2310	
35 [#]				7.9×2.4 (mm)	0.508~3050	
DF600 PlusIII CF600 PlusIII	DZ25-6L	Aluminum alloy/PPS	PP	36 [#]	4.8×2.4 (mm)	0.6~3600
				15 [#]	4.8×2.4 (mm)	0.3~1800
				24 [#]	6.4×2.4 (mm)	0.55~3300
				35 [#]	7.9×2.4 (mm)	0.8~4800
DF600 PlusIV CF600 PlusIV	YZ35-PPS	Aluminum alloy/PPS	PP	36 [#]	4.8×2.4 (mm)	1~6000
				26 [#]	6.4×3.3 (mm)	0.69~4200
				73 [#]	9.6×3.3 (mm)	1.23~7400
				82 [#]	12.7×3.3 (mm)	2~12000
Drive	Pump Head	Pump Head Material	Tube Clamp Material	Tubing		(Motor Speed 0.1~350rpm) Flow Rate mL/min
				Tubing Size	ID×Wall Thickness	
DF350 Plus CF350 Plus	DY15	Aluminum alloy	PP	13 [#]	0.8×1.6 (mm)	0.01~48
				14 [#]	1.6×1.6 (mm)	0.06~223
				19 [#]	2.4×1.6 (mm)	0.13~448
				16 [#]	3.1×1.6 (mm)	0.2~723
				25 [#]	4.8×1.6 (mm)	0.47~1626
				17 [#]	6.4×1.6 (mm)	0.64~2230
	DY25	Aluminum alloy	PP	18 [#]	7.9×1.6 (mm)	0.95~3337
				15 [#]	4.8×2.4 (mm)	0.42~1480
				24 [#]	6.4×2.4 (mm)	0.76~2670
				35 [#]	7.9×2.4 (mm)	1~3600
				36 [#]	9.6×2.4 (mm)	1.24~4340



Filling Volume Reference (Media is water)								
Drive	Pump Head	Tubing	Filling Volume (mL)	Filling Time (s)	Accuracy (±%)	Output (pcs/min)	Motor Speed (rpm)	
DF600 PlusII CF600 PlusII	EasyPump	13 [#]	0.4	1.2	0.8	27	377.36	
		13 [#]	1	2.5	0.5	17	452.83	
		14 [#]	2	1	0.5	30	444.44	
		19 [#]	5	1.2	0.5	27	454.55	
		16 [#]	7	1	0.5	30	450.16	
		25 [#]	10	0.8	0.8	33	381.29	
		25 [#]	15	1	0.5	30	457.55	
		25 [#]	20	1.5	0.5	24	406.71	
		17 [#]	30	1.2	0.5	27	450.05	
		18 [#]	50	1.5	0.5	24	465.12	
		15 [#]	15	1.2	0.5	27	416.67	
		24 [#]	20	1.2	0.5	27	365.90	
		35 [#]	30	1.2	0.5	27	391.34	
		36 [#]	50	1.5	0.5	24	387.07	
	2*EasyPump	13 [#]	0.5	0.8	0.8	33	353.77	
		13 [#]	1	1.2	0.5	27	471.70	
		14 [#]	2	0.6	1	38	370.37	
		14 [#]	5	1.5	0.5	24	370.37	
		19 [#]	10	1.2	0.5	27	454.55	
		16 [#]	15	1.2	0.5	27	401.93	
		16 [#]	20	1.5	0.5	24	428.72	
		25 [#]	30	1	0.5	30	457.55	
		17 [#]	50	1	0.5	30	450.05	
		18 [#]	70	1	0.5	30	488.37	
		15 [#]	30	1.2	0.5	27	416.67	
		24 [#]	50	1.2	0.5	27	457.37	
		35 [#]	70	1.2	0.5	27	456.56	
		36 [#]	100	1.5	0.5	24	387.07	
	DZ25-3L	15 [#]	16	1	0.5	30	454.98	
		24 [#]	30	1.2	0.5	27	389.61	
		35 [#]	150	4	0.5	12	442.91	
		36 [#]	200	4	0.5	12	500.00	
	DF600 PlusIII CF600 PlusIII	DZ25-6L	15 [#]	30	1.2	0.5	27	500.00
			24 [#]	50	1.2	0.5	27	454.55
			35 [#]	70	1.2	0.5	27	437.50
			36 [#]	100	1.5	0.5	24	400.00
DF350 Plus CF350 Plus	DY15	14 [#]	0.5	0.5	0.8	40	94.19	
		14 [#]	1	0.6	0.8	38	156.99	
		14 [#]	3	1	0.5	30	282.57	
		19 [#]	5	1	0.8	30	234.38	
		16 [#]	15	1.5	0.5	24	290.42	
		25 [#]	20	1	0.5	30	258.29	
		17 [#]	30	1	0.5	30	282.53	
	DY25	18 [#]	100	2.5	0.5	17	251.73	
		15 [#]	10	0.8	0.8	33	177.35	
		24 [#]	30	1	0.8	30	235.94	
DF600 PlusIV CF600 PlusIV	YZ35	35 [#]	70	1.5	0.5	24	272.21	
		36 [#]	100	2	0.5	20	241.94	
		26 [#]	50	1	0.5	30	434.78	
		26 [#]	100	2	0.5	20	434.78	
	2*YZ35	73 [#]	100	1.2	0.5	27	406.50	
		73 [#]	150	2	0.5	20	365.85	
		82 [#]	200	1.5	0.5	24	400.00	
		73 [#]	100	1.2	0.5	27	203.25	
73 [#]	200	1.5	0.5	24	325.20			
82 [#]	500	2	0.5	20	375.00			



Basic Peristaltic Pump

LabM Series



Suitable Pump Head



EasyPump Series
(Pressure Adjustable)



EasyPump Series
(Fixed Pressure)



AMC Series



YZ Series

Model Number | LabM1-III, LabM3-III, LabM6-III

Typical Application

- University laboratory.
- Supporting ion chromatography and titrator.

Features

- 3 digital LED display motor speed, mechanical keypad control.
- Timing function, the time range of 0.5 seconds -999 seconds can be used as a simple dispensing.
- Support RS232 and RS485 communication, Modbus protocol.

Technical Specifications

Flow rate range	LabM1-III: 0.0053~775 mL/min	External speed control signal	0-5V, 4-20mA, 0-10V		
	LabM3-III: 0.0053~1808 mL/min		Start/stop, direction signal	Passive switch signal, such as foot pedal switch; Active switch signal: 5-24V universal	
	LabM6-III: 0.0053~3100 mL/min			Communication interface	RS232, RS485 communication
	LabM1: 0.0002~570 mL/min				Modbus protocol(RTU mode)
LabM3: 0.0002~1330 mL/min	Power supply	AC 220V±10%, 50Hz/60Hz (standard)			
LabM6: 0.0002~2280 mL/min		AC 110V±10%, 50Hz/60Hz (optional)			
Speed resolution		0.1rpm when the speed is 0-100rpm, 1rpm when the speed is 100-600rpm.	Drive dimension	261.4×157.3×236.9mm (L×W×H)	
Testing time range		0.5s-999s		Drive weight	4.40 kg
Motor type	LabM-III series: Closed-loop stepper motor	Power consumption			<80W
	LabM series: Stepper motor				Condition temperature
Display	3 digital LED		Relative humidity		
Control method	Mechanical keypad				
Keypad lifetime	300,000 times				

Product Composition and Flow Rate Range

Flow Rates Peristaltic Pump		Pump Head & Flow Rate (mL/min)					
		New Generation Quick Load Type Pump Head					
Drive&speed	Tubing	EasyPumpI/III	EasyPumpII/IV	EasyPumpV/VI(dual channel)			
			13 [#] , 14 [#] , 19 [#] , 16 [#] , 25 [#] , 17 [#] , 18 [#]	15 [#] , 24 [#] , 35 [#] , 36 [#]	13 [#] , 14 [#] , 19 [#] , 16 [#] , 25 [#]		
		LabM1-III	0.1-150 rpm	0.0053~645	0.18~775	0.0053~295	
		LabM3-III	0.1-350 rpm	0.0053~1505	0.18~1808	0.0053~688	
LabM6-III	0.1-600 rpm	0.0053~2580	0.18~3100	0.0053~1180			
Drive&speed	Tubing	YZ1515x	YZ2515x	AMC1~AMC12(10)	AMC1~AMC12(6)		
			13 [#] , 14 [#] , 19 [#] , 16 [#] , 25 [#] , 17 [#] , 18 [#]	15 [#] , 24 [#]	Inner diameter: 0.13-3mm Wall thickness: 0.8-1mm		
		LabM1	0.1-150 rpm	0.007~570	0.17~435	0.0002-48(working speed≤150rpm)	0.0002-65(working speed≤150rpm)
		LabM3	0.1-350 rpm	0.007~1330	0.17~1015		
LabM6	0.1-600 rpm	0.007~2280	0.17~1740				



Basic Peristaltic Pump



Features

- | Closed-loop stepper motor drive, powerful and maintenance-free.
- | 3 digital LED display motor speed, rotary encoded switch control.
- | Suitable for industrial sites, transfer liquid with large flow and high precision.

Model Number

- | M6-3L/EasyPump
- | M6-3L/DZ25-3L
- | M6-6L/DZ25-6L
- | M6-12L/YZ35

Technical Specifications			
Flow rate range	M6-3L: 0.0053~3600 mL/min M6-6L: 0.3~6000 mL/min M6-12L: 0.69~12000 mL/min	Start/stop, direction signal	Passive switch signal, such as foot pedal Active switch signal: 5-24V
Speed resolution	0.1-600 rpm	Communication interface	RS232, RS485 Modbus protocol(RTU mode)
Speed range	0-100rpm, 0.1rpm; 100-600rpm, 1rpm.	Power supply	AC 220V±10% 50Hz/60Hz (standard) AC 110V±10% 50Hz/60Hz (optional)
Flow rate accuracy	<±0.5%	Drive dimension (L×W×H)	M6-3L: 223×152×199mm M6-6L: 283×192×274mm M6-12L: 302×222×331mm
Motor type	Closed-loop stepper motor	Drive weight	M6-3L: 5.02kg; M6-6L: 7.85kg M6-12L: 13.14kg
Display	3 digital LED	Power consumption	M6-3L: <80W; M6-6L:<180W M6-12L: <300W
Control method	Digital knob control and mechanical keypad	Condition temperature	0-40°C
Keypad lifetime	300,000 times	Relative humidity	<80%
External speed control signal	0-5V, 0-10V, 4-20mA		

Product Composition and Flow Rate Range					
Drive	Motor Type	Pump Head	Tubing Size	Speed Range(rpm)	Flow Rate(mL/min)
M6-3L	Closed-loop stepper motor	EasyPump	13", 14", 19", 16", 25", 17" 18" / 15", 24", 35", 36"	0.1-600	0.0053~3100
		DZ25-3L	15", 24", 35", 36"		0.211~3600
M6-6L		DZ25-6L	15", 24", 35", 36"		0.3~6000
M6-12L		YZ35	26", 73", 82"		0.69~12000



Basic Peristaltic Pump

3 years warranty

BT100N, BT300N, BT600N



Suitable Pump Head



AMC Series



YZ Series



Features

- Plastic coated metal housing, compact structure.
- Timing function, time range 0.5s-999s, can be used for simple dispense.
- RS232, RS485 Communication Interface.
- Support Shenzhen communication protocol or standard Modbus communication protocol(RTU mode).

Technical Specifications

Flow rate range	BT100N: 0.0002~570 mL/min BT300N: 0.0002~1330 mL/min BT600N: 0.0002~2280 mL/min	Start/stop, reversing signal	Passive switch signal, such as foot pedal Active switch signal: 5-24V
Speed range	0.1-600rpm	Communication interface	RS232, RS485 communication Modbus protocol(RTU mode)
Speed resolution	0-100rpm, 0.1rpm; 100-600rpm, 1rpm	Power supply	AC 220V±10% 50Hz/60Hz (standard) AC 110V±10% 50Hz/60Hz (optional)
Testing time range	0.5 s-999 s	Drive dimension	183×131×194mm
Display	LED Display	Drive weight	4.20 kg
Control method	Mechanical keypad	Power consumption	<50W
Keypad lifetime	300,000 times	Condition temperature	0-40°C
External speed control signal	0-5V, 4-20mA, 0-10V for option	Relative humidity	<80%

Product Composition and Flow Rate Range

Flow Rates Peristaltic Pump		Pump Head & Flow Rate (mL/min)			
		YZ1515x	YZ2515x	AMC1~AMC12(10)	AMC1~AMC12(6)
Drive&speed	Tubing	13#, 14#, 19#, 16# 25#, 17#, 18#	15#, 24#	Inner diameter: 0.13-3mm Wall thickness: 0.8-1mm	
		0.007~570	0.17~435	0.0002-48(working speed≤150rpm)	0.0002-65(working speed≤150rpm)
	BT100N 0.1-150 rpm				
	BT300N 0.1-350 rpm	0.007~1330	0.17~1015		
	BT600N 0.1-600 rpm	0.007~2280	0.17~1740		



Planetary Gear Type Industrial Peristaltic Pump



J025

Product Introduction

J025 peristaltic pump head use aluminum alloy shell, 304 stainless steel rollers, long lifetime, corrosion resistance; big flow rate, high pressure, suitable for transfer high viscosity and high lift liquid; Driven by AC motor, can use frequency adapter to adjust speed and flow rate, can also connect with PLC, IPC and computers.

Typical Application

- | Bio-medical
- | Chemical industry
- | Environmental protection



DZ45-I

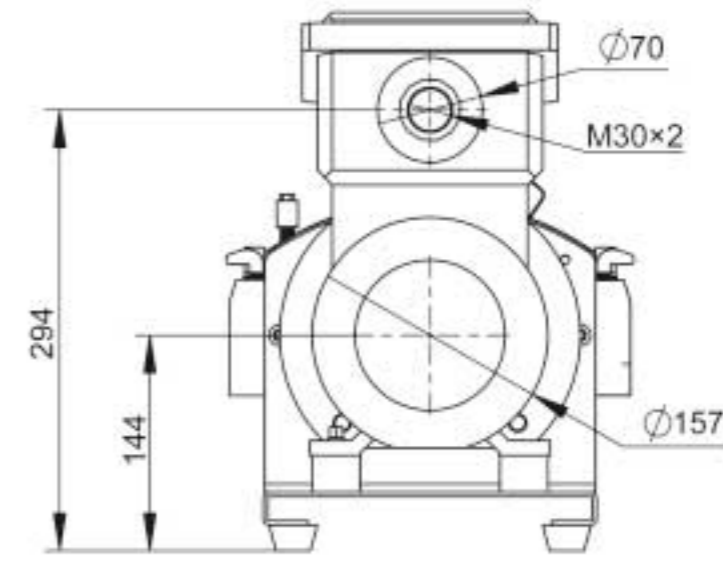
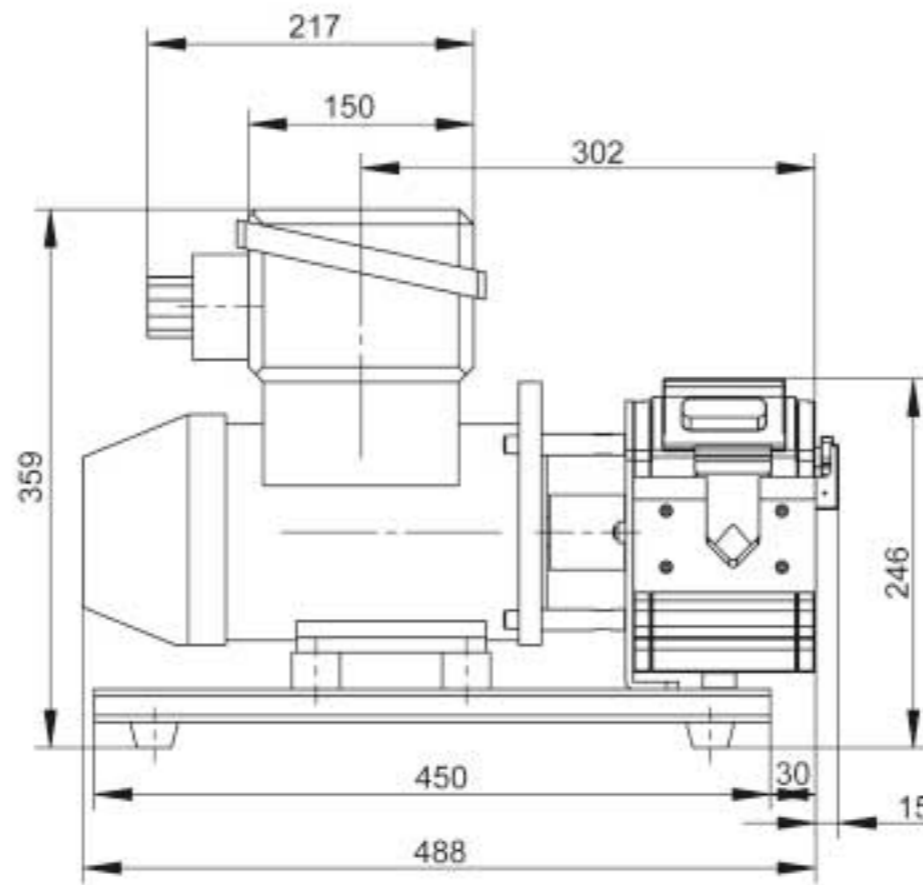
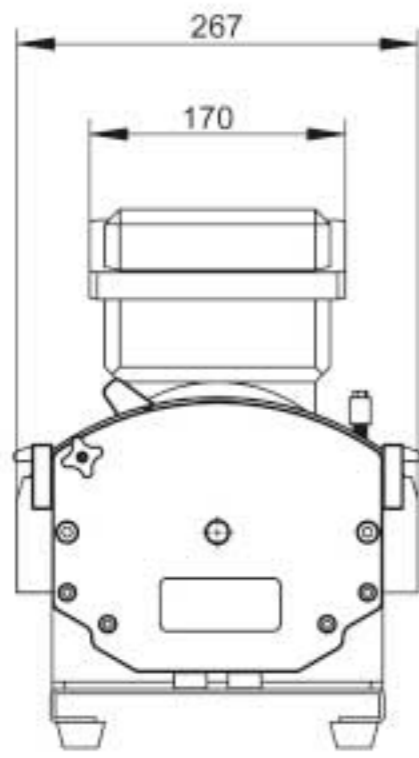


DZ45-II

Roller Components



Dimension Drawing (Unit: mm)



Product Composition and Flow Rate Range

Drive	Pump Head	Power Supply	Power	Speed (rpm)	Tubing		Flow Rate (L/min)	Pressure (Mpa)		Weight
					Size	ID*Wall thickness (mm)		Continuous	Intermittent	
J025	DZ45	AC380V/ AC220V	370W	37.5-350	88#	12.7*4.8	1.0-12.5	0.25	0.3	30kg
				37.5-270	92#	25.4*4.8				



Explosion Proof Peristaltic Pump

EXP600/EasyPump



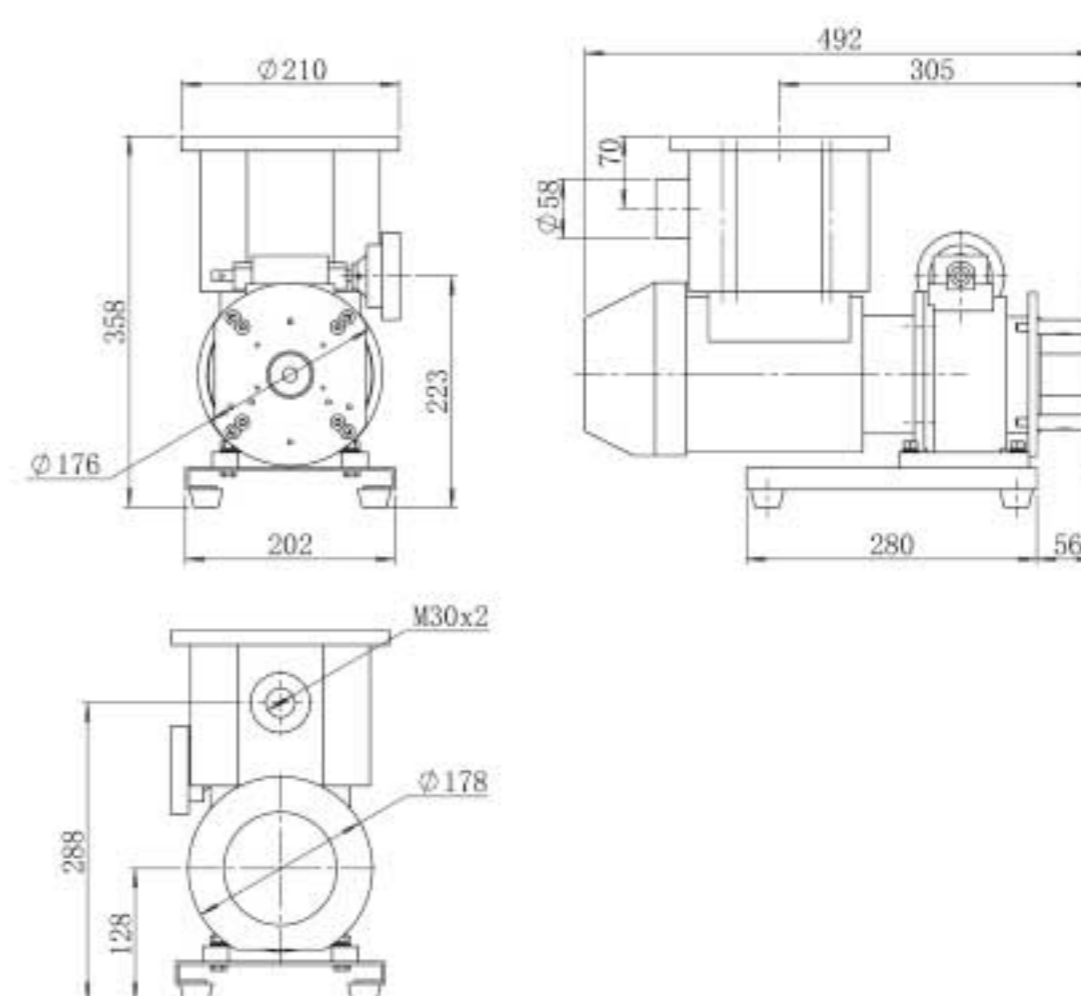
Features

Driven by explosion-proof motor, the power is strong.
Stepless speed regulation, reversible inversion.

IP rate: IP55
Explosion-proof grade: ExdIIBT4 Gb

Suitable for inflammable and explosive industrial sites.

Dimension Drawing (Unit: mm)



EXP600 with Frequency Converter



Technical Specifications

Speed range	Manual control: 180-600 rpm	Condition temperature	0~40℃
	Frequency converter control: 60-600rpm	Relative humidity	<80%
Speed control	Manual stepless speed regulation/ Inverter speed regulation	Explosion-proof grade	ExdIIBT4 Gb, ExdIICT4
		IP rate	IP55
Voltage	3 phase 380V(standard)/ 3 phase 220V(optional)	Drive weight	30 kg
		Drive dimension(L×W×H)	424×230×330(mm)

Product Composition and Flow Rate Range

Drive	Speed(rpm)	Pump Head	Tubing Size	Flow Rate (mL/min)
EXP600	60-600	AMC	1×1, 2×1, 2.4×0.8, 3×1, 0.13×0.86, 0.19×0.86, 0.25×0.86, 0.51×0.86, 0.89×0.86, 1.14×0.86, 1.42×0.86, 2.06×0.86, 2.79×0.86	0.12~65.17
		EasyPump	13", 14", 19", 16", 25", 17", 18" 15", 24", 35", 36"	3.18~2580 108~3100
		YZ1515x	13", 14", 19", 16", 25", 17", 18"	4.2~2280
		YZ2515x	15", 24"	102~1740
		YZ35	26", 73", 82"	414~12000
		DZ25-3L	15", 24", 35", 36"	126.6~3600
		DZ25-6L	15", 24", 35", 36"	180~6000
		SN15	14", 16"	14.4~528
		SN25	24"	150~1500
EXP300	37.5-350	DZ45	88", 92"	1000~28150



Explosion Proof Peristaltic Pump

Suitable Pump Head



QD600



EasyPump Series



YZ Series



AMC Series



DZ25-3L

Features

Pneumatic motor driver, gas driving, explosion-proof and safe.

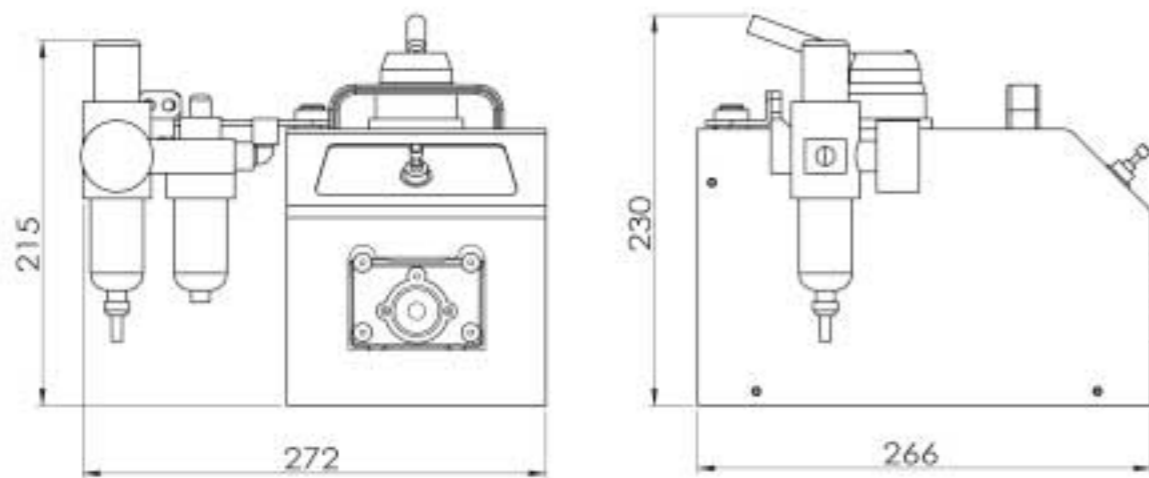
Stepless speed regulation, manual control flow valve. Start/stop, direction, overload protection functions.

Barometer, convenient for users to check the pressure value.

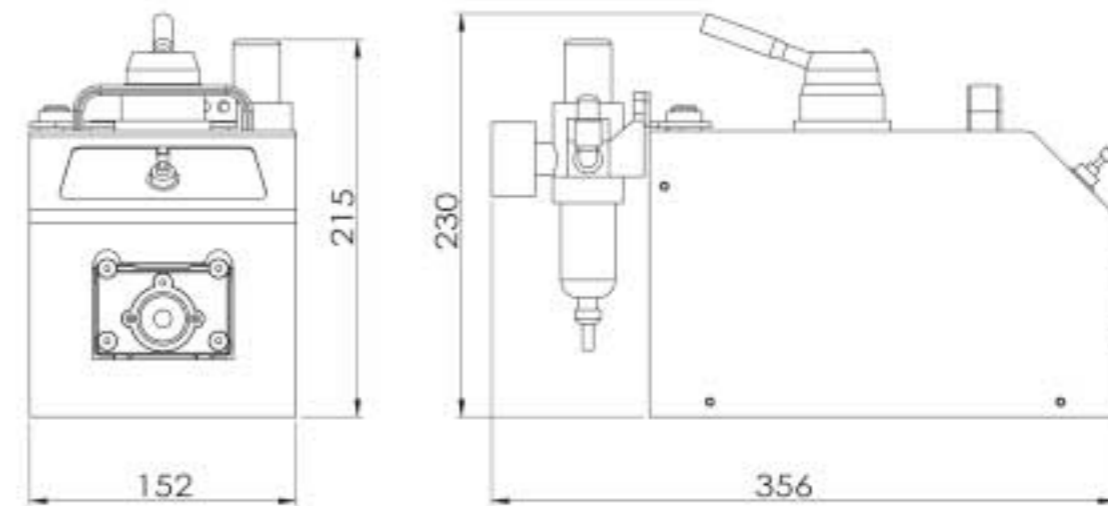
Suitable for inflammable, explosive industrial sites.

Dimension Drawing (Unit: mm)

Working status dimension drawing



Non-working status dimension drawing



Technical Specifications

Speed range	60~600 rpm	Gas consumption	0.4-8L/Sec
Display	Display air pressure	Drive dimension (L x W x H)	Working:266x 272 x 230mm Non-working:356x 152 x 230mm
Speed control	stepless speed regulation (By adjusting the flow valve)	Drive weight	4.10 kg
Control function	Start/stop, reversing(gas reversing valve control)	Condition temperature	0-40°C
Working air pressure	0.4-0.7Mpa	Relative humidity	< 80%

Product Composition and Flow Rate Range

Peristaltic Pump		Pump Head & Flow Rate (mL/min)			
		EasyPump		AMC1~AMC12	
Drive & Speed	Tubing	EasyPumpI/III	EasyPumpII/IV	10 roller	6 roller
		13#, 14#, 19#, 16#, 25#, 17#, 18#	15#, 24#, 35#, 36#	Inner diameter: 0.13-3mm Wall thickness: 0.8-1mm	
QD600	60-600rpm	3.18~2580	108~3100	0.12~48.38	0.12~65.17
		YZ1515x	YZ2515x	DZ25-3L	
		13#, 14#, 19#, 16#, 25#, 17#, 18#	15#, 24#	15#, 24#, 35#, 36#	
		4.2~2280	102~1740	126.6~3600	



Pump Head Flow Meter

AMC Series Technical Specifications

Tubing	Speed	Flow rate of pump head with 10 rollers(mL/min)	Flow rate of pump head with 6 rollers(mL/min)	Tubing maximum pressure (Mpa)	
				Continuous	Intermittent
1 × 1	0.1~150rpm	0.0050~7.55	0.0062~9.36	0.1	0.1
2 × 1		0.0183~27.52	0.0220~33.06		
2.4 × 0.8		0.0254~38.13	0.0319~47.81		
3 × 1		0.0323~48.38	0.0434~65.17		
0.13 × 0.86		0.0002~0.29	0.0002~0.31		
0.19 × 0.86		0.0003~0.44	0.0003~0.46		
0.25 × 0.86		0.0005~0.76	0.0005~0.80		
0.51 × 0.86		0.0013~2.00	0.0014~2.05		
0.89 × 0.86		0.0030~4.47	0.0031~4.65		
1.14 × 0.86		0.0061~9.16	0.0065~9.74		
1.42 × 0.86		0.0125~18.75	0.0142~21.28		
2.06 × 0.86		0.0197~29.60	0.0234~35.17		
2.79 × 0.86		0.0286~42.86	0.0372~55.77		

EasyPump Series Technical Specifications

Pump Head	Tubing	ID×Wall thickness(mm)	mL / r	Flow Rate(mL/min) (0.1~600rpm)	Tubing Max. Pressure(Mpa)		Weight(kg)
					Intermittent	Continuous	
EasyPumpI/III	13"	0.8 × 1.6	0.053	0.0053-32	0.27	0.17	0.6
	14"	1.6 × 1.6	0.27	0.027-162			
	19"	2.4 × 1.6	0.55	0.055-330			
	16"	3.1 × 1.6	0.933	0.093-560			
	25"	4.8 × 1.6	1.967	0.197-1180			
	17"	6.4 × 1.6	3.333	0.333-2000			
EasyPumpII/IV	18"	7.9 × 1.6	4.3	0.430-2580	0.27	0.17	
	15"	4.8 × 2.4	1.8	0.180-1080			
	24"	6.4 × 2.4	2.733	0.273-1640			
	35"	7.9 × 2.4	3.833	0.383-2300			
EasyPumpV/VI	36"	9.6 × 2.4	5.167	0.517-3100	0.24	0.14	
	13"	0.8 × 1.6	0.053	0.0053-32			
	14"	1.6 × 1.6	0.27	0.027-162			
	19"	2.4 × 1.6	0.55	0.055-330			
	16"	3.1 × 1.6	0.933	0.093-560			
25"	4.8 × 1.6	1.967	0.197-1180	0.24	0.14		

YZ Series Technical Specifications

Pump Head	Tubing	ID×Wall thickness(mm)	mL / r	Flow Rate(mL/min) (0.1~600rpm)	Tubing Max. Pressure(Mpa)		Material/Weight(kg)			
					Intermittent	Continuous	PSF	PPS		
YZ1515x	13"	0.8 × 1.6	0.07	0.007~42	0.27	0.17	0.40 (3 rollers)	0.46 (3 rollers)		
	14"	1.6 × 1.6	0.27	0.027~162						
	19"	2.4 × 1.6	0.55	0.055~330						
	16"	3.1 × 1.6	0.82	0.082~492			0.24	0.14	0.44 (6 rollers)	0.50 (6 rollers)
	25"	4.8 × 1.6	1.7	0.17~1020						
	17"	6.4 × 1.6	2.9	0.29~1740						
YZ2515x	18"	7.9 × 1.6	3.8	0.38~2280	0.10	0.07	0.40 (3 rollers)	0.46 (3 rollers)		
	15"	4.8 × 2.4	1.7	0.17~1020						
	24"	6.4 × 2.4	2.9	0.29~1740	0.27	0.17				

DZ25 Series Technical Specifications

Model No.	Housing Material	Tubing Clamp Material	Tubing		Flow Rate (mL/min) (0.1~600rpm)	Weight (kg)
			Tubing Sizes	ID × Wall Thickness		
DZ25-3L	PPS	PP	15"	4.8 × 2.4(mm)	0.211~1264	0.5
			24"	6.4 × 2.4(mm)	0.385~2310	
			35"	7.9 × 2.4(mm)	0.508~3050	
			36"	9.6 × 2.4(mm)	0.6~3600	
DZ25-6L	Aluminum alloy/PPS	PP	15"	4.8 × 2.4(mm)	0.3~1800	1.86/0.86
			24"	6.4 × 2.4(mm)	0.55~3300	
			35"	7.9 × 2.4(mm)	0.8~4800	
			36"	9.6 × 2.4(mm)	1~6000	



YZ35 Technical Specifications

Pump Head	Tubing	ID×Wall Thickness(mm)	mL / r	Flow Rate(mL/min) (0.1-600rpm)	Tubing Max.Pressure(Mpa)		Material/Weight(kg)	
					Intermittent	Continuous	Aluminum Alloy	PPS
YZ35	26 [#]	6.4×3.3	6.9	0.69~4200	0.27	0.2	4.36	1.50
	73 [#]	9.6×3.3	12.3	1.23~7400				
	82 [#]	12.7×3.3	20	2~12000	0.14	0.1		

MiniPump Technical Specifications

Pump Head	Tube Size	ID × Wall Thickness(mm)	Speed (rpm)	Flow Rate (mL/min)
MiniPump01	13 [#]	0.8×1.6	0.1~300	0.0024-8.28
	14 [#]	1.6×1.6		0.0112-33.88
	19 [#]	2.4×1.6		0.0252-77.23
	16 [#]	3.1×1.6		0.0394-114.31
	25 [#]	4.8×1.6		0.0652-190.00
MiniPump01/ MiniPump02	1×1	1×1	0.1~300	0.005-15.01
	2×1	2×1		0.018-54.63
	2.5×1	2.5×1		0.0256-76.84
	3×1	3×1		0.0356-108.39

HandyPump Technical Specifications

Pump Head	Channel number	Tubing	ID×Wall thickness(mm)	mL/r (3 rollers)	mL/r (6 rollers)	Speed (rpm)	Flow Rate(mL/min) (3 rollers)	Flow Rate(mL/min) (6 rollers)	Weight (kg)
HandyPump01	Single channel	13 [#]	0.8×1.6	0.033	0.031	0.1~300	0.0033~10.03	0.0031~29.36	0.224 (3 rollers)
		14 [#]	1.6×1.6	0.187	0.126		0.0187~56.09	0.0208~37.68	
		19 [#]	2.4×1.6	0.371	0.215		0.0371~111.17	0.0036~64.51	
		16 [#]	3.1×1.6	0.636	0.345		0.0636~190.76	0.0059~103.51	0.302 (6 rollers)
		25 [#]	4.8×1.6	1.219	0.636		0.1219~365.69	0.01038~190.81	
HandyPump02	Dual channel	13 [#]	0.8×1.6	0.033	-	0.1~300	0.0033~10.03	-	0.224 (3 rollers)
		14 [#]	1.6×1.6	0.187	-		0.0187~56.09	-	
		19 [#]	2.4×1.6	0.371	-		0.0371~111.17	-	
		16 [#]	3.1×1.6	0.636	-		0.0636~190.76	-	

KT15 Technical Specifications

Pump Head	Channel number	Tubing	ID×Wall thickness(mm)	mL / r	Speed(rpm)	Flow Rate(mL/min)	Weight(kg)
KT15	Single channel	13 [#]	0.8×1.6	0.033	0.1~600	0.0033~19.97	0.096
		14 [#]	1.6×1.6	0.156		0.0156~93.42	
		19 [#]	2.4×1.6	0.286		0.0286~171.6	
		16 [#]	3.1×1.6	0.477		0.0477~286.32	
		25 [#]	4.8×1.6	0.933		0.0933~560.04	

UD15 Technical Specifications

Model No.	Housing Material		Tubing		Speed Range(rpm)	Flow Rate (mL/min)	Weight (kg)
	Body	Protective cover	Tubing Sizes	ID×Wall Thickness			
UD15	PSF	Transparent PC	16 [#]	3.1×1.6(mm)	0.1~350	0.08~280	0.12
			25 [#]	4.8×1.6(mm)		0.16~580	
			17 [#]	6.4×1.6(mm)		0.26~930	

UC25 Technical Specifications

Model No.	Housing Material		Tubing		Speed Range(rpm)	Flow Rate(mL/min)	Weight (kg)
	Base	Protective cover	Tubing Sizes	ID×Wall(mm)			
UC25	PSF	PC	15 [#]	4.8×2.4	0.1-600	0.3423~2054	1.39
			24 [#]	6.4×2.4		0.5033~3020	
			35 [#]	7.9×2.4		0.8588~5153	
			36 [#]	9.6×2.4		1.1105~6663	



Peristaltic Pump Accessories

A Filling Nozzle

Name	Material	Picture
Reducer anti-splash filling nozzle	SS316	
Flat filling nozzle	SS304/316	

B One Way Checkvalve



Avoid liquid drop off after filling and transferring.

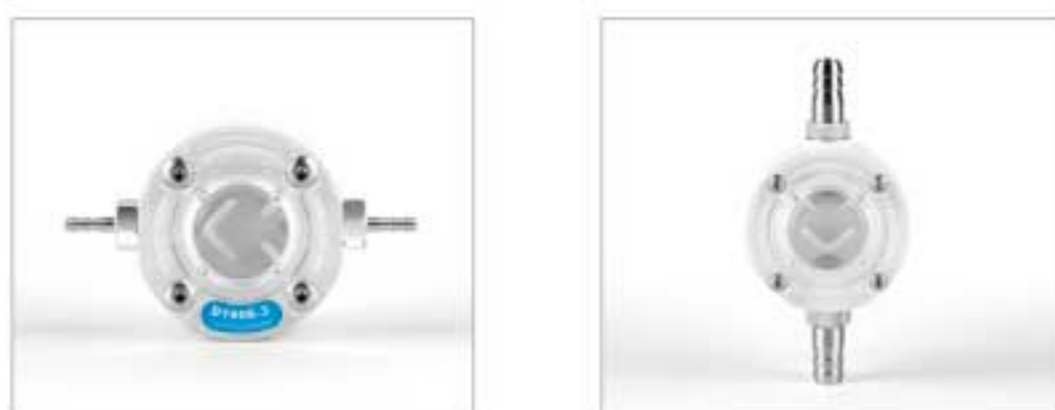
C Filling Countersunk



Used for the output of tube, preventing the tube floating or absorbing the wall of container.

Name	Material	Tube
Counter sunk	304/316 stainless steel	13", 14", 19", 16", 25", 17", 18", 15", 24", 35", 36", 26", 73", 82"










D Fluid Pulse Damper



Special design for peristaltic pump, effectively suppress the peristaltic pump pulsation and improve the flow rate accuracy. The pulsation suppression rate can reach more than 95%.

E Handling Dispenser



Filling nozzle and tubing cap			
Filling nozzle size	13"	14"	19"
Inner diameter	3mm	3.5mm	4.5mm
Picture			
Filling nozzle size	16"	15"/25"	17"/24"
Inner diameter	5mm	7mm	9mm
Picture			
Tubing size	17"	18"	Plum blossom cap
Inner diameter	9.6mm	11.1mm	
Picture			

Based on ergonomics design, elegant appearance, grip feeling comfortable, easy operation. Connect to peristaltic pump external control interface, with start/stop and full speed control, can realize transferring and dispensing function. Power supply and working indicator, show the dispenser working status. With hanging hole, can be hang up when do not use.

F Foot Pedal Switch



Control the pump start/stop with foot pedal switch.



G Tube Connector



a Straight tube connector



b "Y" tube connector



c Tee tube connector



d Reducer tube connector



e "L" tube connector



f Flexible/Hard tube connector

H PH Controller



Work with peristaltic pump, can control the liquid PH value, add acid or alkali automatically.

Function:

1. Liquid: Acid-Base Solutions
2. PH value : 0-14PH
3. Set up target PH value
4. Add acid or alkali liquid automaticall
5. Control: RS485 , 4-20mA
6. Power supply: DC24V (AC220V for option)
7. Suitable temperature: 0-60°C

I 5V Sensor



When applied in the dispensing line, it can detect whether there is filling bottle in the production line. When the bottle approach the sensor side, the switch action will be made without any mechanical contact or pressure, thereby providing filling control order to the pump. In the same way, when no filling bottle is detected, the stop filling control order is provided to the pump.

J Benchtop Tubing Cutter



Stainless steel blade, makes right-angle cuts in several sizes of plastic tubing.

K Support Stand



The multiple filling stand is suitable for more than 2 channels filling. It can hold 2-8 filling nozzles. We can customize the suitable one according to your request.



Peristaltic Pump Tubing

Silicone Tubing

- Platinum-cured silicone tubing
- Slightly clarity, smooth surface, low protein binding levels, fewer potential leachable .
- Ideal for pharmaceutical and biotechnology use, suitable temperature range $-51\sim 238\text{ }^{\circ}\text{C}$.

Micro Flow Rate Tubing										
Tubing Size	0.13×0.86	0.5×0.86	0.86×0.86	1.52×0.86	2.06×0.86	2.79×0.86	1×1	2×1	3×1	2.4×0.8
Tubing cross sections (1:1)										
Wall thickness (mm)	0.86						1.0		0.8	
Inside diameter (mm)	0.13	0.5	0.86	1.52	2.06	2.79	1.0	2.0	3.0	2.4
Maximum pressure (Mpa)	Continuous						0.1			
	Intermittent						0.1			






Basic Flow Rate Tubing												
Tubing Size	13°	14°	19°	16°	25°	17°	18°	15°	24°	35°	36°	
Tubing cross sections (1:1)												
Wall thickness	mm				1.6				2.4			
	inch				1/16				3/32			
Inside diameter	mm				0.8	1.6	2.4	3.2	4.8	6.4	7.9	9.6
	inch				1/32	1/16	3/32	1/8	3/16	1/4	5/16	3/8
Maximum pressure (Mpa)	Continuous				0.17		0.14	0.1	0.07	0.17		0.14
	Intermittent				0.27		0.24	0.14	0.1	0.27		0.24

Industrial Tubing								
Tubing Size	26°	73°	82°	86°	90°	88°	92°	
Tubing cross sections (1:1)								
Wall thickness	mm		3.3		6.4		4.8	
	inch		1/8		1/4		3/16	
Inside diameter	mm		6.4	9.6	12.7	9.5	12.7	25.4
	inch		1/4	3/8	1/2	3/8	1/2	1
Maximum pressure (Mpa)	Continuous		0.2		0.25			
	Intermittent		0.27		0.3			








Peristaltic Pump Tubing

SAINT-GOBAIN Tubing: Tygon, PharMed BPT, Norprene etc

	A Tygon3350	B Tygon E-3603	C Norprene Chemical	D PharMed	E Norprene A-60-F
					
Formulation	Tygon3350	Tygon R-3603	Norprene Chemical	PharMed	Norprene A-60-F
Application	Pharmaceutical, cosmetic, medical and auto-analysis application.	General laboratory, food & beverage, biopharmaceutical, analytical instruments.	Excellent for chemical processing and general industrial applications. Food and beverage applications where extractables are a concern.	Cell and tissue culture work and pharmaceutical uses. Also good for light-sensitive samples.	Ideal for the food, dairy and beverage.
Advantages	Ultra-smooth; minimizes bacterial growth. Good for mild to medium concentration bases, salts and alcohols; odorless, tasteless, and nontoxic. Transparent.	Inexpensive tubing for general lab application. Nonaging, nonoxidizing. Clear for easy flow monitoring. Handles virtually all inorganic chemicals. Low gas permeability. Smooth bore; good for viscous fluids. High dielectric constant.	Norprene thermoplastic elastomer outer jacket with chemically inert Tygon® 2075 inner bore for excellent chemical resistance. Plasticizer-free to guard against extractables. Long flex life. Opaque beige.	Great for tissue and cell work-nontoxic and nonhemolytic; long service life minimizes risk of fluid exposure; reduces tubing costs and pump downtime. Opaque to UV and visible light to protect light-sensitive fluids. Heat sealable, bondable, and formable. Extremely low gas permeability.	Heat, ozone, and UV light resistant. Nonaging; nonoxidizing; superior acid and alkali resistance. Opaque beige.
Application Suitability	—————	ACIDS GOOD ALKALIES GOOD ORGANIC SOLVENTS NO PRESSURE GOOD VACUUM GOOD VISCOUS FLUIDS EXCELLENT STERILE FLUIDS GOOD	—————	ACIDS GOOD ALKALIES GOOD ORGANIC SOLVENTS NO PRESSURE GOOD VACUUM EXCELLENT VISCOUS FLUIDS GOOD STERILE FLUIDS EXCELLENT	—————
Physical characteristics	—————	Thermoplastic. PVC-based material with plasticizer. Firm (stiff) material. Transparent, clear.	—————	Thermoplastic elastomer. Polypropylene-based material with USP mineral oil. Excellent tensile strength. Firm (stiff) material. Opaque, beige.	—————
Temp. range	-75 to 450° F (-60~232° C)	-58 to 165° F (-50~74° C)	-76 to 165° F (-60~74° C)	-60 to 270° F (-59~135° C)	-60 to 275° F (-51~135° C)
Meets classifications	FDA 21 CFR 177.2600 USP Class VI EP 3.1.9. Exceeds 3A standards Manufactured according to GMP.	FDA 21 CFR 175.300	None.	None.	FDA 21 CFR 177.2600 NSF listed (Standard 51) Manufactured according to GMP.
Cleaning/ Sterilization	Ethylene oxide gamma irradiation, or autoclave for 30 min, 15psi (1 bar).	Unaffected by commercial sanitizers (with recommended procedures) Sterilize with ethylene oxide (ETO) or autoclave. To autoclave: Coil loosely in nonlinting cloth or paper, autoclave at 121°C (250°F). 1KG/cm ³ (15psi) for 30 minutes (tubing will appear milky); air dry at max 66°C (150°F) for 2 to 2 ½ hours until clear.	Sterilize with ethylene-oxide(ETO), autoclave or gamma irradiation up to 2.5Mrad. Repeated autoclaving will not affect overall life.	Autoclave, ethylene oxide, or gamma irradiation.	Autoclave.



Peristaltic Pump Tubing

	F Norprene A-60-G	G Tygon F-4040-A	H Tygon LFL	I TYGON 2475	K Viton
					
Formulation	Norprene A-60-G	Tygon F-4040-A	Tygon LFL	TYGON 2475	Viton
Application	For applications requiring excellent chemical, heat, ozone, and ultra-violet (UV) light resistance.	Fuels and industrial lubricants-gasoline, kerosene, heating oils, cutting compounds, and glycol-based coolants. Resists most hydrocarbons.	General laboratory use, provides longer life with peristaltic tubing pumps.	Sensitive fluid transfer applications requiring high purity.	Acid and solvent transfer, high-temperature.
Advantages	Best choice for vacuum/pressure applications. Offers longest life with good flow consistency. Heat and ambient ozone resistant. Good resistance to acids/alkalies. Black color hides dirt and dust. Heat sealable, nonaging, and nonoxidizing. High dielectric constant.	Resists embrittlement and swelling, ozone-and UV-resistant, with low-extractability. Translucent yellow.	Longest life of all Tygon® peristaltic tubing (1000hrs). Nonaging, nonoxidizing. Clear for easy flow monitoring. Broad chemical resistance; low gas permeability. Smooth bore. Good for viscous fluids. High dielectric constant.	Plasticizer free, smooth inner surface (inhibits particulate buildup and bacterial growth), safely disposed of through incineration and nontoxic. Transparent.	The most chemical resistant tubing. Resistant to corrosives, solvents, and oils at elevated temperatures. Low gas permeability.
Application Suitability	ACIDS GOOD ALKALIES GOOD ORGANIC SOLVENTS NO PRESSURE EXCELLENT VACUUM EXCELLENT VISCOUS FLUIDS EXCELLENT STERILE FLUIDS NO	—————	ACIDS GOOD ALKALIES GOOD ORGANIC SOLVENTS NO PRESSURE GOOD VACUUM GOOD VISCOUS FLUIDS EXCELLENT STERILE FLUIDS POOR	—————	ACIDS EXCELLENT ALKALIES EXCELLENT ORGANIC SOLVENTS EXCELLENT PRESSURE GOOD VACUUM GOOD VISCOUS FLUIDS GOOD STERILE FLUIDS FAIR
Physical characteristics	Thermoplastic elastomer. Polypropylene-based material with USP mineral oil. Excellent tensile strength. Firm (stiff) material. Opaque, black. Manufactured according to GMP.	—————	Thermoplastic. PVC-based material with plasticizer. Firm (stiff) material. Transparent, clear.	—————	Thermal set rubber. Viton B (67% fluorine) Firm (stiff) material Opaque, black. Manufactured according to GMP.
Temp. range	-60 to 270° F (-59~135° C)	-35 to 165° F (-37~74° C)	-58 to 165° F (-50~74° C)	-94 to 125° F (-70~52° C)	-25 to 400° F (-32~205° C)
Meets classifications	None.	Meets NSF-51 and 3A sanitary standards.	USP Class VI, FDA 21 CFR 175.300	FDA 21 CFR 177.1520, USP 23 Class VI, Manufactured according to GMP.	None.
Cleaning/ Sterilization	Sterilize by autoclave only.	Not recommended.	Sterilize by ETO/autoclave. Coil loosely in nonlinting cloth or paper; autoclave at 250°F(121°C), 15 psi (1kg/cm ²), 30 minutes (tubing will appear milky); air dry at max 150°F (66°C) for 2 to 2 ½ hrs until clear.	Ethylene oxide or gamma irradiation.	Sterilization is not recommended.



Innofluid Co., Ltd.

Address: Building 10, No. 860, Xinyang Road,
Lingang New Area, Pilot Free Trade Zone, Shanghai,
China

Website: www.innofluid.com

Email: info@innofluid.com