

O₃ Compact Ancillaries

COMPACT OZONE CONTACT DEGASSING CHAMBER

APPLICATION

Degassing & contact of ozone in water treatment applications

CONTACT TANK TECHNOLOGY

Triogen Limited through 30 years of experience understands how to get the maximum benefit from ozone system. We have designed and manufactured an ozone contact chamber which enhances the ozone transfer into water, while separating and venting the gas.

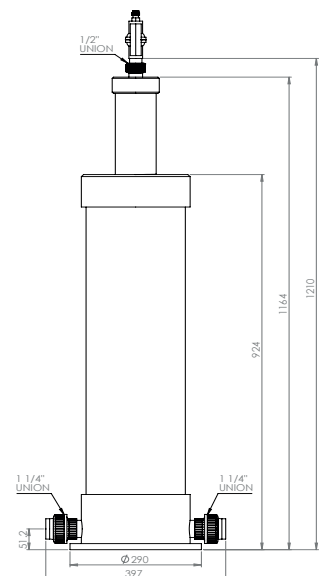
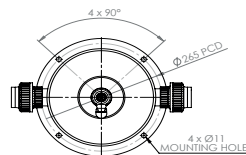
The ozone gas and water are effectively mixed prior to entering the contact chamber. This maximises the transfer efficiency and the mixed gas has time to diffuse into the water in a confined space under pressure. The units are designed specifically to provide a highly efficient contact time between the gas and water.

MAIN FEATURES

- T-Bar double diffusing system
- Combined contact tank & vent valve
- Compact design
- Cleaner gas venting
- Minimal maintenance requirement
- Continuous flow venting

SPECIFICATION

- Working Pressure - 3.5 Bar
- Test Pressure - 5.25 Bar
- Vessel Water Volume - 25.5 Litres
- Rated Air Flow - up to 30 Litres/min
- Maximum Gas Venting - 30 Litres/min
- Dimensions - \varnothing 290mm x 1210mm
- Inlet & Outlet connections - 1" or 1/4" Unions
- (Optional reducing bushes supplied)
- Metric connections available as an option
- Mounting Holes - \varnothing 11 on \varnothing 265 PCD
- Weight - 16.5 kg (Dry), 42 kg (Wet)



O₃ Compact Ancillaries

COMPACT CARBON OFF GAS DESTRUCTOR & WATER TRAP

APPLICATION

Destroys off gas ozone & provides a water trap to safely handle ozone surges.

DESTRUCTOR TECHNOLOGY

Triogen Limited through 30 years of experience appreciates the importance of safe management ozone gas. For this reason we developed the combined carbon off gas destructor and water trap to safely destroy and control ozone off gas produced as part of your water treatment process.

The ozone off gas enters the system where it is equally dispersed through a layer of gravel and carbon to safely destroy the ozone and release the safe gas back into the atmosphere (or released into a remote well ventilated area through piping the venting cap). This system is designed to ensure ease of maintenance with clear visibility of both the carbon and the water to ensure these are kept at safe levels at all times.

MAIN FEATURES

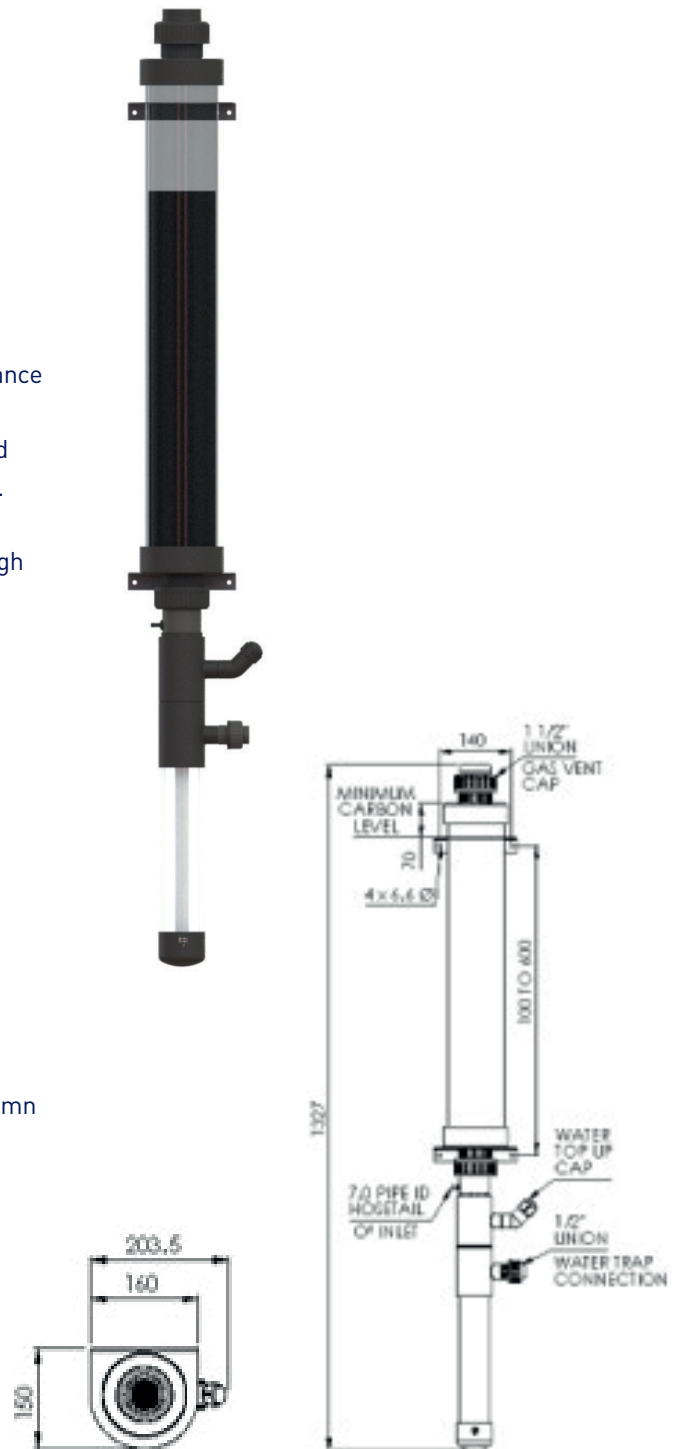
- Combined Destructor and Water Trap
- Easy system integration
- Clean gas venting cap
- Visible carbon and water level
- Contained system to minimise spillage of water
- Water trap overflow connection to allow control of spillages
- Dispersal Nozzle Design to spread ozone throughout destructor column

SPECIFICATION

- Dimensions - Ø203.5mm x 1327mm x 150mm
- Inlet Connection - 7mm ID Pipe
- Water Trap Overflow Connection - 1/2" Union
- Optional Gas Vent Cap Connection - 1 1/2" Union
- Mounting Holes - Ø6.6
- Weight - 3 kg (Carbon only), 0.75 kg (Gravel only), 3.5 kg (Dry/Empty weight), 9.25 kg (Total Wet/Full weight)

CONTACT

Triogen Limited
Unit 14 Langlands Place, East Kilbride G75 0YF
Scotland, United Kingdom
Tel: + 44 (0) 13 55 220 598
Fax: + 44 (0) 13 55 570 058
www.triogen.com
info@triogen.com



Your local distributor: