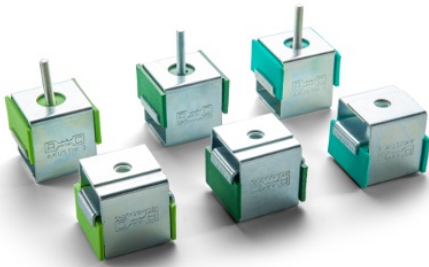


AKUSTIK 3 + SYLOMER®



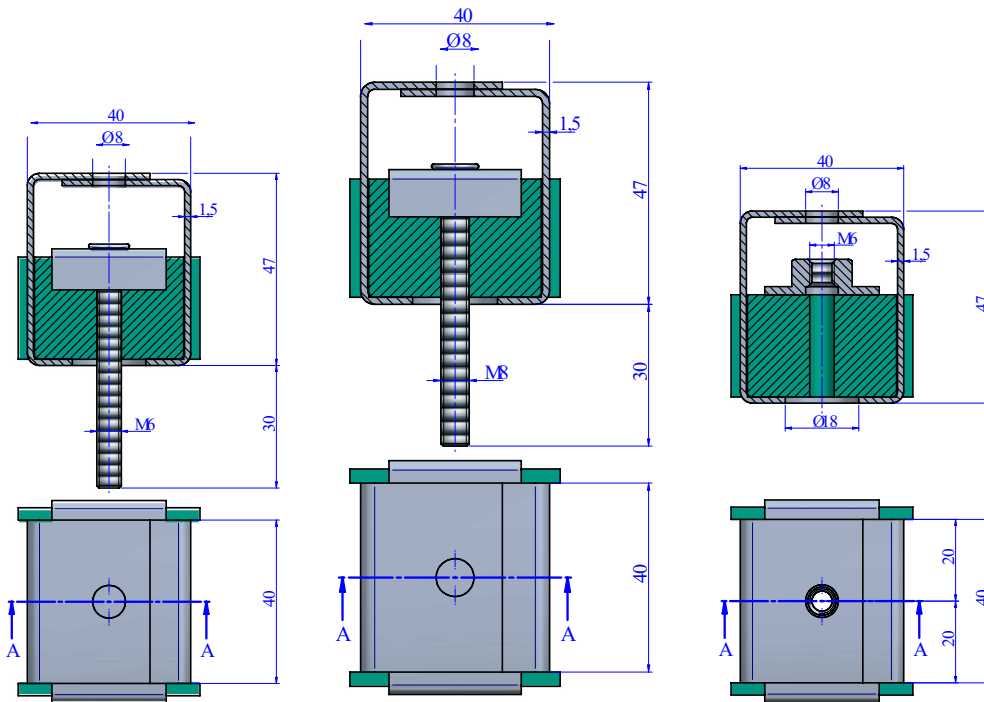
These acoustic hangers have been conceived for the suspension of false ceilings, vibrating pipelines and machinery that has to be suspended.

The excellent properties of the Sylomer® microcellular polyurethane material achieve elevated isolation values as opposed to other mounts that use rubber or cork, or a combination of both. These antivibration mounts are manufactured in two special mixes of Sylomer® to adapt better to the load of each application.

A great variety of fixing metal armors and elements facilitate the installation and to adapt better to each type of job. Their rugged metal parts can withstand tensile stresses from 650Kg to 1000Kg. They are supplied with an anticorrosive treatment that can withstand the toughest environments.



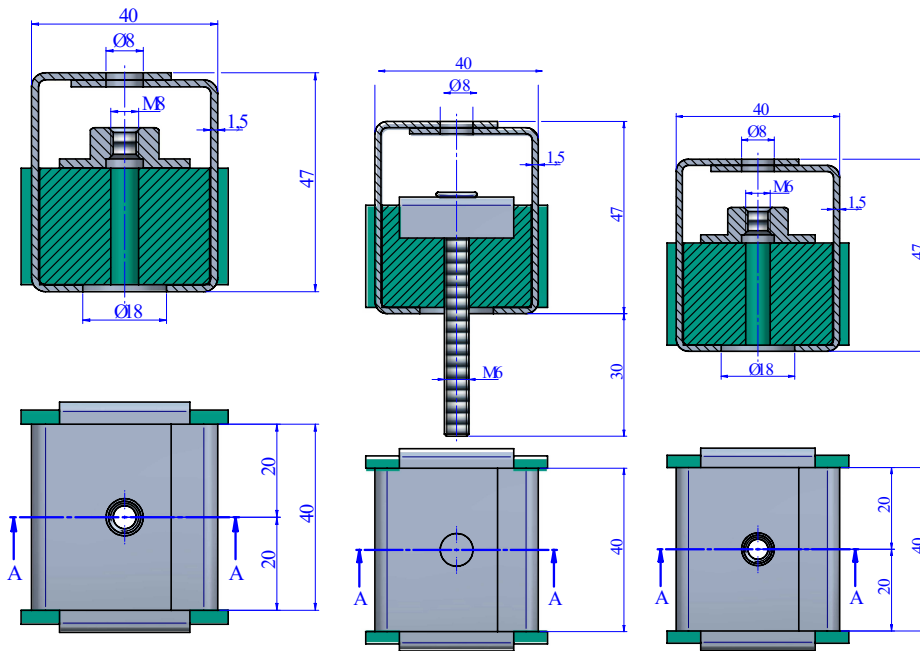
DRAWINGS



DIMENSIONS

	Type	SUMMARY	LOAD kg MAX	Weight (kg)	Code
	Akustik 3 + Sylomer®15 type A	Metal armor of the akustik 3 secured to the ceiling by an M6 screw and with a nut.	15	0,133	23135
	Akustik 3 + Sylomer®15 type A M8	Metal armor of the akustik 3 secured to the ceiling by an M8 screw and with a nut.	15	0,133	23207
	Akustik 3 + Sylomer®15 type B	Metal armor of the akustik 3 secured to the ceiling by an M6 screw and with a nut.	15	0,133	23186

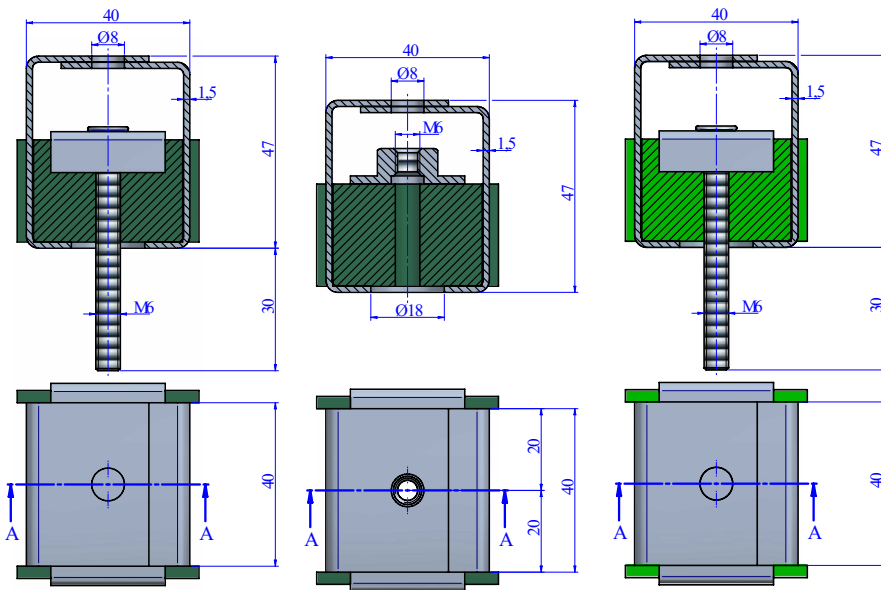
DRAWINGS



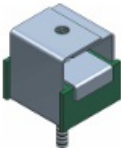
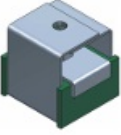
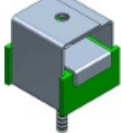
DIMENSIONS

	Type	SUMMARY	LOAD kg MAX	Weight (kg)	Code
	Akustik 3 + Sylomer@15 type B M8	Metal armor of the akustik 3 secured to the ceiling by an M8 screwand with a nut.	15	0,133	23208
	Akustik 3 + Sylomer@30 Type A	Metal armor of the akustik 3 secured to the ceiling by an M6 screwand with a nut.	30	0,13	23503
	Akustik 3 + Sylomer@30 Type B	Metal armor of the Akustik 4 secured to the ceiling by a welded M6 nut.	30	0,136	23511

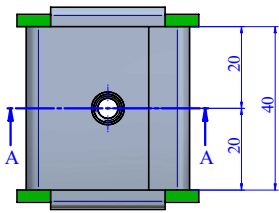
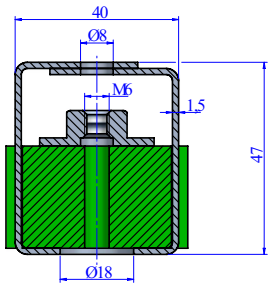
DRAWINGS



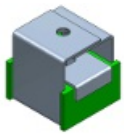
DIMENSIONS

	Type	SUMMARY	LOAD kg MAX	Weight (kg)	Code
	Akustik 3 + Sylomer@50 Type A	Metal armor of the akustik 3 secured to the ceiling by an M6 screw and with a nut.	50	0,13	23569
	Akustik 3 + Sylomer@50 Type B	Metal armor of the Akustik 4 secured to the ceiling by a welded M6 nut.	50	0,136	23570
	Akustik 3 + Sylomer@75 Type A	Metal armor of the akustik 3 secured to the ceiling by an M6 screw and with a nut.	75	0,14	23519

DRAWINGS



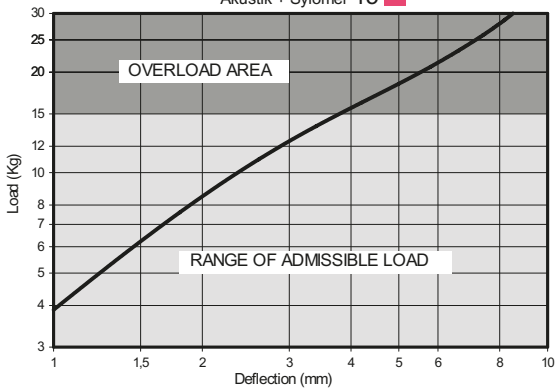
DIMENSIONS

	Type	SUMMARY	LOAD kg MAX	Weight (kg)	Code
	Akustik 3 + Sylomer®75 Type B	Metal armor of the Akustik 4 secured to the ceiling by a welded M6 nut.	75	0,14	23527

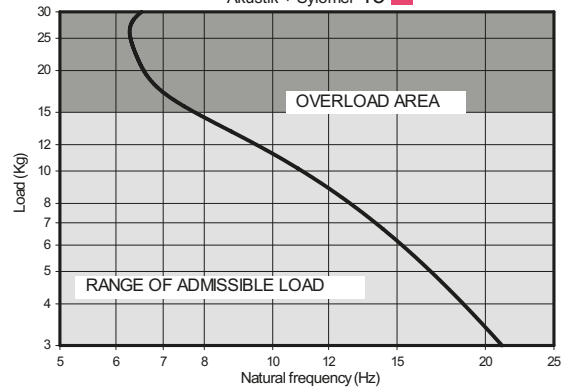
Christian Berner Oy +358 9 2766 830 • infofi@christianberner.com • christianberner.fi

Elastical properties

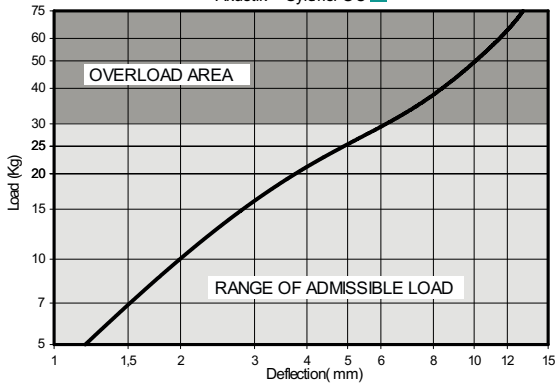
LOAD-DEFLECTIONING RAPH
Akustik + Sylomer 15



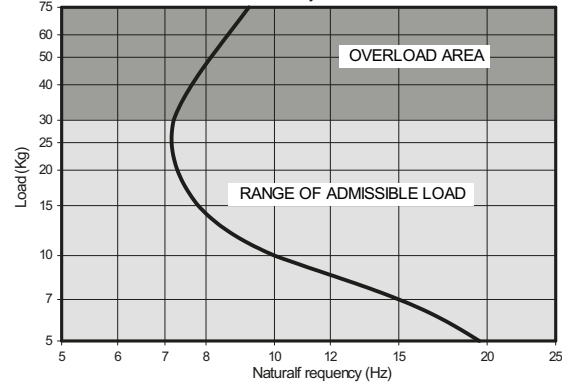
NATURAL FREQUENCY GRAPHS
Akustik + Sylomer 15



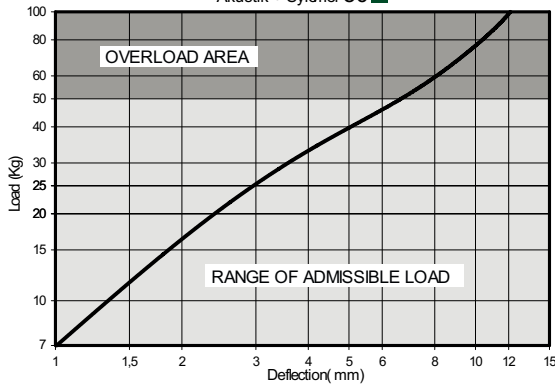
Akustik + Sylomer 30



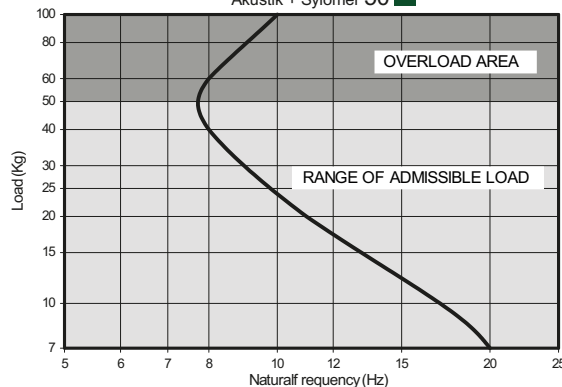
Akustik + Sylomer 30



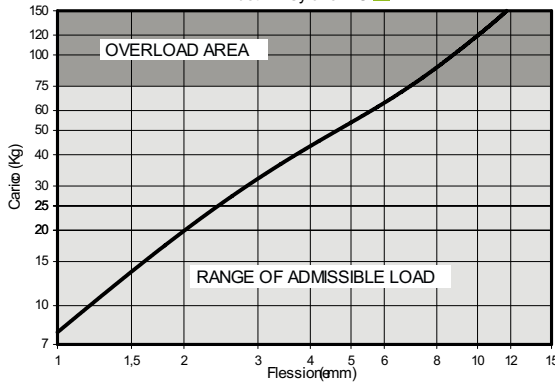
Akustik + Sylomer 50



Akustik + Sylomer 50



Akustik + Sylomer 75



Akustik + Sylomer 75

