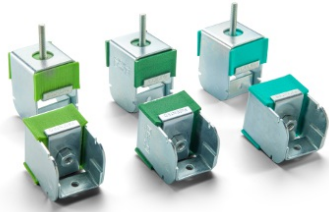


Akustik + Sylomer®

## AKUSTIK RAPID + SYLOMER®



These acoustic hangers have been conceived for the suspension of false ceilings, vibrating pipelines and machinery that has to be suspended.

The excellent properties of the Sylomer® microcellular polyurethane material achieve elevated isolation values as opposed to other mounts that use rubber or cork, or a combination of both. These antivibration mounts are manufactured in two special mixes of Sylomer® to adapt better to the load of each application.

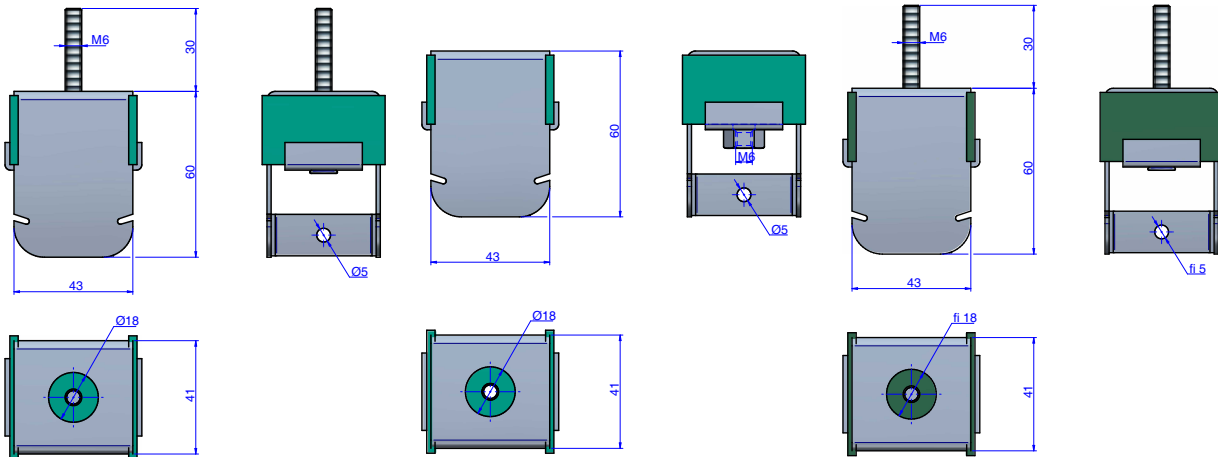
A great variety of fixing metal armors and elements facilitate the installation and to adapt better to each type of job. Their rugged metal parts can withstand tensile stresses from 650Kg to 1000Kg. They are supplied with an anticorrosive treatment that can withstand the toughest environments.





Akustik + Sylomer®

# AKUSTIK RAPID + SYLOMER®

DRAWINGS NOTE: in Finland Type T60 used, width 60mm



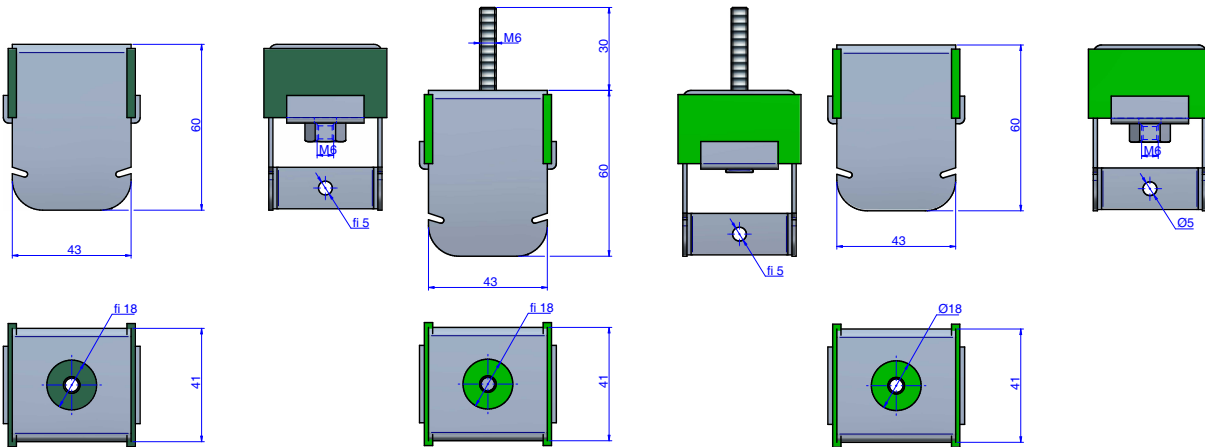
## DIMENSIONS

	Type	SUMMARY	LOAD kg MAX	Weight (kg)	Code
	Akustik Rapid T60+ Sylomer@30 Type A	Metal armor of the Akustik rapid secured to the ceiling by an M6 screw.	30	0,165	23534
	Akustik Rapid T60+ Sylomer@30 Type B	Metal armor of the Akustik Safety secured to the ceiling by an M6 screw.	30	0,165	23518

# Akustik + Sylomer®

## AKUSTIK RAPID + SYLOMER®

### DRAWINGS



### DIMENSIONS

	Type	SUMMARY	LOAD kg MAX	Weight (kg)	Code
	Akustik Rapid + Sylomer@50 Type B	Metal armor of the Akustik Safety secured to the ceiling by an M6 screw.	50	0,165	23583
	Akustik Rapid + Sylomer@75 Type A	Metal armor of the Akustik rapid secured to the ceiling by an M6 screw.	75	0,175	23523
	Akustik Rapid + Sylomer@75 Type B	Metal armor of the Akustik Safety secured to the ceiling by an M6 screw.	75	0,175	23531

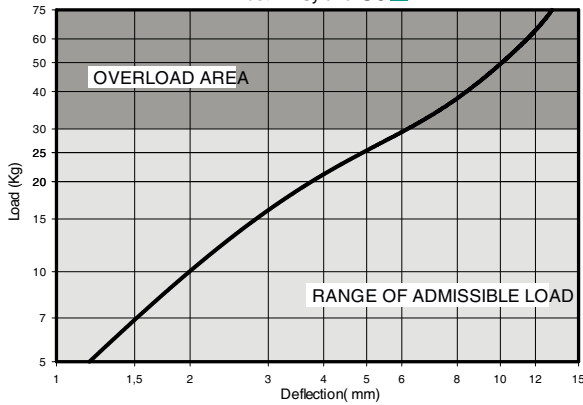
# Akustik + Sylomer®

## AKUSTIK RAPID + SYLOMER®

### Elastical properties

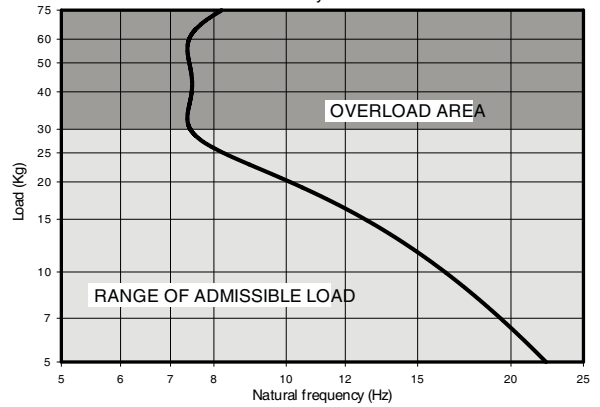
LOAD/DEFLECTION GRAPH

Akustik + Sylmer 30

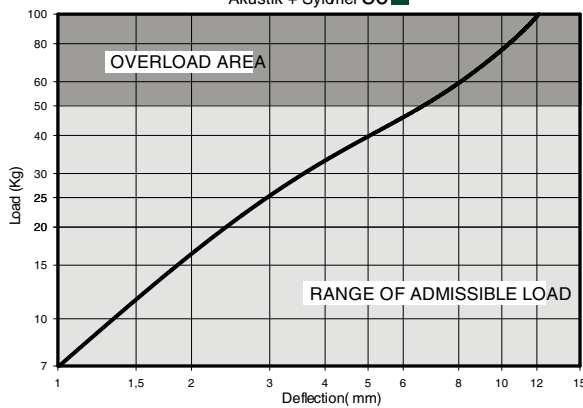


NATURAL FREQUENCY

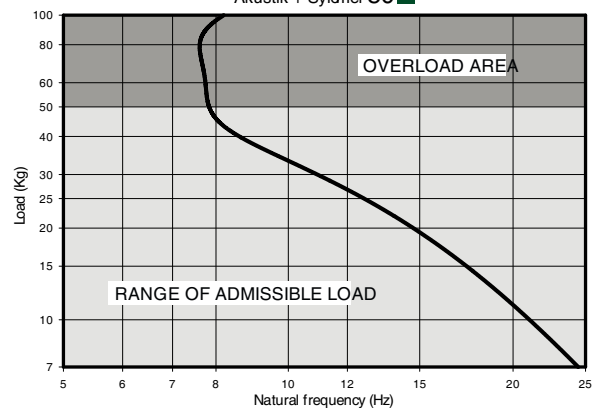
Akustik + Sylmer 30



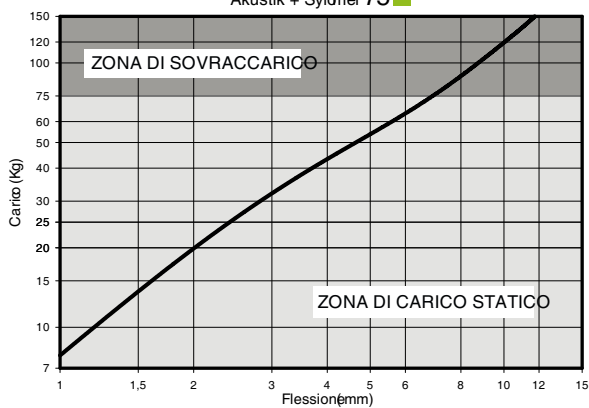
Akustik + Sylmer 50



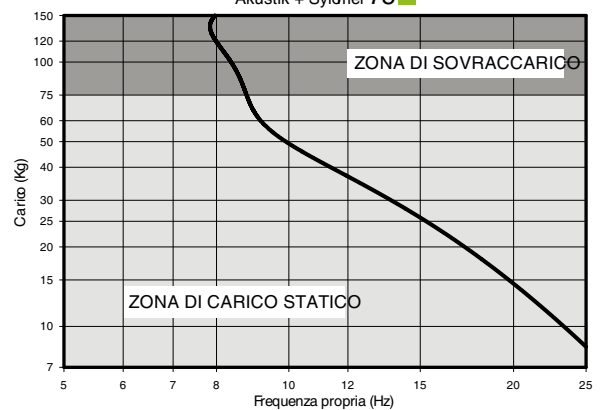
Akustik + Sylmer 50



Akustik + Sylmer 75



Akustik + Sylmer 75



## Akustik + Sylomer®

# AKUSTIK RAPID + SYLOMER®

### OPERATION AND ASSEMBLY



- 1.- Fix threaded wall plugs to the ceiling
- 2.- Screw studbolts into the threaded wall plugs
- 3.- Attach the acoustic hangers to the end of the studbolt
- 4.- Level the hangers using a laser alignment tool
- 5.- Fix the profiles to the acoustic hangers
- 6.- Profiles fixed in position
- 7.- Lower the safety flanges into position
- 8.- Install supplementary fixings (optional) to provide additional safety feature
- 9.- Acoustic hangers and profiles fixed
- 10.- Place transverse profiles in position
- 11.- Fix transverse profiles
- 12.- Position plasterboards in place
- 13.- Plasterboards fixed.
- 14.- Plasterboards fixed. MIN/MAX Distances (Type A) MIN/MAX Distances (Type B)