

AKUSTIK SUPER T60 + SYLOMER®



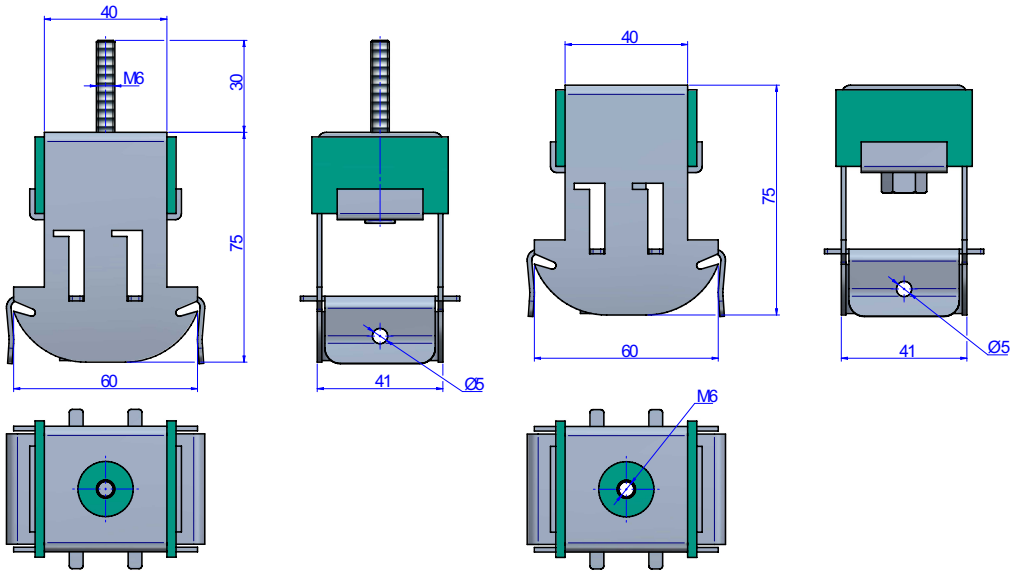
These acoustic hangers have been conceived for suspension from suspended ceilings, vibrating pipelines and machinery that has to be suspended. The excellent properties of the Sylomer® microcellular polyurethane achieve elevated isolation values as opposed to other mounts using rubber or cork, or a combination of both.

TECHNICAL CHARACTERISTICS

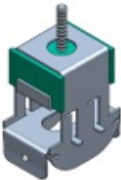

These antivibration mounts are manufactured in two special mixes of Sylomer® to adapt better to the load of each application. A great variety of fixing metal armors and elements facilitate installation and adapt better to each type of job. Their rugged metal parts withstand can tensile stresses from 650 kg to 1000 kg. They are supplied with an anticorrosive treatment that can withstand the toughest environments.



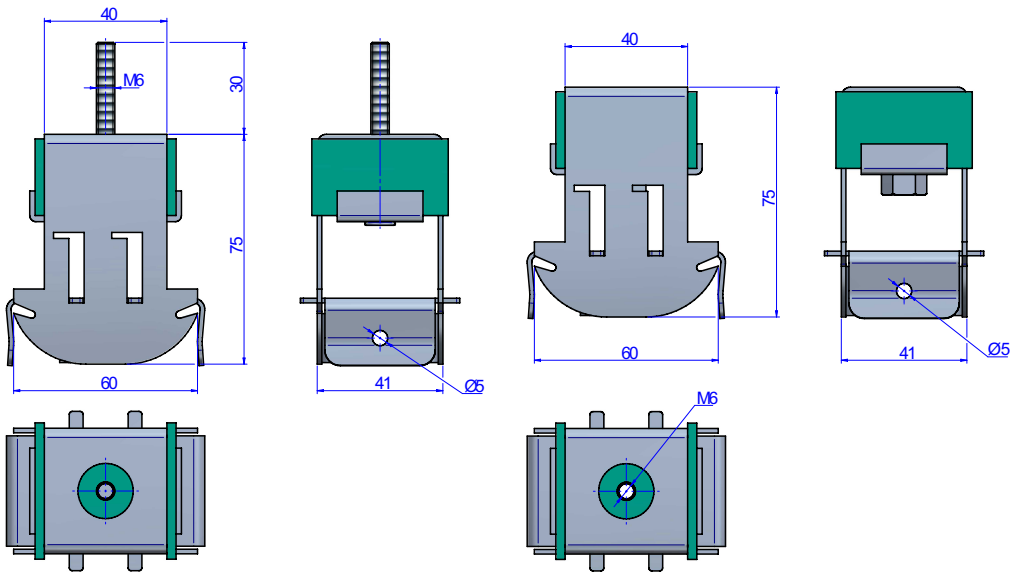
DRAWINGS



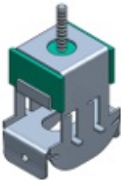

DIMENSIONS

	Type	SUMMARY	LOAD kg MAX	Weight (kg)	Code
	Akustik Super T-60 + Sylomer®15 type A	Metal armor of the Akustik Super secured to the ceiling by an M6 screw.	15	0,133	23195
	Akustik Super T-60 + Sylomer®15 tipo B	Metal armor of the Akustik Super secured to the ceiling by an M6 screw.	15	0,133	23196

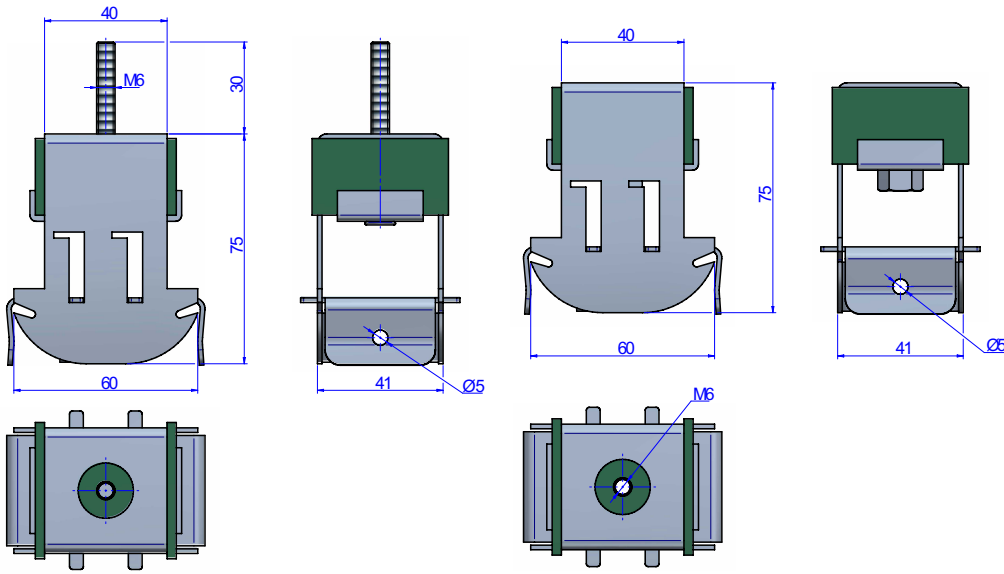
DRAWINGS





DIMENSIONS

	Type	SUMMARY	LOAD kg MAX	Weight (kg)	Code
	Akustik Super T60 + Sylomer®30 Type A	Metal armor of the Akustik Super secured to the ceiling by an M6 screw.	30	0,189	23831
	Akustik Super T60 + Sylomer®30 Type B	Metal armor of the Akustik Super secured to the ceiling by an M6 screw.	30	0,184	23832

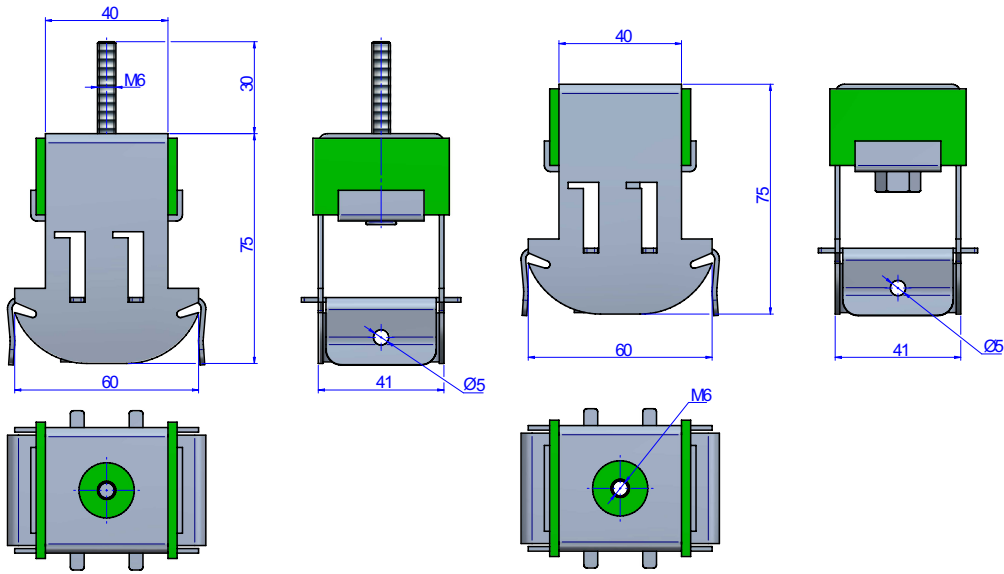
DRAWINGS



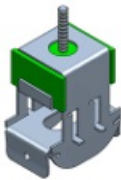
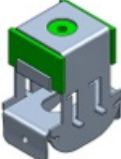
DIMENSIONS

	Type	SUMMARY	LOAD kg MAX	Weight (kg)	Code
	Akustik Super T60 + Sylomer®50 Type A	Metal armor of the Akustik Super secured to the ceiling by an M6 screw.	50	0,189	23590
	Akustik Super T60 + Sylomer®50 Type B	Metal armor of the Akustik Super secured to the ceiling by an M6 screw.	50	0,184	23591

DRAWINGS



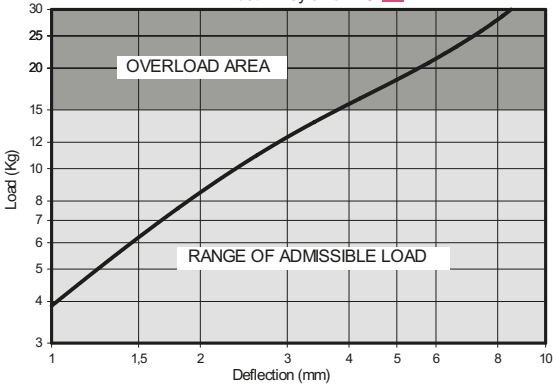
DIMENSIONS

	Type	SUMMARY	LOAD kg MAX	Weight (kg)	Code
	Akustik Super T60 + Sylomer®75 Type A	Metal armor of the Akustik Super secured to the ceiling by an M6 screw.	75	0,198	23851
	Akustik Super T60 + Sylomer®75 Type B	Metal armor of the Akustik Super secured to the ceiling by an M6 screw.	75	0,194	23852

Elastical properties

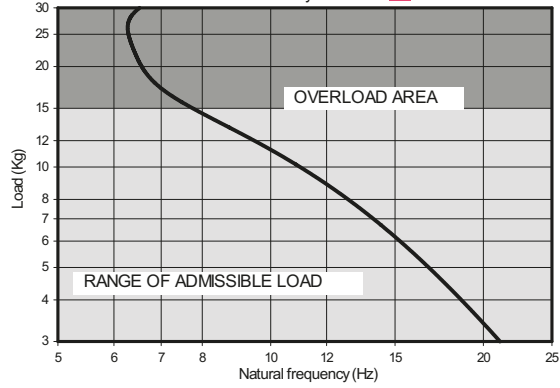
LOAD-DEFLECTIONING RAPH

Akustik + Sylomer 15

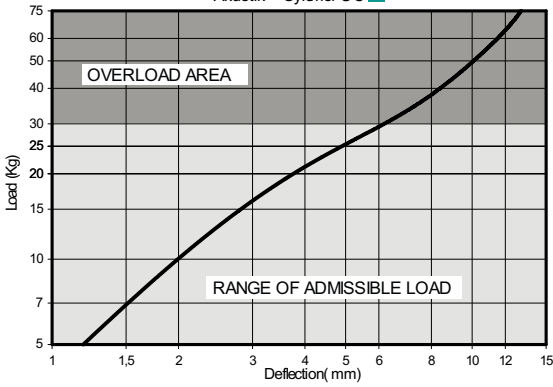


NATURAL FREQUENCY GRAPHS

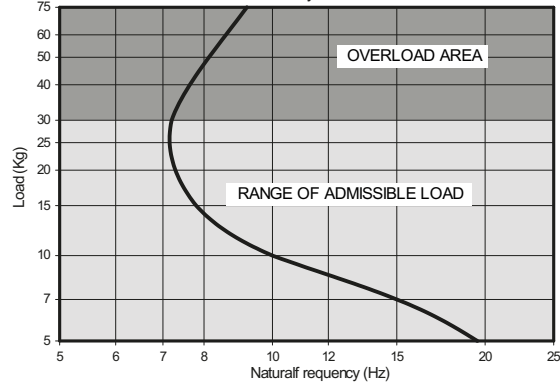
Akustik + Sylomer 15



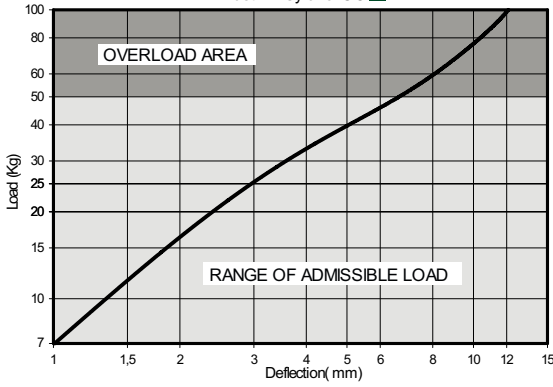
Akustik + Sylomer 30



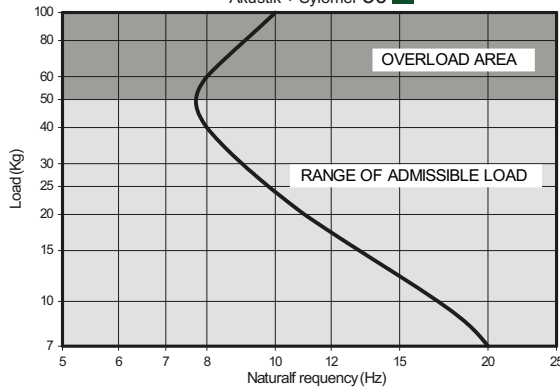
Akustik + Sylomer 30



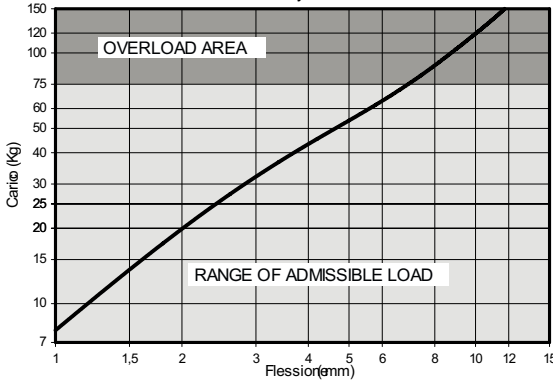
Akustik + Sylomer 50



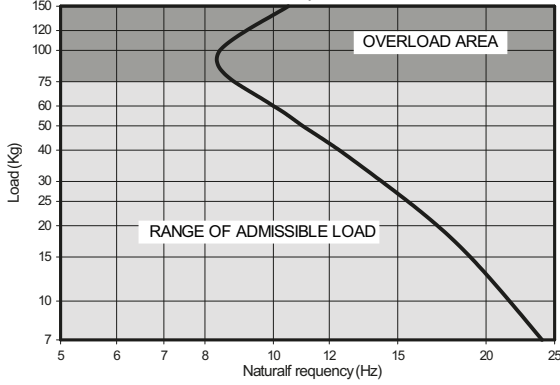
Akustik + Sylomer 50



Akustik + Sylomer 75



Akustik + Sylomer 75



Christian Berner Oy +358 9 2766 830 • infofi@christianberner.com • christianberner.fi