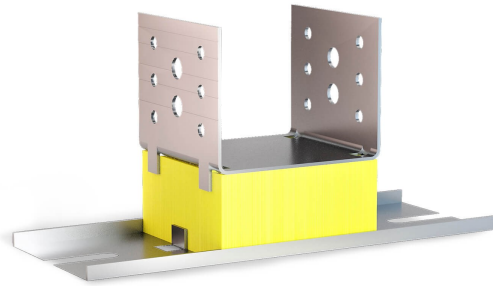


AKUSTIK+SYLOMER® FLOOR MOUNT



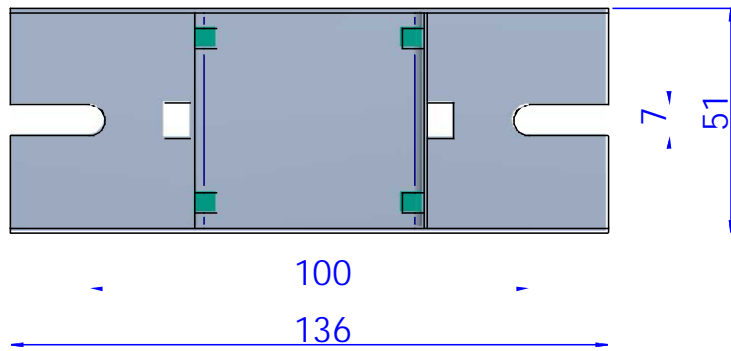
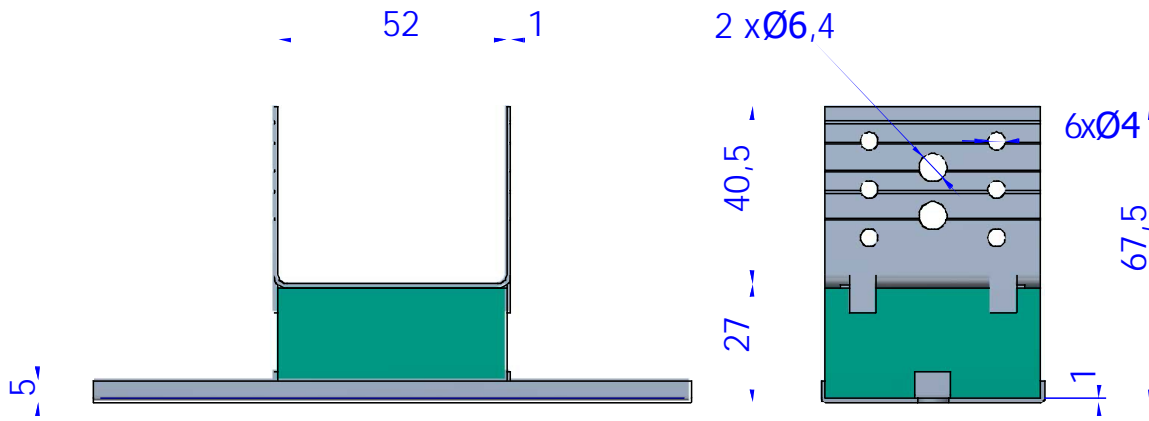
Akustik+Sylomer® Floor Mounts have been conceived for the suspension of floating floors. The excellent properties of the Sylomer® microcellular polyurethane achieve elevated isolation values as opposed to other mounts using rubber or cork, or a combination of both.

These antivibration mounts are manufactured in two special mixes and thickness of Sylomer® to adapt better to the load of each application.

A great variety of fixing metal armors and elements facilitate installation and adapt better to each type of job. Their rugged metal parts withstand can tensile stresses. They are supplied with an anticorrosive treatment that can withstand the toughest environments.



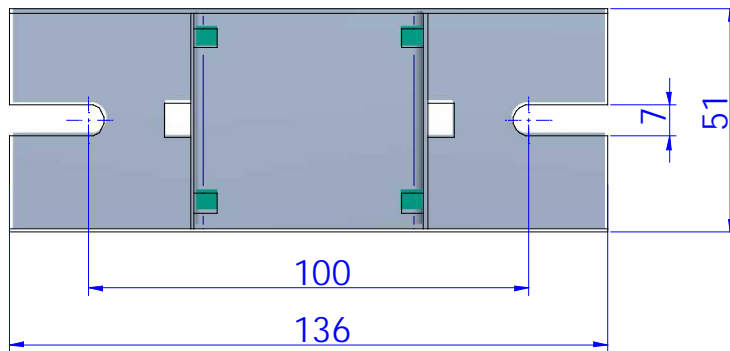
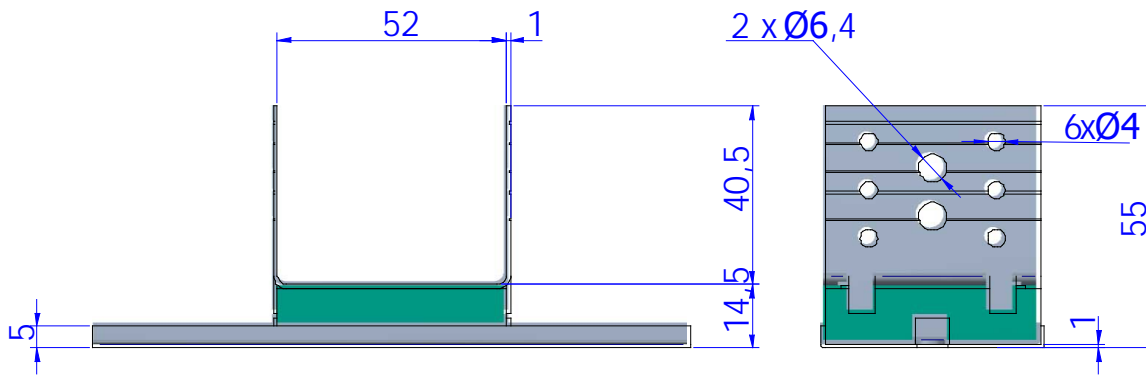
DRAWINGS



DIMENSIONS

Type	SUMMARY	Weight (kg)	Max. Load (kg)	THICKNESS (mm)	Code
Akustik+Sylomer® 25 Floor Mount	Mounts for installing wooden floors with batten system.	-	25	25	23562

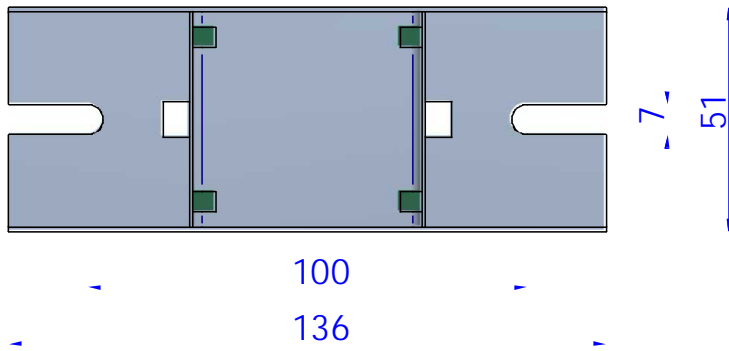
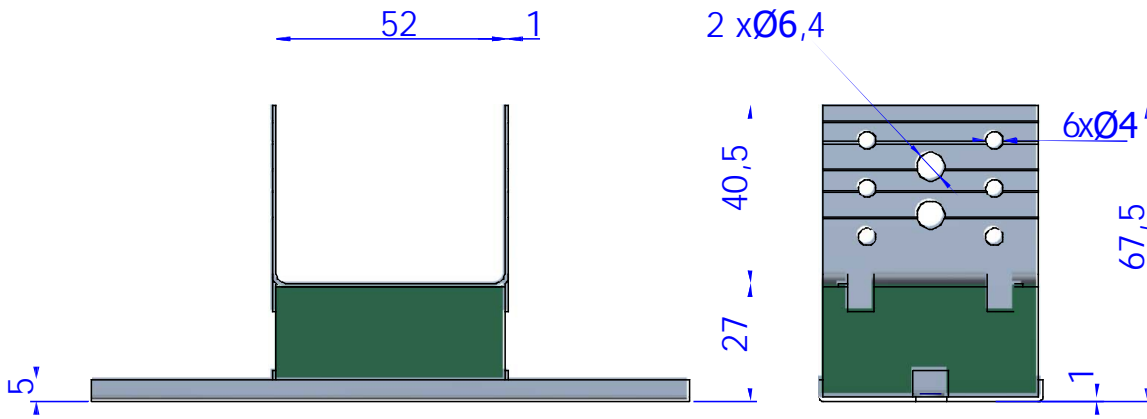
DRAWINGS



DIMENSIONS

Type	SUMMARY	Weight (kg)	Max. Load (kg)	THICKNESS (mm)	Code
Akustik+Sylomer® 30 Floor Mount	Mounts for installing wooden floors with batten system.	-	30	12	23561

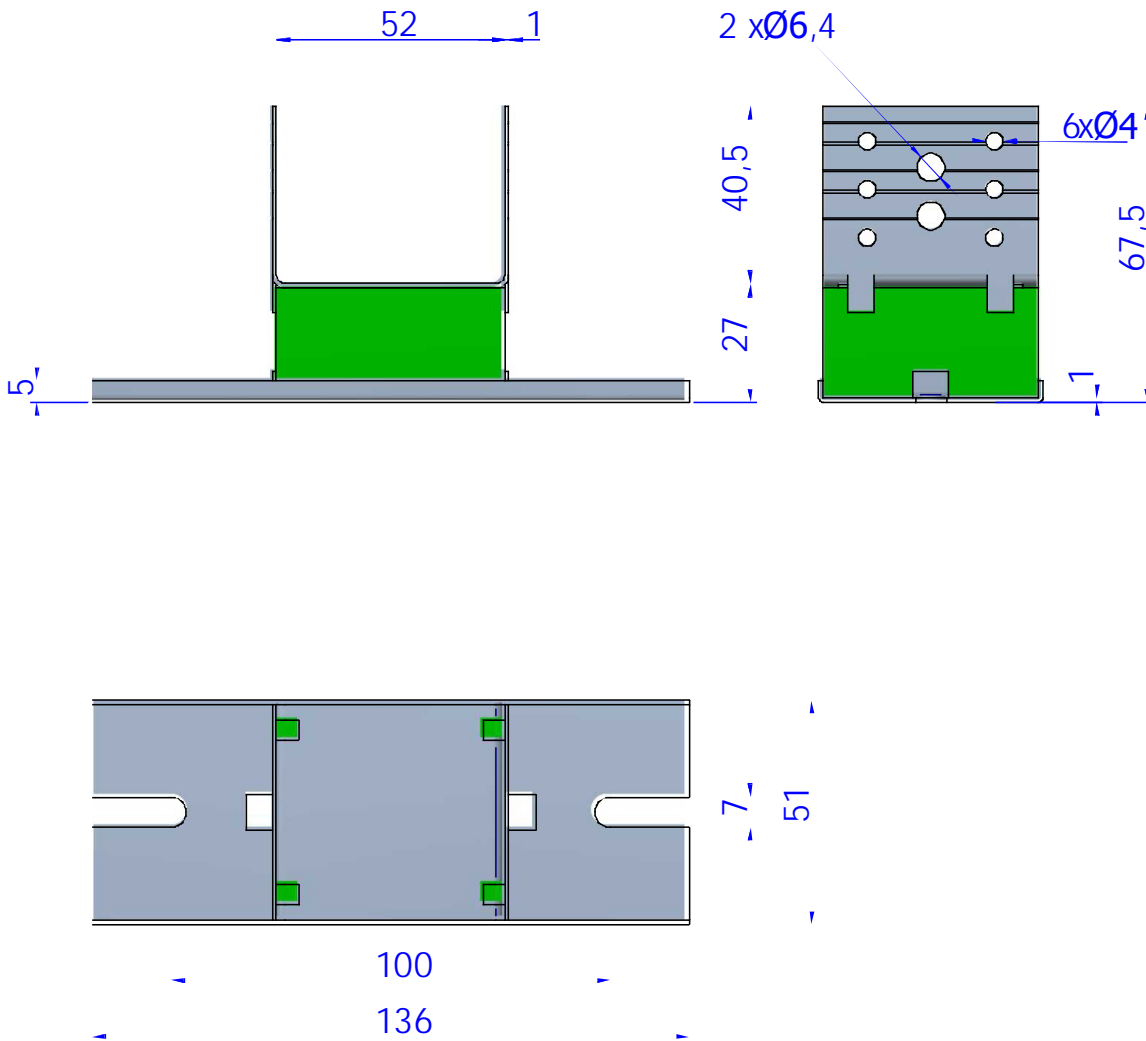
DRAWINGS



DIMENSIONS

Type	SUMMARY	Weight (kg)	Max. Load (kg)	THICKNESS (mm)	Code
Akustik+Sylomer® 40 Floor Mount	Mounts for installing wooden floors with batten system.	-	40	25	23261

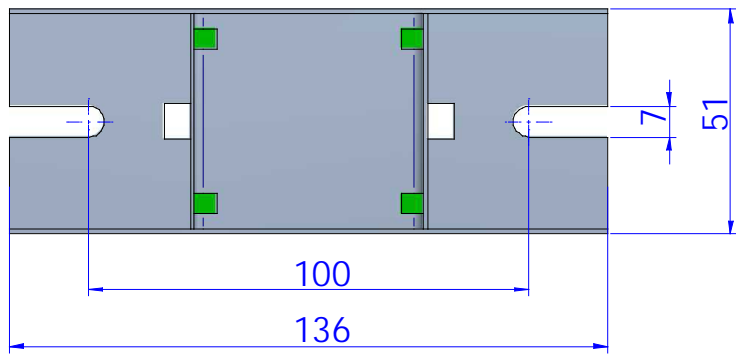
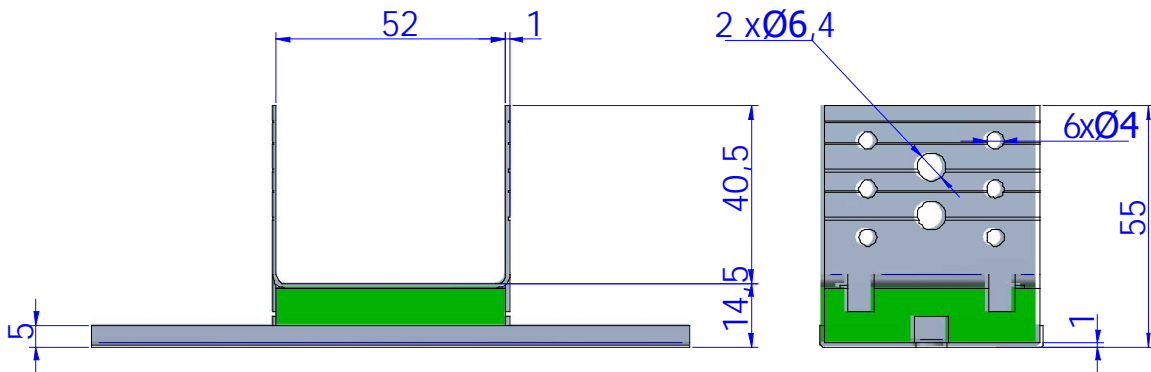
DRAWINGS



DIMENSIONS

Type	SUMMARY	Weight (kg)	Max. Load (kg)	THICKNESS (mm)	Code
Akustik+Sylomer® 75 Floor Mount	Mounts for installing wooden floors with batten system.	-	75	25	23564

DRAWINGS



DIMENSIONS

Type	SUMMARY	Weight (kg)	Max. Load (kg)	THICKNESS (mm)	Code
Akustik+Sylomer® 100 Floor Mount	Mounts for installing wooden floors with batten system.	-	100	12	23563