

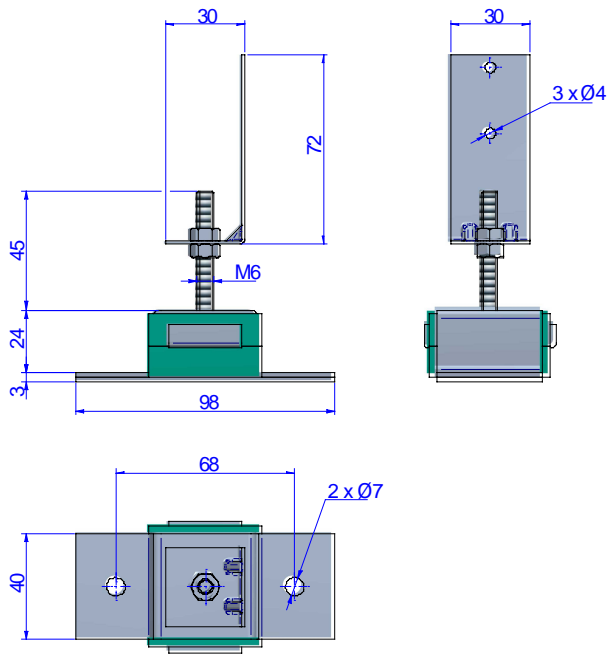
EP 400 + SYLOMER®



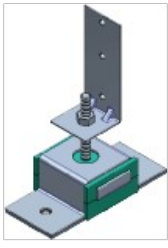
Acoustic wall ties range designed for the floating suspension of soundproofed walls. Sylomer® avoids the transmission of vibrations while providing optimal acoustic results. They have a "FAIL SAFE" rugged metal structure, which is overload-proof. Recommended for applications where fire or impact resistance is necessary. These mounts are also suitable for the isolation of vertical pipes, or any type of lightweight ducts that need to be isolated.



DRAWINGS

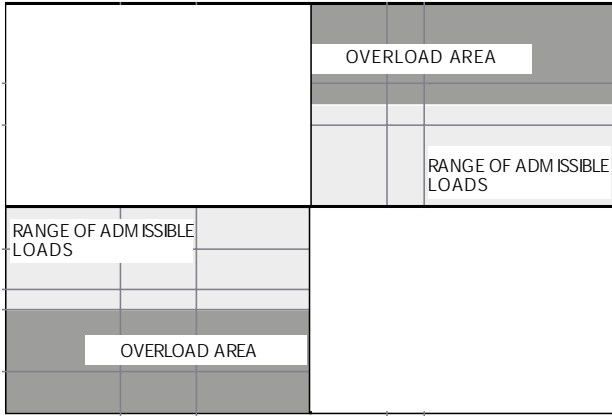


DIMENSIONS

	Type	SUMMARY	LOAD kg MAX	Weight (kg)	Code
	EP 400 + Sylomer	It is secured to the wall by means of two holes. It has a male M6 metal insert and also an "L" welded nut for securing to the profile.	30	0,192	23705

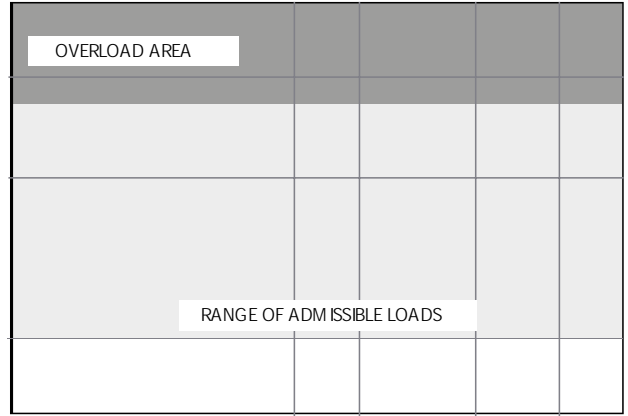
Elastical properties

LOAD DEFLECTION GRAPH
EP Akustik+Sylomer®



Deflection (mm)

NATURAL FREQUENCY GRAPH
EP Akustik+Sylomer®



Frequency (Hz)

Rubber Metal anti vibration mounts

EP 400 + SYLOMER®