

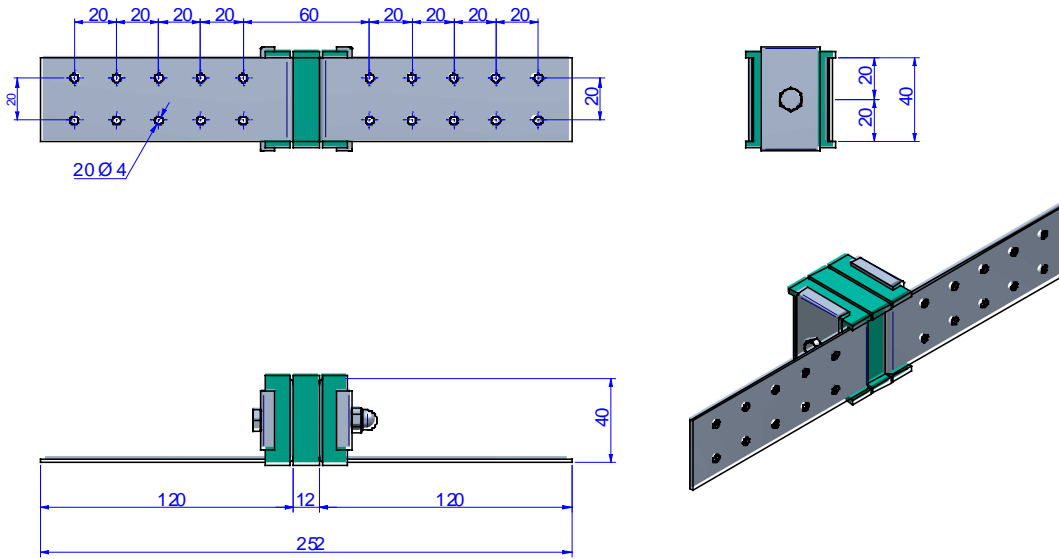
# EP 600 + SYLOMER®



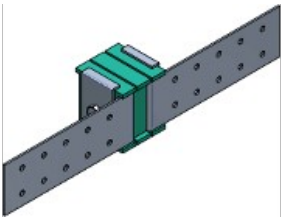
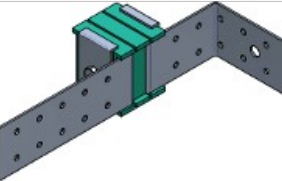
Acoustic wall ties range designed for the floating suspension of soundproofed walls. Sylomer® avoids the transmission of vibrations while providing optimal acoustic results. They have a "FAIL SAFE" rugged metal structure, which is overload-proof. Recommended for applications where fire or impact resistance is necessary. These mounts are also suitable for the isolation of vertical pipes, or any type of lightweight ducts that need to be isolated.



DRAWINGS

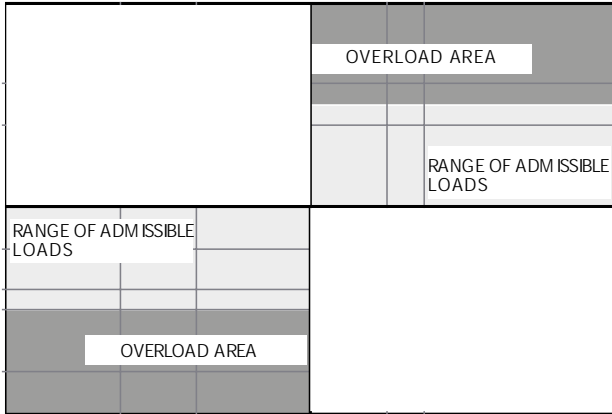


DIMENSIONS

	Type	SUMMARY	LOAD kg MAX	Weight (kg)	Code
	EP 600 + Sylomer	They are secured by two "predrilled" and easy-to-cut pins to facilitate their installation.	30	0,24	23707
	EP 650 + Sylomer	They are secured by two "predrilled" and bent pins to facilitate their installation. This principle can be used to make a wide range of variants. Contact us if you require a product more adapted to your building technique.	30	0,24	23709

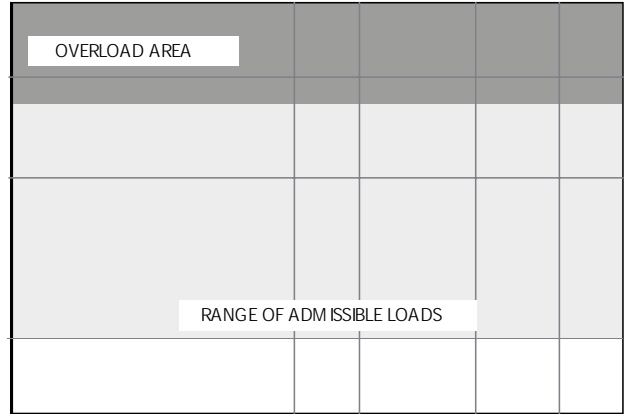
Elastical properties

LOAD DEFLECTION GRAPH  
EP Akustik+Sylomer®



Deflection (mm)

NATURAL FREQUENCY GRAPH  
EP Akustik+Sylomer®



Frequency (Hz)

