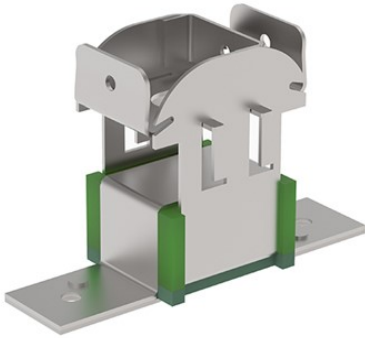


EP 700 SUPER + SYLOMER®

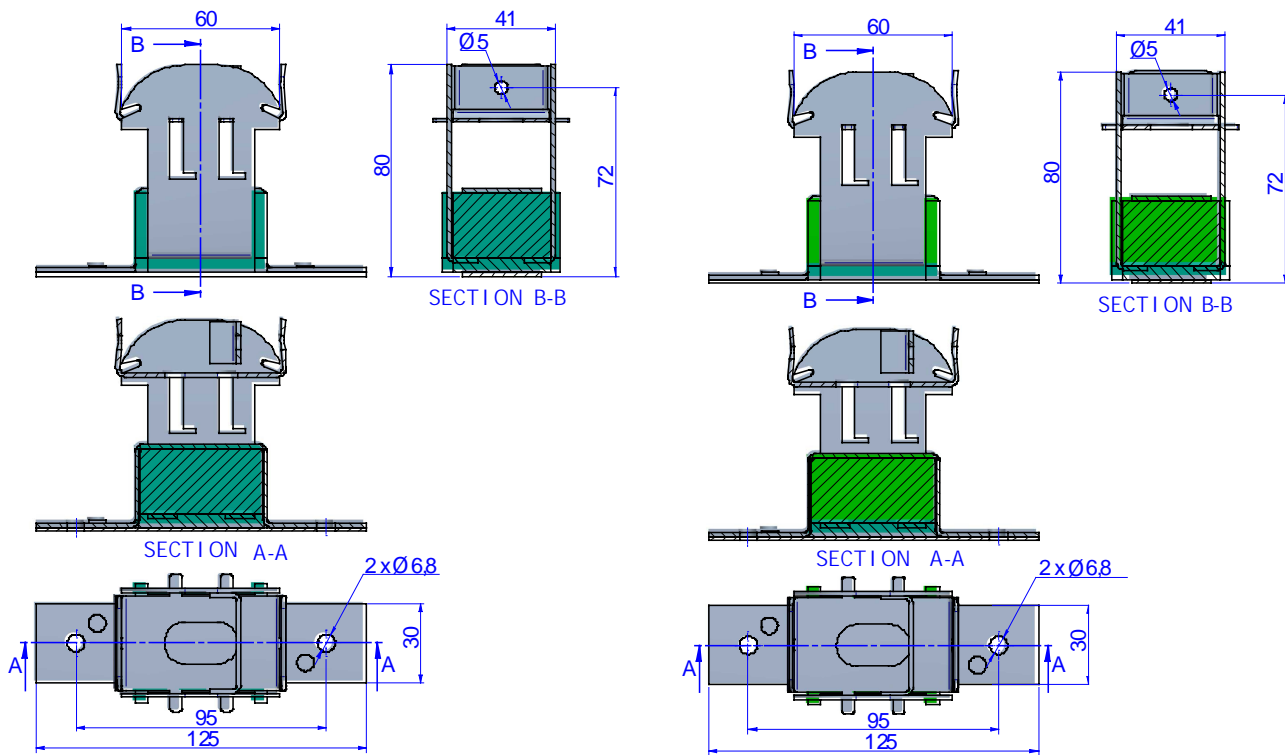


The EP 700 Super + Sylomer® type anti-vibration mounts have a direct fixing. This allows a simple and quick installation without the use of threaded rods.

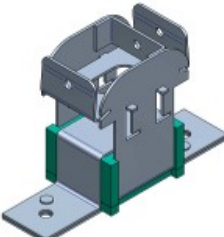
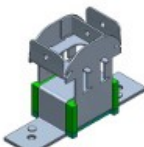
The EP 700 + Sylomer® is particularly suitable for wooden ceilings, it is usually fixed to the ceiling with two screws.



DRAWINGS



DIMENSIONS

	Type	SUMMARY	Weight (kg)	Max. Load (kg)	Code
	EP 700 Super + Sylomer 30	They are secured by two "predrilled" and bent pins to facilitate their installation. This principle can be used to make a wide range of variants. Contact us if you require a product more adapted to your building technique.	0,28	30	23745
	EP 700 Super + Sylomer 75	They are secured by two "predrilled" and bent pins to facilitate their installation. This principle can be used to make a wide range of variants. Contact us if you require a product more adapted to your building technique.	0,28	75	23746