

# ELEMENTRA® 14

## Canister filling station

Cost-effective solution. The pre-configured canister filling station ELEMENTRA® 14 is suitable for canister heights between 100 and 600 mm but can also be set up for a fixed canister height, if required. In mobile version the filling station can simply be relocated to the new place.

### BENEFITS

- Very cost-effective solution
- Flexible filling solution
- Shortest delivery time
- Quick installation and simple operation
- Easy maintenance
- Stainless steel and acid protection design available
- Variety of essential accessories

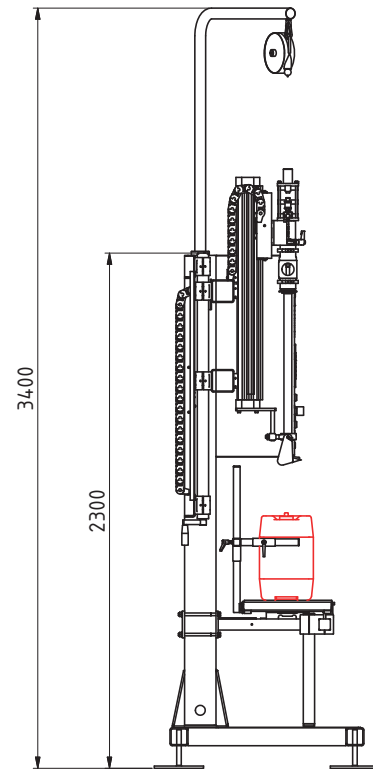
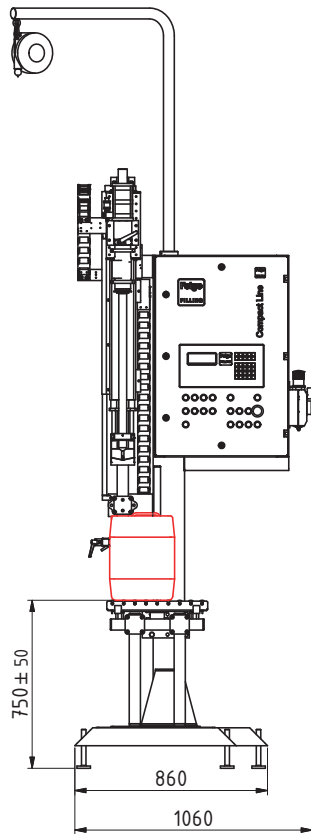


### TECHNICAL DATA

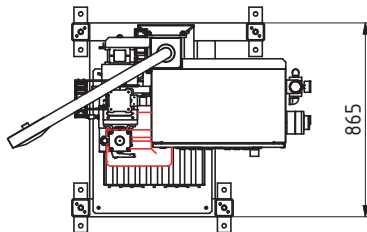
Version without base height adjustment	14.1-0-00		14.3-0-00
Version with base height adjustment	14.1-B-00		14.3-B-00
Filling mode	Below-surface		Below-bunghole
Air consumption [NI/cycle]	30		20

# ELEMENTRA<sup>®</sup> 14

Canister filling station



Configuration example



## TECHNICAL DATA

ATEX design	II 2G c IIB T3
Electrical design	230 V/N/PE, 50-60Hz, 0.5kVA
Weighing range	0.5 kg to 6 kg, increment 0.002 kg, to 15 kg, incr. 0.005 kg, to 30 kg, incr. 0.01 kg or 2.5 to 15 kg, increment 0.005 kg, to 30 kg, incr. 0.01 kg, to 60 kg, incr. 0.02 kg
External control	2 dry contacts or 4-20 mA signal for controlling an on-site pump or a pilot valve for coarse/fine fill
Base height range of adjustment	500 mm continuously adjustable via crank handle (check container according to customer specifications!)
Required air pressure	5 bars dynamic
Product connection	Feige square flange (according to customer specifications)
Weight	approx. 300 kg
Ambient temperature	5-35°C
Product temperature	0-130°C
Nominal output	120-180 canister/h