

ELEMENTRA® 16

Pivoting pallet filling station

Quicker filling on pallets. The pre-configured pivoting pallet filling station ELEMENTRA® 16 convinces by many essential accessories from the FEIGE modular system, such as automatic or controlled drip collecting device, overflow signal or gas exhaust, even directly at the filling orifice, inerting, well-matching product hose system or drain funnel.

BENEFITS

- Very cost-effective equipment
- Highly flexible filling solution
- Shortest delivery time
- Quick installation and simple operation
- Easy maintenance
- Stainless steel and acid protection design available
- Variety of essential accessories

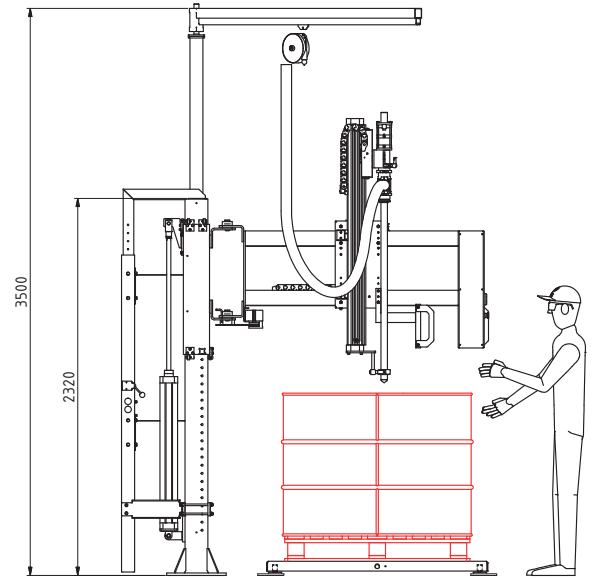
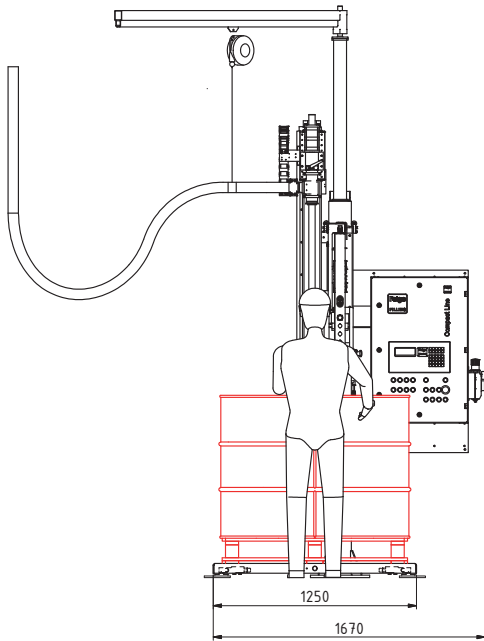


TECHNICAL DATA

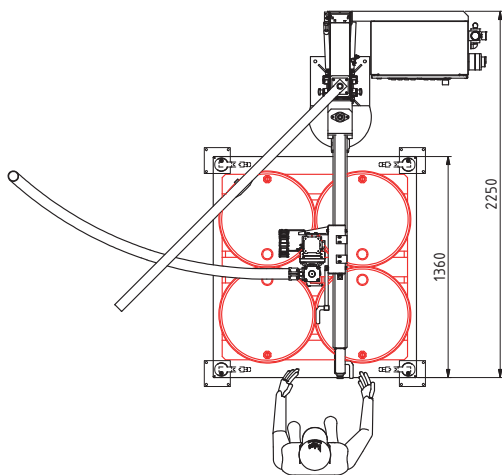
Version without base height adjustment	16.1-0-00	16.2-0-00	16.3-0-00
Version with base height adjustment	16.1-B-00	16.2-B-00	16.3-B-00
Filling modes	Below-surface	Above-surface	Below-bunghole
Air consumption [NI/cycle]	40	2	30

ELEMENTRA[®] 16

Pivoting pallet filling equipment



Configuration example



TECHNICAL DATA

ATEX design	II 2G c IIB T3
Electrical design	3x400V or 230V/N/PE, 50-60Hz, 0.5kVA
Weighing range*	10 kg to 300 kg, increment 0.1 kg / to 1,200 kg, increment 0.5 kg or 20 kg to 600 kg, increment 0.2 kg / to 1,500 kg, increment 0.5 kg or 20 kg to 600 kg, increment 0.2 kg / to 2,000 kg, increment 1 kg
External control	2 dry contacts or 4-20 mA signal for controlling an on-site pump or a pilot valve for coarse/fine fill
Base height range of adjustment	550 mm - 1.350 mm pneumatic in 50 mm steps or continuously adjustable
Required air pressure	5 bars dynamic
Product connection	Feige square flange
Weight	approx. 500 kg
Ambient temperature	5-35°C
Product temperature	0-130°C
Nominal output	up to 60 drums/h for 7l/s in coarse fill

* Weighing range approved for verification depend on the scale base and may differ, not appropriate for pit scale base with folding load plate