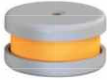
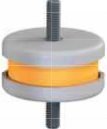
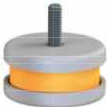



Isotop® Compact

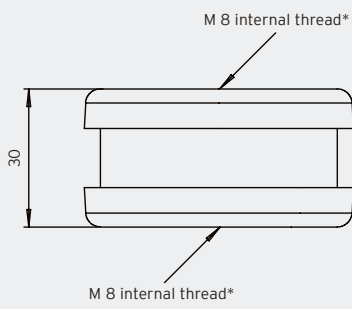
Vibration damper for low installation heights,
with diverse attachment options

- Natural frequency from 10 Hz
- Very low overall height of 30 mm (T/T version)
- Load capacity of up to 95 kg per element
- Sylomer® or Sylodyn® inside
- High level of corrosion protection
- Secure connection between the plate and the polyurethane damper thanks to special adhesive
- M8 internal thread and/or M8 stud bolts for easy screw-fixing
- Available in four different attachment options
- Can also be used as an anti-slip machine base (B/- version)

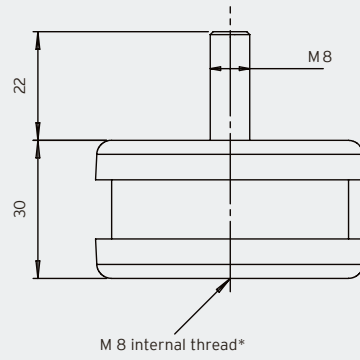
		Maximum load		Natural frequency at maximum load	Packaging unit	Order number
		in kg	in N			
Compact T/T 	Isotop® Compact-4 T/T	4	41	12.1 Hz	50 pcs.	39504
	Isotop® Compact-9 T/T	9	93	10.3 Hz	50 pcs.	39505
	Isotop® Compact-15 T/T	15	147	11.5 Hz	50 pcs.	39506
	Isotop® Compact-20 T/T	27	264	10.7 Hz	50 pcs.	39507
	Isotop® Compact-40 T/T	40	392	10.1 Hz	50 pcs.	38884
	Isotop® Compact-50 T/T	50	491	10.9 Hz	50 pcs.	39508
	Isotop® Compact-70 T/T	78	765	10.3 Hz	50 pcs.	39509
	Isotop® Compact-100 T/T	95	931	10.5 Hz	50 pcs.	39511
Compact B/B 	Isotop® Compact-4 B/B	4	41	12.1 Hz	50 pcs.	39521
	Isotop® Compact-9 B/B	9	93	10.3 Hz	50 pcs.	39522
	Isotop® Compact-15 B/B	15	147	11.5 Hz	50 pcs.	39523
	Isotop® Compact-20 B/B	27	264	10.7 Hz	50 pcs.	39524
	Isotop® Compact-40 B/B	40	392	10.1 Hz	50 pcs.	39525
	Isotop® Compact-50 B/B	50	491	10.9 Hz	50 pcs.	39526
	Isotop® Compact-70 B/B	78	765	10.3 Hz	50 pcs.	39527
	Isotop® Compact-100 B/B	95	931	10.5 Hz	50 pcs.	39529
Compact B/T 	Isotop® Compact-4 B/T	4	41	12.1 Hz	50 pcs.	39512
	Isotop® Compact-9 B/T	9	93	10.3 Hz	50 pcs.	39513
	Isotop® Compact-15 B/T	15	147	11.5 Hz	50 pcs.	39514
	Isotop® Compact-20 B/T	27	264	10.7 Hz	50 pcs.	39515
	Isotop® Compact-40 B/T	40	392	10.1 Hz	50 pcs.	39516
	Isotop® Compact-50 B/T	50	491	10.9 Hz	50 pcs.	39517
	Isotop® Compact-70 B/T	78	765	10.3 Hz	50 pcs.	39518
	Isotop® Compact-100 B/T	95	931	10.5 Hz	50 pcs.	39520
Compact B/- 	Isotop® Compact-4 B/-	4	41	12.1 Hz	50 pcs.	41135
	Isotop® Compact-9 B/-	9	93	10.3 Hz	50 pcs.	41136
	Isotop® Compact-15 B/-	15	147	11.5 Hz	50 pcs.	41137
	Isotop® Compact-20 B/-	27	264	10.7 Hz	50 pcs.	41138
	Isotop® Compact-40 B/-	40	392	10.1 Hz	50 pcs.	41139
	Isotop® Compact-50 B/-	50	491	10.9 Hz	50 pcs.	41140
	Isotop® Compact-70 B/-	78	765	10.3 Hz	50 pcs.	41141
	Isotop® Compact-100 B/-	95	931	10.5 Hz	50 pcs.	41143

Compact -70 and -100: Not held in stock. Delivery time on request

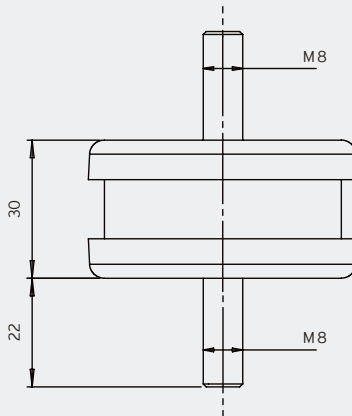
Isotop® Compact T/T (unladen)



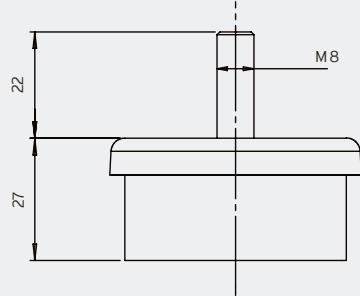
Isotop® Compact B/T (unladen)



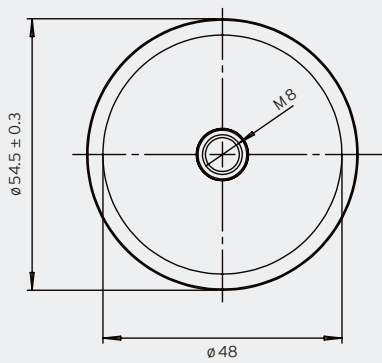
Isotop® Compact B/B (unladen)

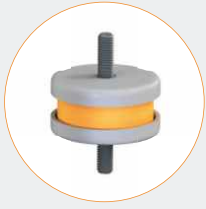


Isotop® Compact B/- (unladen)



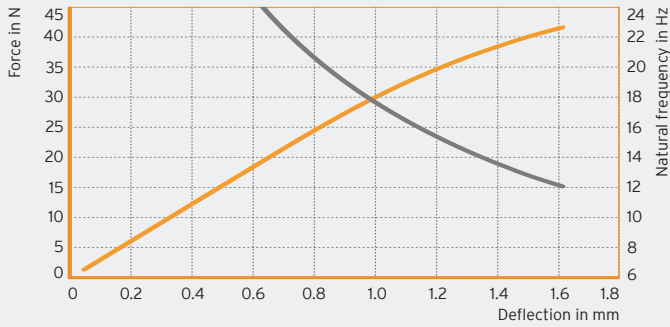
* Thread reach for internal thread maximum 7 mm



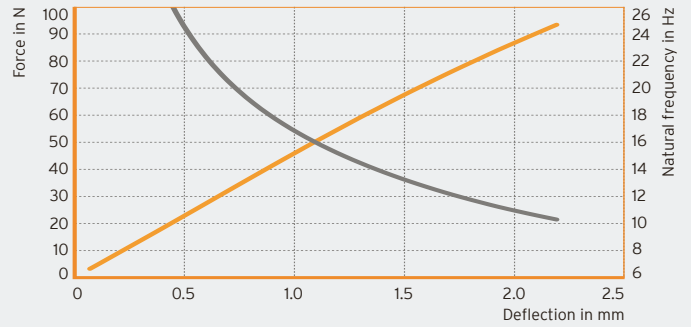


Isotop® Compact

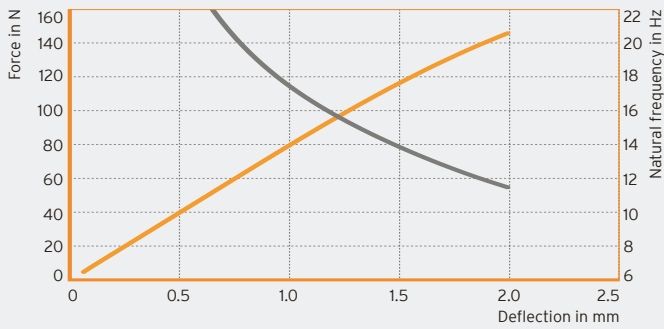
Isotop® Compact 4



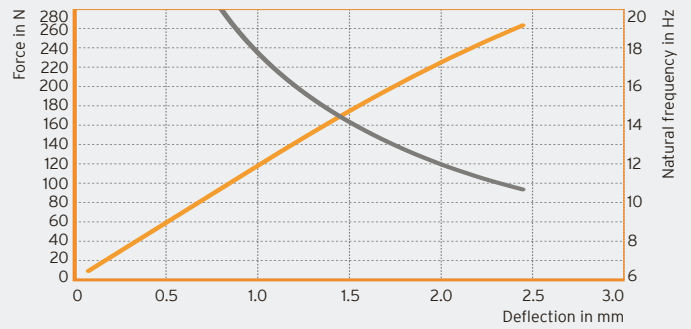
Isotop® Compact 9



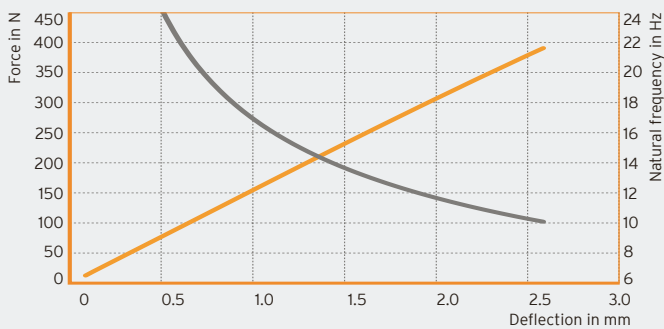
Isotop® Compact 15



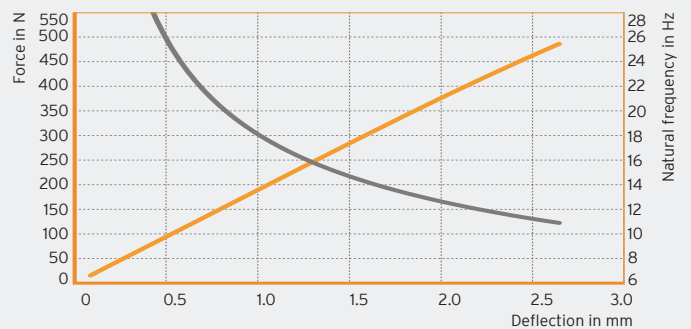
Isotop® Compact 20



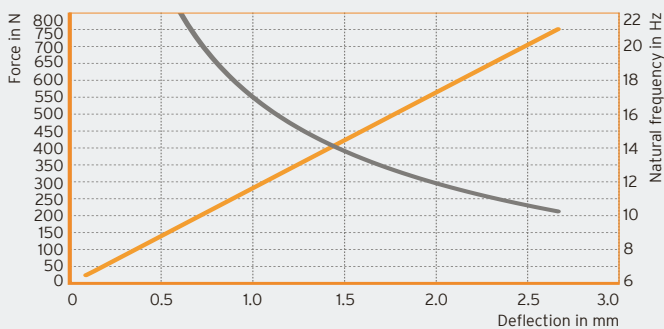
Isotop® Compact 40



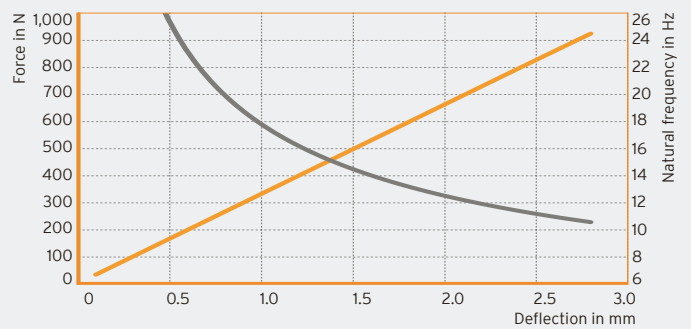
Isotop® Compact 50



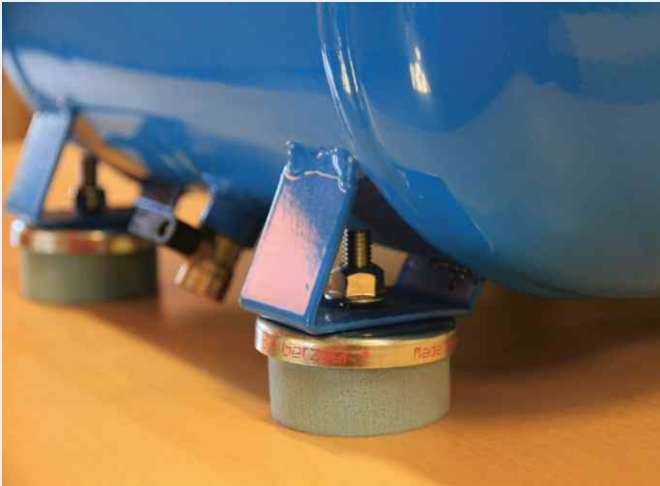
Isotop® Compact 70



Isotop® Compact 100



— Force in N
— Natural frequency in Hz



Small compressed air compressor on Compact B/-



Isotop® Compact with various attachment options



External air-handling unit on wall bracket



Compressor bearing concept with Sylomer® CGR and Isotop® Compact

DB Isotop® en © Copyright by Getzner Werkstoffe GmbH 05/2020 | All information and data is based on our current knowledge. The data can be applied for calculations and as guidelines, are subject to typical manufacturing tolerances and are not guaranteed. Material properties as well as their tolerances can vary depending on type of application or use and are available from Getzner on request. Further information can be found in VDI Guideline 2062 (Association of German Engineers) as well as in glossary. Further characteristic values on request.

Ota yhteyttä: Christian Berner Oy +358 9 2766 830 • infofi@christianberner.com • www.christianberner.fi

AUSTRIA – Bürs GERMANY – Berlin – Munich – Stuttgart FRANCE – Lyon JORDAN – Amman
 JAPAN – Tokyo INDIA – Pune CHINA – Beijing USA – Charlotte www.getzner.com

getzner
 engineering a quiet future