



Isotop® DSD-BL

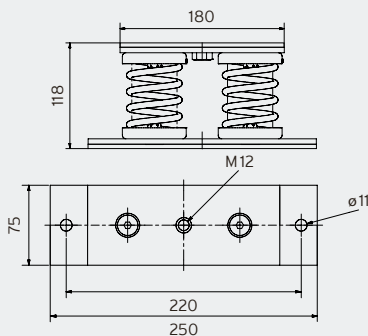
DSD steel spring block element with high-performance damper

- Natural frequency from 4.3 Hz
- High load capacity of up to 5,850 kg per element
- Sylodamp® inside - ideal for machines with several start-stop cycles
- CDC coating of springs and powder coating of pressure plates for outstanding corrosion protection
- Top plate and base plate fitted with 6 mm Sylomer® anti-slip plate
- Secure connection between the plate and the spring thanks to special adhesive
- Top plate with M12 thread
- Simple load control thanks to open design

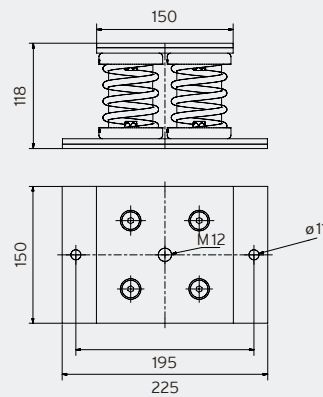
DSD-BL	Maximum load		Natural frequency at maximum load	Packaging unit	Order number
	in kg	in N			
Isotop® DSD-BL2-62/70	400	3,924	4.3 Hz	4 pcs.	42430
Isotop® DSD-BL2-72/80	730	7,161	5.2 Hz	4 pcs.	42431
Isotop® DSD-BL2-82/90	940	9,221	4.7 Hz	4 pcs.	42432
Isotop® DSD-BL2-81/91	1,120	10,987	4.7 Hz	4 pcs.	42433
Isotop® DSD-BL2-80/92	1,300	12,753	4.6 Hz	4 pcs.	42434
Isotop® DSD-BL4-72/82	1,560	15,304	4.8 Hz	4 pcs.	42435
Isotop® DSD-BL4-84/90	1,880	18,443	4.7 Hz	4 pcs.	42436
Isotop® DSD-BL4-82/92	2,240	21,974	4.7 Hz	4 pcs.	42437
Isotop® DSD-BL4-80/94	2,600	25,506	4.6 Hz	4 pcs.	42438
Isotop® DSD-BL6-86/90	2,820	27,664	4.7 Hz	10 pcs.	42439
Isotop® DSD-BL6-80/96	3,900	38,259	4.6 Hz	10 pcs.	42440
Isotop® DSD-BL9-80/99	5,850	57,389	4.6 Hz	10 pcs.	42441

Not held in stock. Delivery time on request (approx. 15 working days from the factory).
Customised block elements (spring combinations) available on request.

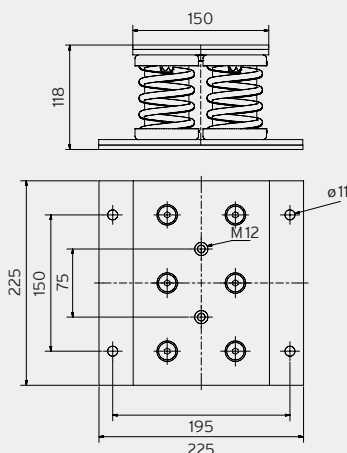
Isotop® DSD-BL 2 (unladen)



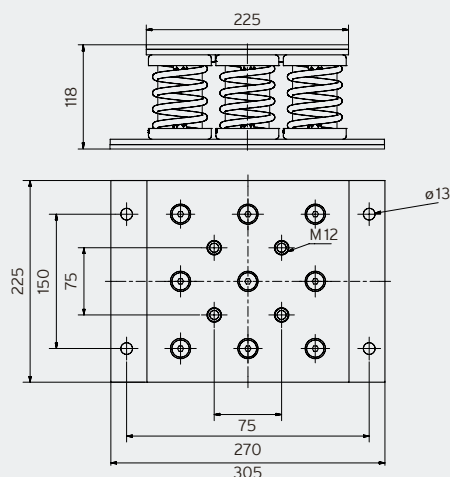
Isotop® DSD-BL 4 (unladen)



Isotop® DSD-BL 6 (unladen)



Isotop® DSD-BL 9 (unladen)



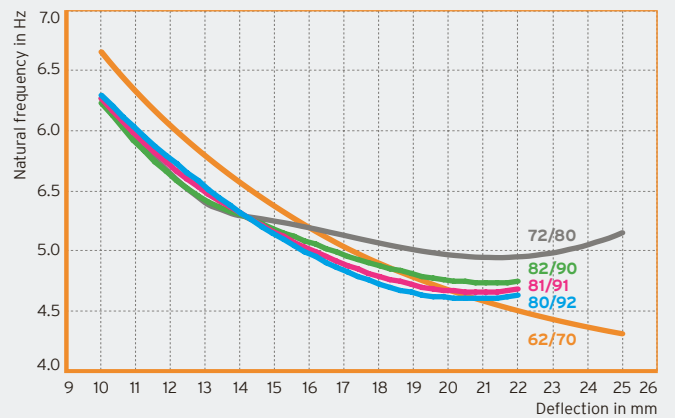
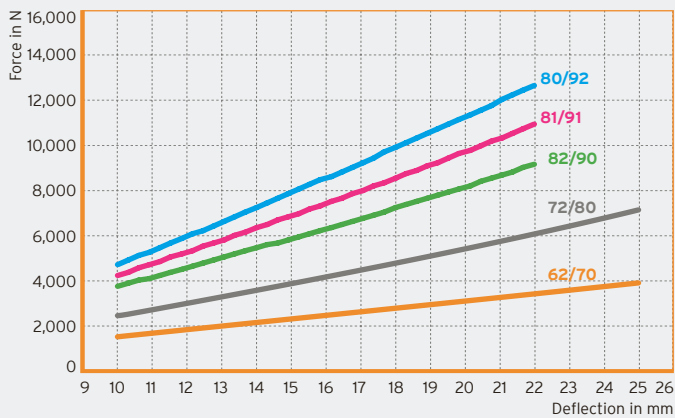


On-roof installation of an AC system with relatively high wind loads

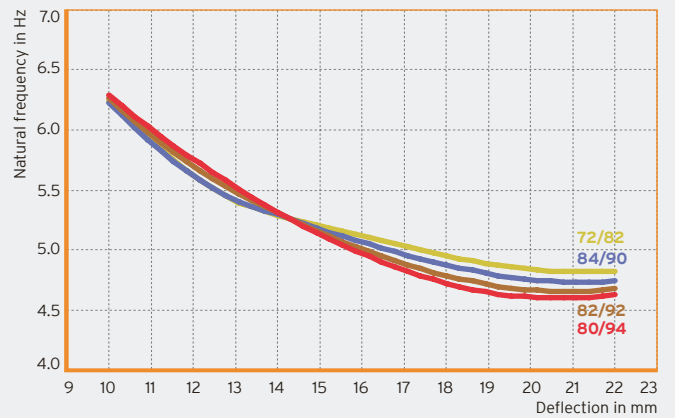
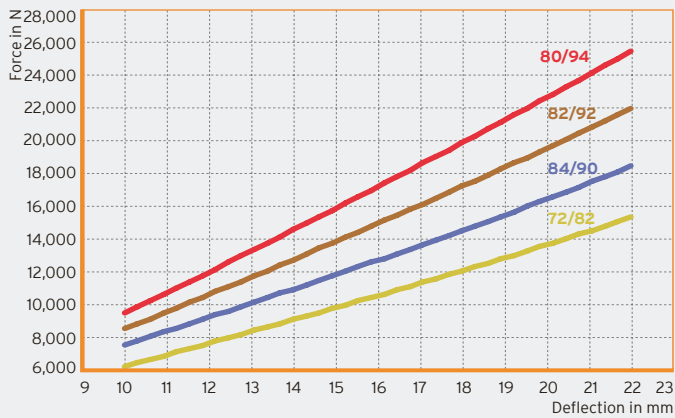


Large combined heat and power plant with several start-stop cycles

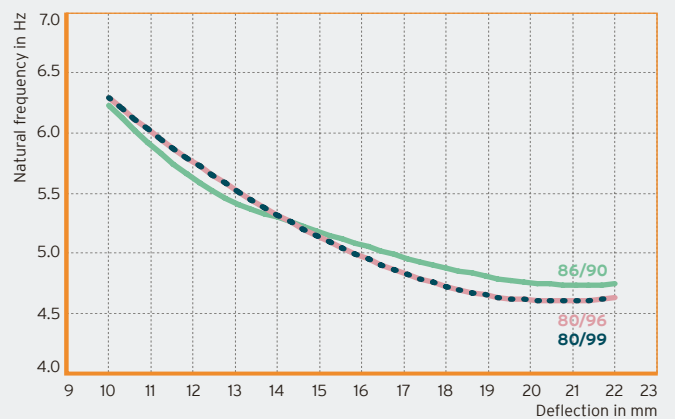
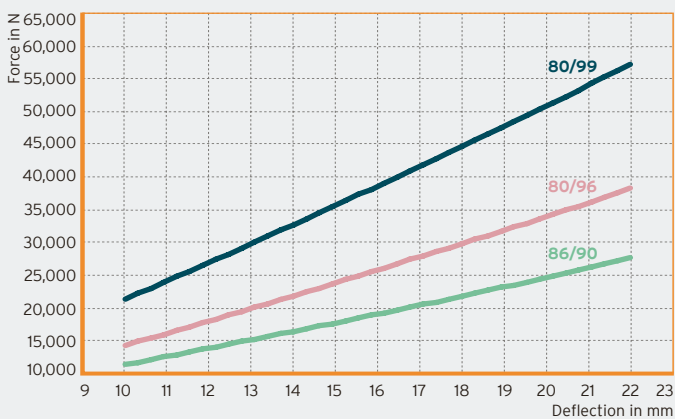
Isotop® DSD-BL2



Isotop® DSD-BL4



Isotop® DSD-BL6 and DSD-BL9



Ota yhteyttä: Christian Berner Oy +358 9 2766 830 • infofi@christianberner.com • www.christianberner.fi

AUSTRIA – Burs GERMANY – Berlin – Munich – Stuttgart FRANCE – Lyon JORDAN – Amman
 JAPAN – Tokyo INDIA – Pune CHINA – Beijing USA – Charlotte
www.getzner.com

getzner
 engineering a quiet future

DB Isotop® en © Copyright by Getzner Werkstoffe GmbH 05/2020 | All information and data is based on our current knowledge. The data can be applied for calculations and as guidelines, are subject to typical manufacturing tolerances and are not guaranteed. Material properties as well as their tolerances can vary depending on type of application or use and are available from Getzner on request. Further information can be found in VDI Guideline 2062 (Association of German Engineers) as well as in glossary. Further characteristic values on request.