

Isotop® FP und FP/K

Base plates and structure borne noise damped base plates for Isotop® SD

by reinicke
isotop®

Design

Isotop® FP Base plates are made of steel plate and can be supplied galvanised or cataphoresis coated. A hexagonal screw M10 and a locking washer are supplied. ISOTOP® FP/K structure-borne noise isolated base plates are additionally furnished with a 10 mm Sylomer® plate.

Field of application

Isotop® FP base plates are essential elements for fixing the Isotop® SD or DSD steel spring vibration isolators to the base, intermediate floors or block foundations.

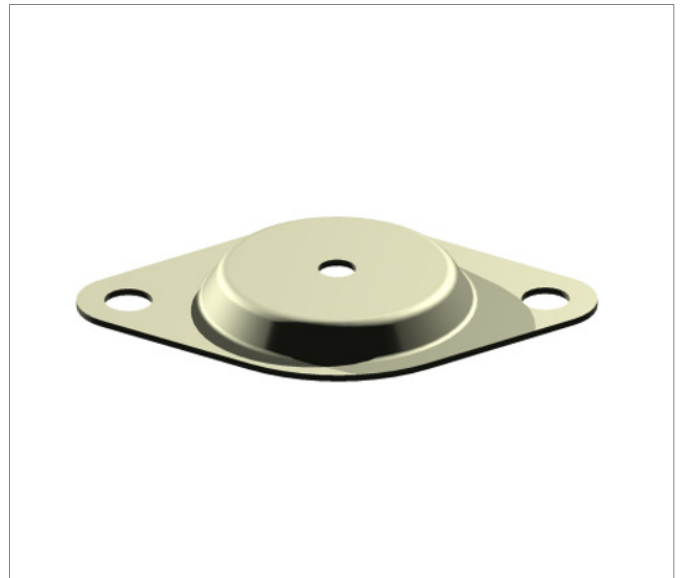
Isotop® FP/K structure-borne noise damped base plates have a natural frequency, depending on the load, down to approx. 15 - 30 Hz at 900 - 1800 min⁻¹ and are used in conjunction with Isotop® steel spring vibration isolators of the series SD or DSD to separate structure-borne noise.

Advantages

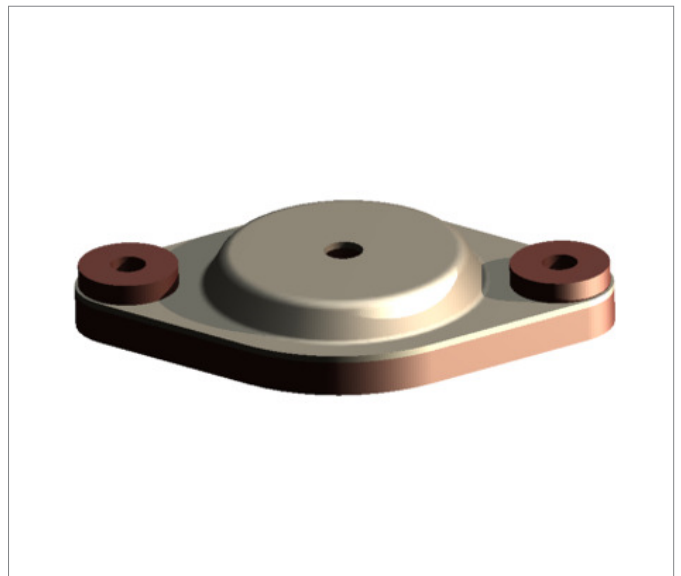
- Construction height, diameter and connection thread are identical for all types, which guarantees exchangeability.
- For Isotop® FP/K structure borne noise damped base plates no transfer of structure borne noise results from the base plate via the securing bolts to the foundation.

Our service

Make use of our know-how on questions about vibration technology. We will gladly consult you and will calculate tailor-made solutions for vibration isolation.



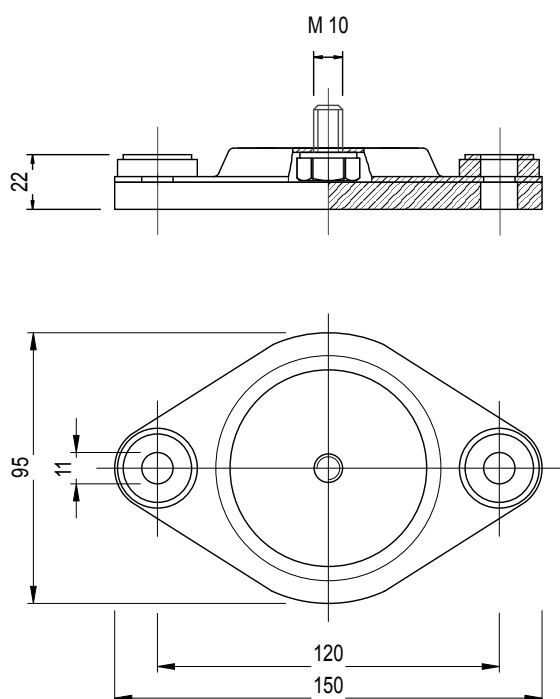
Isotop® FP, galvanized or cataphoresis coated (black)



Isotop® FP/K, galvanized or cataphoresis coated (black)

Selection table

DESCRIPTION	REF. NO.	NOMINAL RANGE min./max.	STEEL SPRING RANGE
Isotop® FP/K1-4	45000114	120 N - 1,200 N	SD 1 - SD 4 (brown)
Isotop® FP/K5-6	45000116	720 N - 2,700 N	SD 5 + SD 6 (grey)
Isotop® FP/K7-9	45000118	1,815 N - 6,400 N	SD 7 + SD 9 (turquoise)



All data indicated are based upon our current knowledge. They may be used as calculation and standard values and are subject to the usual machining tolerances. Subject to change and correction.

Ota yhteyttä: Christian Berner Oy +358 9 2766 830 • infofi@christianberner.com • www.christianberner.fi

www.reinicke-gmbh.de

Voithstraße 26 71640 Ludwigsburg Deutschland T +49-7141-79179-0 F +49-7141-79179-11 info@reinicke-gmbh.de

reinicke
a getzner company