



# Isotop<sup>®</sup> MSN-BL

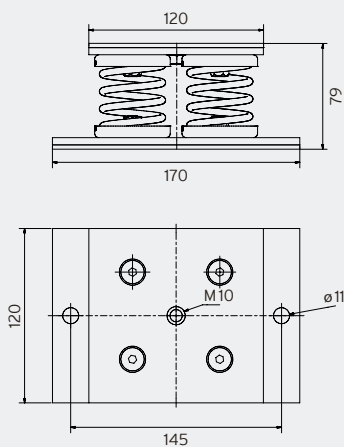
MSN steel spring block element  
for low installation heights and high loads

- Natural frequency from 3.5Hz
- Low overall height of 79 mm
- High load capacity of up to 800 kg per element
- Top plate and base plate fitted with 6 mm Sylomer<sup>®</sup> anti-slip plate
- CDC coating of springs and powder coating of pressure plates for outstanding corrosion protection
- Secure connection between the plate and the spring thanks to special adhesive
- Top plate with M10 thread
- Simple load control thanks to open design

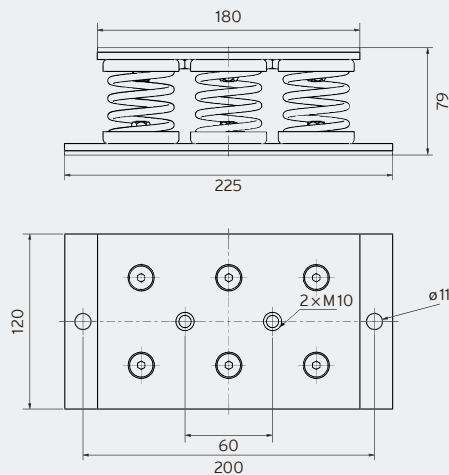
MSN-BL	Maximum load		Natural frequency at maximum load	Packaging unit	Order number
	in kg	in N			
Isotop <sup>®</sup> MSN-BL4-52/62	117	1,147	3.5 Hz	4 pcs.	<b>42407</b>
Isotop <sup>®</sup> MSN-BL4-74/80	212	2,079	3.5 Hz	4 pcs.	<b>42408</b>
Isotop <sup>®</sup> MSN-BL4-70/84	360	3,531	3.5 Hz	4 pcs.	<b>42410</b>
Isotop <sup>®</sup> MSN-BL6-72/84	465	4,561	3.5 Hz	10 pcs.	<b>42411</b>
Isotop <sup>®</sup> MSN-BL6-70/86	535	5,248	3.5 Hz	10 pcs.	<b>42412</b>
Isotop <sup>®</sup> MSN-BL9-73/86	695	6,817	3.5 Hz	10 pcs.	<b>42413</b>
Isotop <sup>®</sup> MSN-BL9-70/89	800	7,848	3.5 Hz	10 pcs.	<b>42414</b>

Not held in stock. Delivery time on request (approx. 15 working days from the factory).  
Customised block elements (spring combinations) available on request.

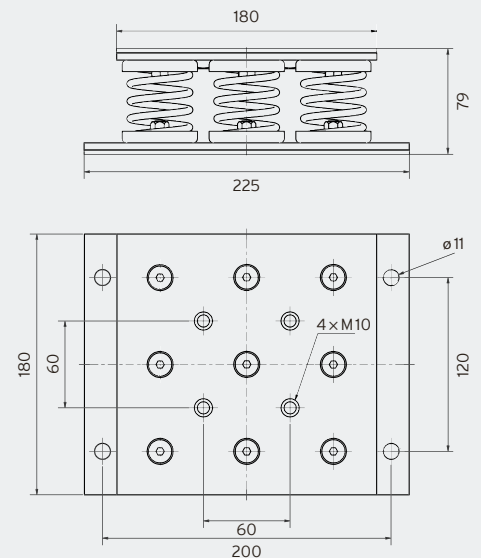
Isotop<sup>®</sup> MSN-BL 4 (unladen)



Isotop<sup>®</sup> MSN-BL 6 (unladen)



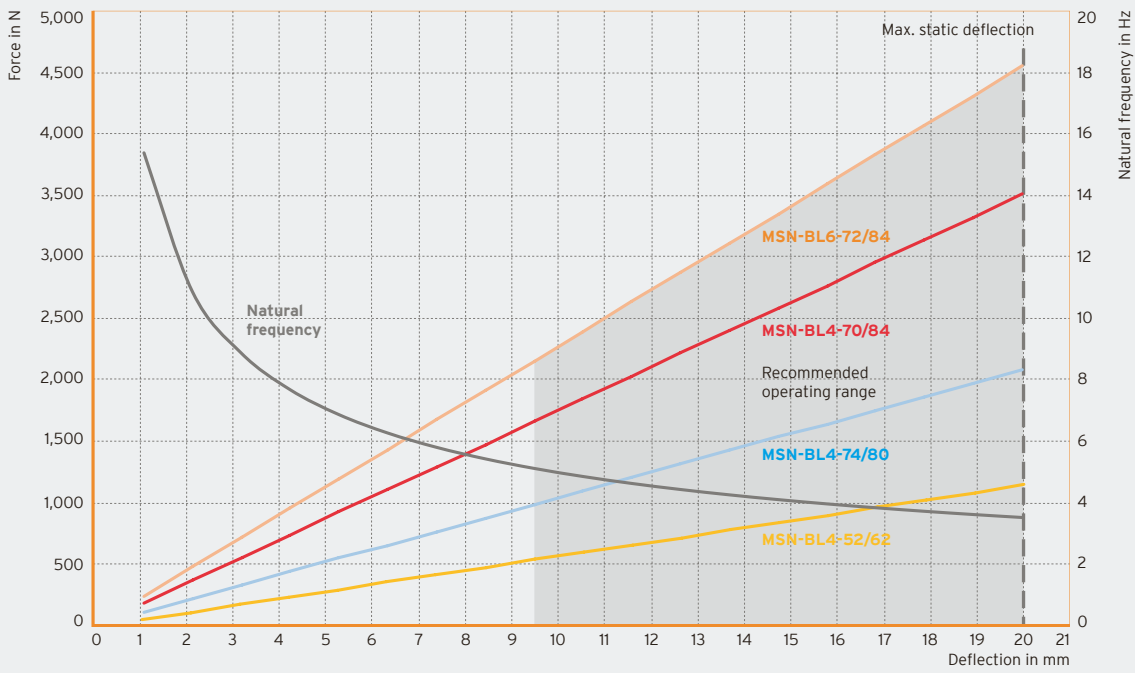
Isotop<sup>®</sup> MSN-BL 9 (unladen)



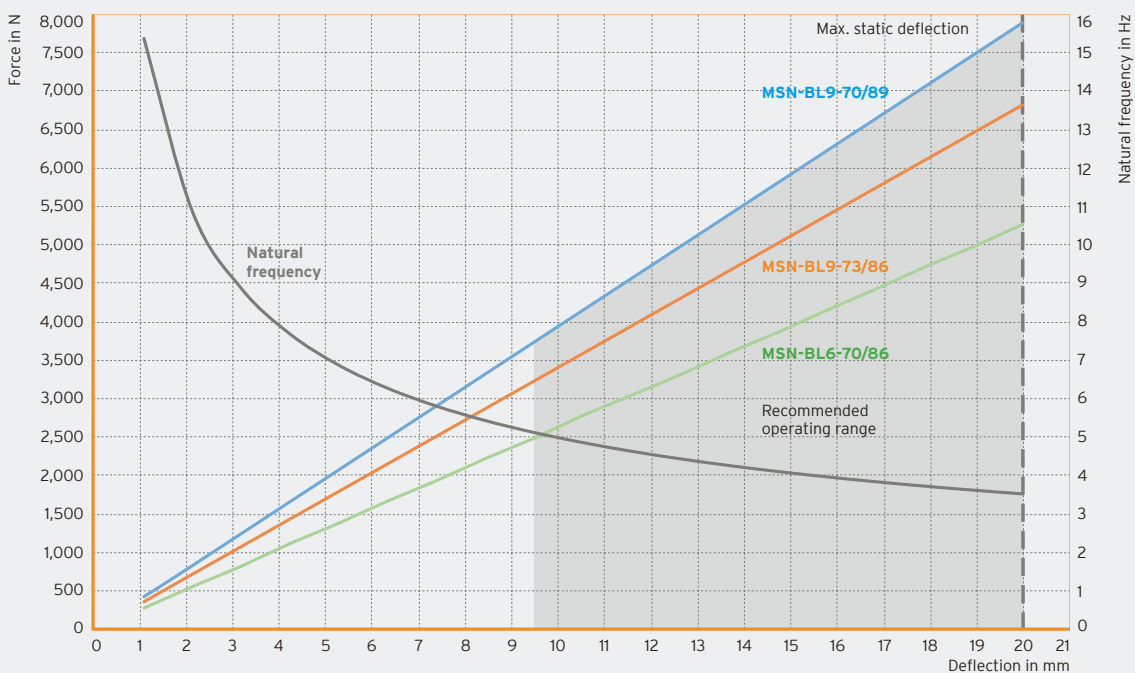


Bearing of duct silencer

**Isotop® MSN-BL 4-6**



**Isotop® MSN-BL 6-9**



Ota yhteyttä: Christian Berner Oy +358 9 2766 830 • infofi@christianberner.com • www.christianberner.fi

AUSTRIA – Bürs GERMANY – Berlin – Munich – Stuttgart FRANCE – Lyon JORDAN – Amman  
 JAPAN – Tokyo INDIA – Pune CHINA – Beijing USA – Charlotte  
[www.getzner.com](http://www.getzner.com)

**getzner**  
 engineering a quiet future

DB Isotop® en © Copyright by Getzner Werkstoffe GmbH 05/2020 | All information and data is based on our current knowledge. The data can be applied for calculations and as guidelines, are subject to typical manufacturing tolerances and are not guaranteed. Material properties as well as their tolerances can vary depending on type of application or use and are available from Getzner on request. Further information can be found in VDI Guideline 2062 (Association of German Engineers) as well as in glossary. Further characteristic values on request.