

Hygienic sampling valve by syringe
for tank or process line
and clear liquids

PESH[®]



Membrane :



OVERVIEW :

The PESH sampling valve is used to take a sample of clear or low viscosity liquid from a tank or transfer circuit in order to carry out quality and/or bacterial controls. The increased hygienic design guarantees there is no retention zone (an ideal place for bacteria to develop), and is easy to clean. The sampling is done using a syringe, through a self-repairing membrane. A numbered grid, situated on the front of the equipment, is used to identify the zones already used and those still available for taking a sample.

KEY BENEFITS :

- ▲ Sampling by syringe
- ▲ Hygienic design, with flush mounting possibility (eq. NA Connect®)
- ▲ Indexing for utilisation of one hole per sample, to avoid any risk of contamination via the sampling point
- ▲ Easy maintenance with only the membrane to change

APPLICATIONS :

- ▲ Process tanks or transfer lines containing bacteriologically sensitive clear liquids
- ▲ Equipment especially suited to sampling of products subject to quality and/or bacterial controls

TECHNICAL SPECIFICATIONS :

Connection: Clamp with external diameter of 50.5 mm

Mounting on, minimum OD 1" connection (internal diameter of 22.1 mm)

Service pressure: From -1 to 10 bar for OD 1"

Service temperature: From 1 °C to 130 °C

CIP/SIP support: Up to a temperature of 140 °C for 20 to 30 minutes

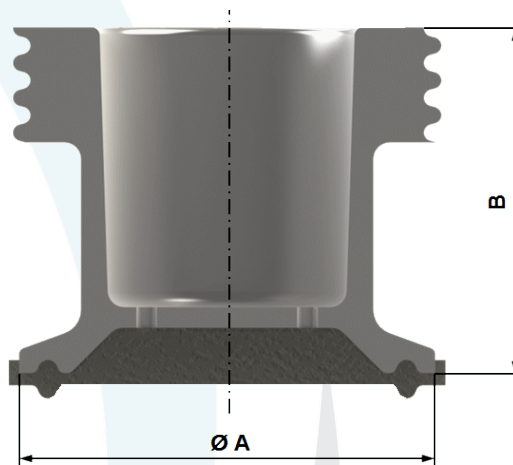
Indexed grid: 15 holes with a diameter of 2.5 mm

Materials:

- 1.4404 (316L) stainless steel
- Membrane: VMQ (Silicone)

DIMENSIONS IN MM :

Sizes	A	B
TU	50,5	42



OPTIONS :

- Supply of the NA Connect® flange or equivalent

GUARANTEE :

12 months from the date of shipment (except in the case of special conditions)

COMPLIANCES :

- Ducting and tank accessories compliant with European PED 2014/68/UE, §4.3
- Elastomer membrane compliant with FDA CFR 21.177.2600 and 1935/2004/EC ruling and USP Class VI

SERVINOX follows the recommendations of international guidelines and standards relative to hygienic design and construction, in particular those of the EHEDG and 3-A.

Non contractual document and pictures, subject to change with no prior notice.

Only the commercial offer and the technical manual supplied with the equipment may be used for technical and legal purposes.