

**Simplified sampling valve
with membrane
for tank or process line
and low viscosity liquids**

PEMS[®]



Membrane :



Optional :



OVERVIEW :

The PEMS sampling valve is used to take a sample of clear or low viscosity liquid from a process line or tank in order to carry out quality and/or bacterial controls. Valve sealing is obtained by a membrane. The hygienic design guarantees there is no retention zone (an ideal place for bacteria to develop) and is easy to clean. Its hygienic qualities, as well as its easy assembly and maintenance, make it a reference on the market.

KEY BENEFITS :

- ▲ Hygienic design with flared body
- ▲ Low acquisition and usage cost
- ▲ Modular opening
- ▲ Easy to use and easy maintenance

APPLICATIONS :

- ▲ Sampling on the tank or transfer line of a clear or low viscosity liquid (non sticky, non sugary and non solidifying)
- ▲ Equipment especially suited to sampling of products subject to quality and/or bacterial controls

TECHNICAL SPECIFICATIONS :

Sizes: DN 6 and DN 10

Intake connection: To weld

Outlet connection: Smooth

CIP connection (optional): Smooth, Clamp

Service pressure: From 0.1 to 6.0 bar

Service temperature: From 0 °C to 120 °C

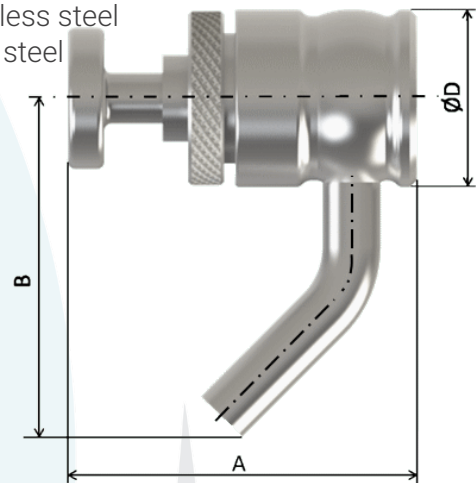
CIP/SIP support: Up to a temperature of 130 °C for 20 to 30 minutes

Materials:

- Parts in contact with the product: 1.4404 (316L) stainless steel
- Other parts: 1.4307 (304L) or 1.4404 (316L) stainless steel
- Sealing: VMQ membrane (Silicone)

DIMENSIONS IN MM :

Sizes	A	B	D
DN 6 (angled outed)	49	52	24,5
DN 10 (angled outed)	70	57	34,5



OPTIONS :

- Additional intake for passage of CIP liquid
- VMQ (Silicone) or stainless steel cap(s)
- Other intake connections: smooth nozzle to weld, micro-clamp, clamp, female/male (DIN/SMS), thread 1/4, 3/8, 1/2...
- Other outlet connections: micro-clamp, thread 1/4, 3/8, 1/2...
- Other membranes: EPDM (Ethylene Propylene Diene Monomer), NBR (Nitrile rubber), FKM (Fluorocarbon rubber, eq. Viton®), FFKM (Perfluoroelastomer, eq. Kalrez®)
- Membrane USP Class VI compliant
- Customised equipment: please contact us

GARANTEE :

12 months from the date of shipment (except in the case of special conditions)

COMPLIANCES :

- Ducting and tank accessories compliant with European **PED 2014/68/UE §4.3** Elastomer
- membranes compliant with **FDA CFR 21.177.2600** and 1935/2004/EC ruling
- Optional: Membranes **USP Class VI** compliant

SERVINOX follows the recommendations of international guidelines and standards relative to hygienic design and construction, in particular those of the EHEDG and 3-A.

Servinox makes every effort to update its documents in line with improvements to its products.