

# Verderflex

## Vantage 3000 C R3i



VERDERFLEX®

<b>Verderflex Vantage 3000 C R3i Specification</b>	
Pump head	Aluminium, Powder Coated, Perspex Front Cover
Control Options	Analogue Inputs (0-10V DC / 4 to 20mA), Potentiometer (10kΩ), Remote Stop / Start / Reverse (Footswitch)
Software Features	Keypad Lock, Memory Dose
Display	2 Line Alphanumeric Display
Motor	24 Hour Duty Brushless DC
Rotor	Anodised Aluminium Nylatron® Rollers
Power Supply	85 - 265V AC 50/60Hz with Fuseless Resettable Switch
Speed	10 to 250 RPM
Temperature	5°C - 40°C
Protection Class	IP66
Standard Tube	Verderprene, Silicone (Tygon®, Viton® : some sizes to special order)
Tube Sizes	6.4 x 3.2mm, 8.0 x 3.2mm, 9.6mm x 3.2mm
Weight	5 kg

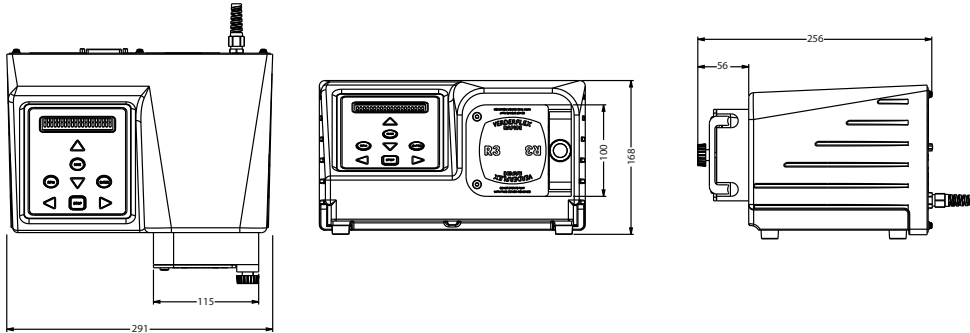
### Flow Rates

Tube (ID x WT)	RPM	Flow ml/min	Flow l/hr
6.4 x 3.2 mm	10	55	3.3
6.4 x 3.2 mm	120	660	39.6
6.4 x 3.2 mm	200	1100	66
6.4 x 3.2 mm	250	1375	82.5
8.0 x 3.2 mm	10	97	5.8
8.0 x 3.2 mm	120	1164	69.8
8.0 x 3.2 mm	200	1940	116.4
8.0 x 3.2 mm	250	2425	145
9.6 x 3.2 mm	10	130	7.8
9.6 x 3.2 mm	120	1560	93.6
9.6 x 3.2 mm	200	2600	156
9.6 x 3.2 mm	250	3250	195

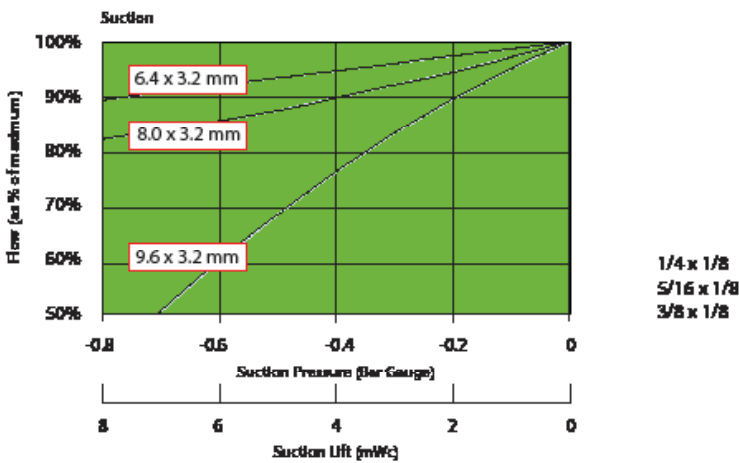
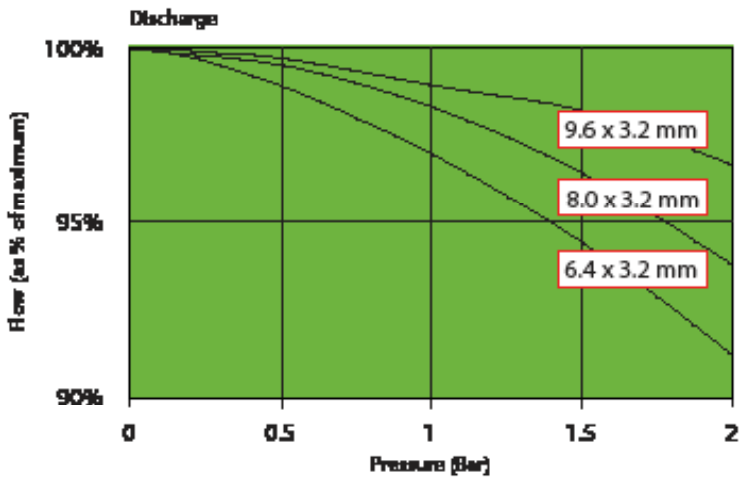
Flows are typical and were measured with water at 20°C with no suction lift or discharge pressure. Actual flows will vary according to suction conditions, discharge pressure and normal component production tolerances.



# Verderflex Vantage 3000 C R3i



All dimensions are in mm.  
All dimensions and weights are for guidance only.



VF\_Techno\_Vantage\_3000\_Rev02\_2018\_(eu)

**Find your local supplier  
at [www.verderflex.com](http://www.verderflex.com)**

For construction installation and floor mounting drawings  
please contact your local authorised Verderflex® distributor.

**VERDER**  
passion for pumps