

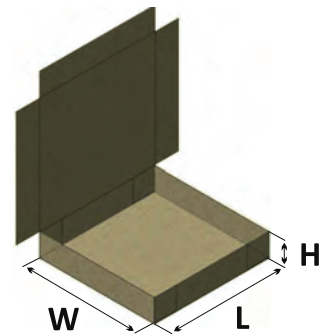
# Carton Closer CLM



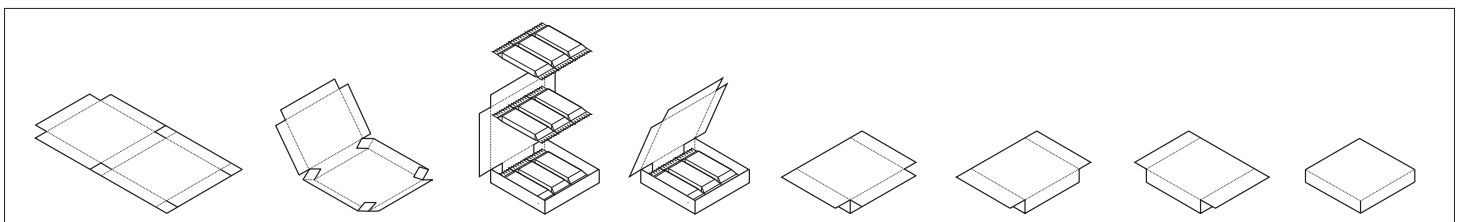
Viking Masek's CLM machines are a family of carton closing machines. We offer straight-line or right-angle units to close one, two or three flaps of the cartons. The unique turning mechanism provides gentle handling of the cartons and of the products inside.

**max. speed** 100 cpm

**carton size (W×L×H)**  
max 300 × 400 × 200 mm  
min 65 × 80 × 25 mm



## Topload Process



# Carton Closer CLM In Detail

One, two or three flap, carton closing machine are designed to handle all types of board. Whether manufactured from thin or heavy gauge chipboard or corrugated micro-fluted board finished with high quality printing, the CLM carton closers will produce perfectly formed, square and unblemished cartons that are secure and strong for shipping, yet suitable for shelf or freezer display.

## features

- › One, two or three flap closing configuration
- › Lock-style, hot melt or hot air systems
- › Easy format change-over
- › Driven infeed to adapt to random carton flow
- › Servo drives
- › Rugged stainless steel construction  
Jogging control
- › Safety guarding
- › Off-the-shelf components
- › Siemens or Allen Bradley controls
- › Excellent accessibility
- › Speed and glue adjustment through the HMI
- › Gentle carton rotation

## options

- › Various styles of infeed/outfeed conveyors
- › Straight-line or right-angled construction
- › Damaged carton rejection
- › Different frame sizes to accommodate large carton range
- › Remote control
- › IP65 washdown construction

**Max. speed**  
100 cpm

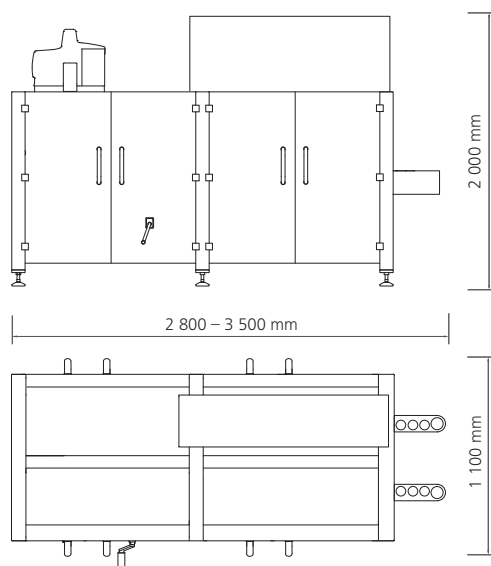
**Air pressure**  
6 bar

**Weight**  
900–1 300 kg

**Power supply**  
6–12 kVA



## Machine drawings



### Europe, Asia, Africa, Australia

Viking Mašek, a.s. | Průmyslová 1747 | 258 01 Vlašim | Czech Republic

**Phone** +420 317 850 500 | **Email** info@masek.cz | **Website** www.masek.cz, www.vikingmasek.cz

### North and South America

Viking Masek Global Packaging Technologies, Inc. | 40 Woodland Court | Oostburg, WI 53070 | USA

**Phone** +1 920 564 5051 | **Email** sales@vikingmasek.com | **Website** www.vikingmasek.com