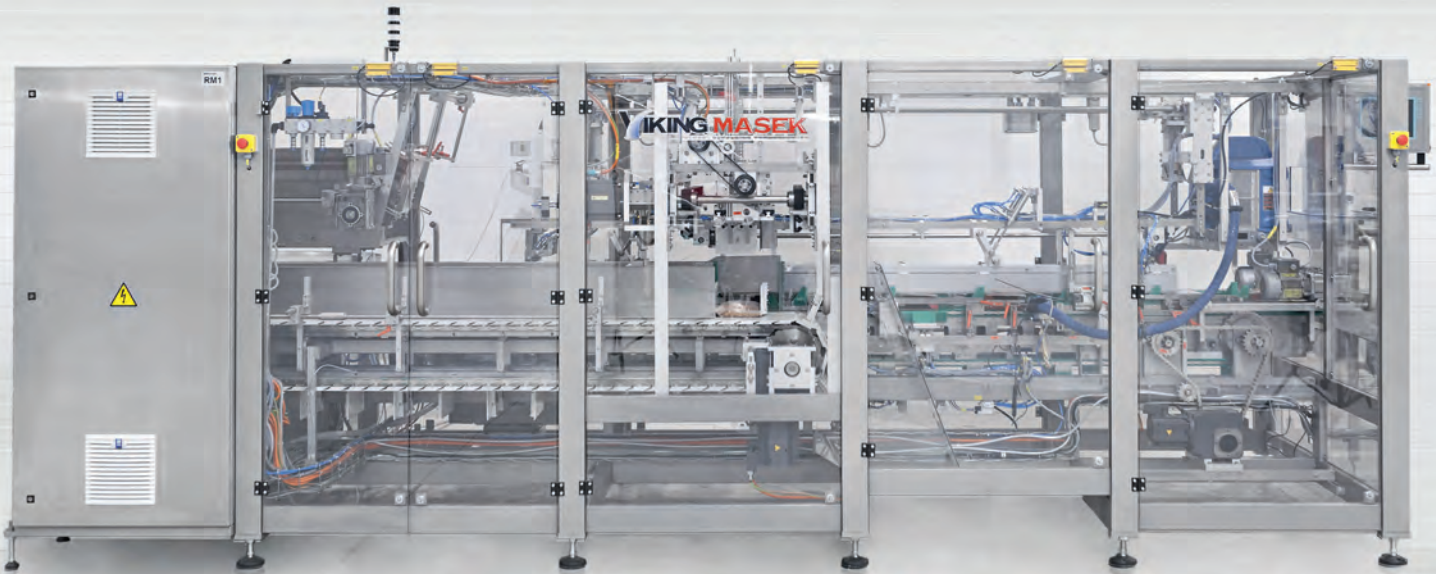


Endload Cartoner CAM



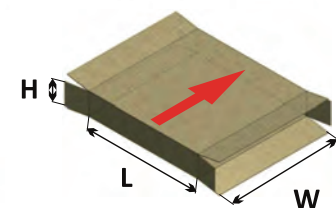
Viking Masek's CAM cartoners are fully servo driven, automatic continuous or intermittent endload cartoners, carefully designed to match specific applications on exact speed and size range requirements.

max. speed

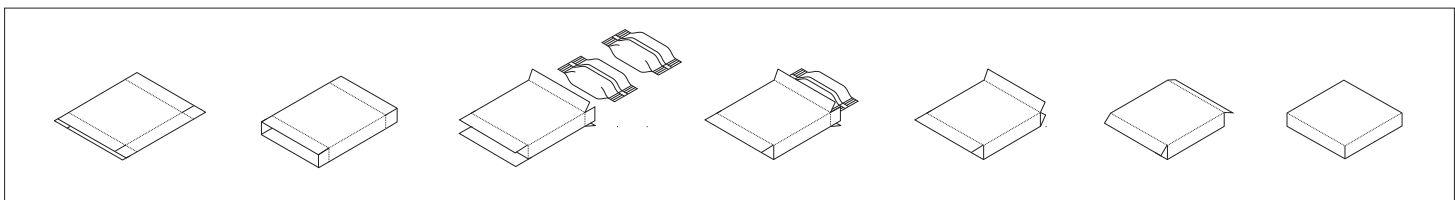
intermittent	continuous
55 cpm	200 cpm

carton size (W×L×H)

max.
i: 400×600×300 mm
c: 225×300×80 mm
min.
50×80×30 mm



Endload Process



Endload Cartoner CAM In Detail

Viking Masek endload cartoning solutions are carefully designed to match customers' applications based on speed and size-range requirements. The CAM cartoner is a fully servo driven, highly flexible, economical and robust cartoner. The continuous or intermittent motion modes permit compact layouts, simple change-overs and a broad range of applications. Featuring easy change-over, various closure systems and product feeders, our customised solutions ensure guaranteed performance.

features

- > Hot melt or tuck closure
- > Easy format change-over
- > Inclined carton magazine
- > Controlled carton supply
- > Servo drives
- > Rugged stainless steel construction
- > Vacuum pump included
- > Jogging control
- > Safety guarding
- > Off-the-shelf components
- > Siemens or Allen Bradley controls
- > Excellent accessibility
- > Ergonomic design
- > Continuous or intermittent
- > Easy adjustment

options

- > Fully motorised size change-over
- > Damaged carton rejection
- > Open flap rejection
- > Different frame sizes to accommodate large carton range
- > Remote control
- > Extended carton magazine
- > IP65 washdown construction
- > Various types of infeed systems and collating unit
- > Leaflet insertion

Max. speed
55/200 cpm

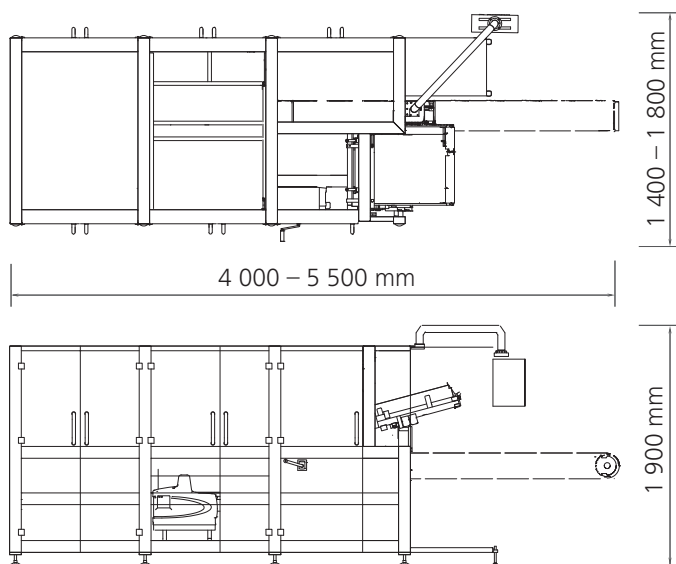
Air pressure
6 bar

Weight
1 500–2 500 kg

Power supply
8–12 kVA



Machine drawings



Europe, Asia, Africa, Australia

Viking Mašek, a.s. | Průmyslová 1747 | 258 01 Vlašim | Czech Republic

Phone +420 317 850 500 | **Email** info@masek.cz | **Website** www.masek.cz, www.vikingmasek.cz

North and South America

Viking Masek Global Packaging Technologies, Inc. | 40 Woodland Court | Oostburg, WI 53070 | USA

Phone +1 920 564 5051 | **Email** sales@vikingmasek.com | **Website** www.vikingmasek.com