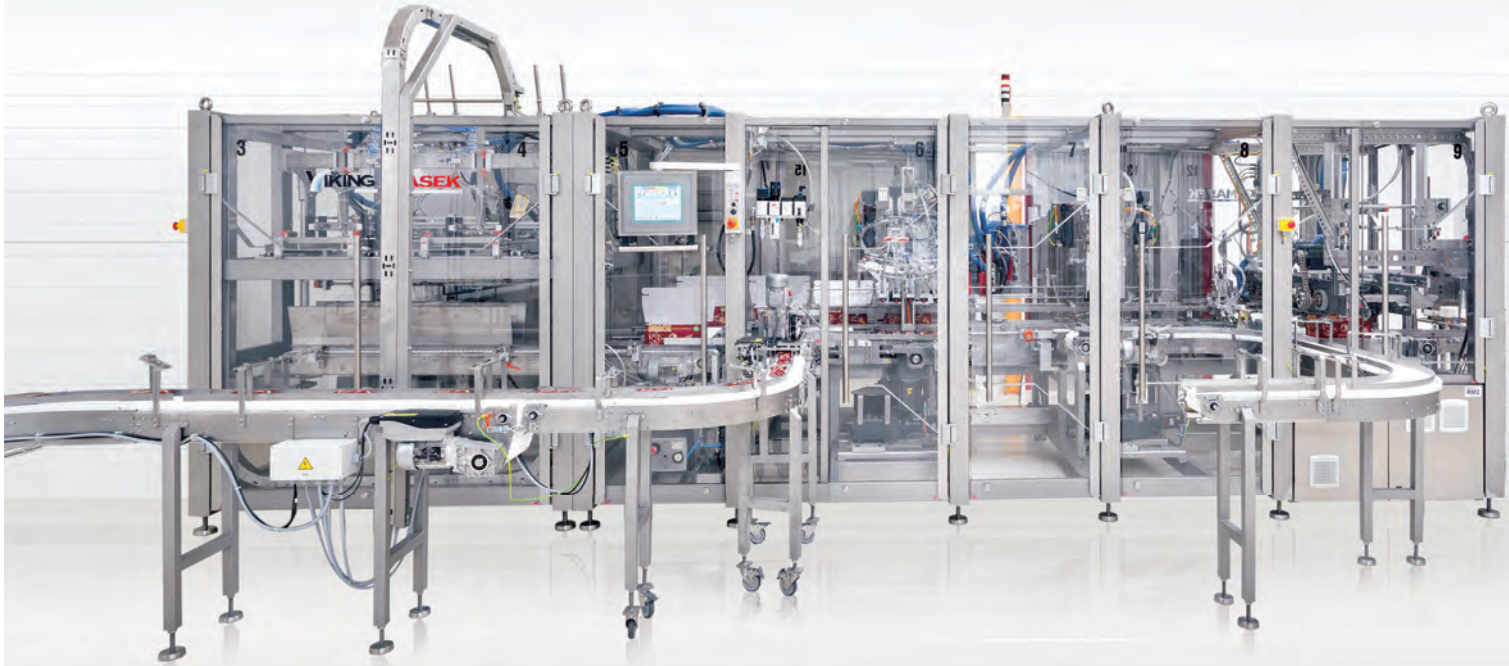


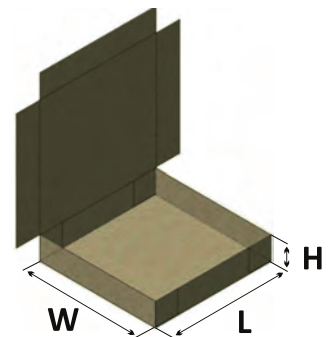
Topload Cartoner MFM



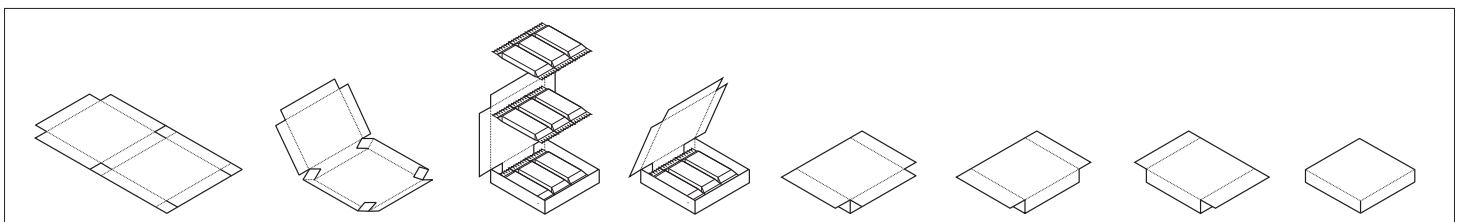
It is often said that life is a series of trade-offs. But not for Viking Masek's unique top load solution MFM – multifunctional machine combining carton erector, product loading unit and carton closing machine into one compact unit. The MFM has the unique capability of being able to match available floor space.

max. speed 45 cpm

carton size (W×L×H)
max 250 × 400 × 200 mm
min 100 × 200 × 45 mm



Topload Process



Topload Cartoner MFM In Detail

One, two or three flap, carton closing machine are designed to handle all types of board. Whether manufactured from thin or heavy gauge chipboard or corrugated micro fluted board finished with high quality printing, the CLM carton closers will produce perfectly formed, square and unblemished cartons that are secure and strong for shipping yet suitable for shelf or freezer display.

Max. speed

45 cpm

Air pressure

6 bar

Weight

2 500–3 500 kg

Power supply

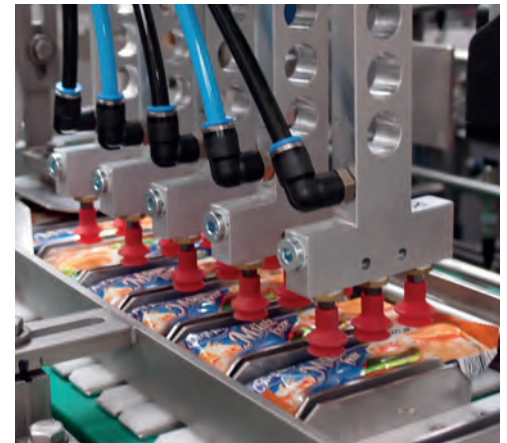
10–15 kVA

features

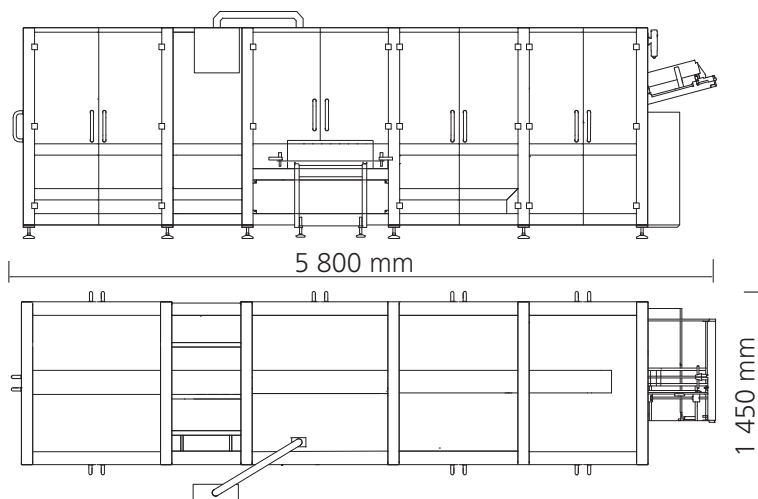
- › Single head, hot melt
- › Tray or fully closed carton set-up
- › Easy format change-over
- › Driven carton magazine
- › Servo drives
- › Rugged stainless steel construction
- › Jogging control
- › Off-the-shelf components
- › Siemens or Allen Bradley controls
- › Excellent accessibility
- › Speed and glue adjustment through the HMI
- › Gentle carton rotation
- › In-built loading machine
- › One- or three-flap closing

options

- › Various styles of loading units – pickers, robots, rotary turrets, and many others
- › Straight-line construction
- › Damaged carton rejection
- › Different frame sizes to accommodate large carton range
- › Lid closure of cartons
- › Remote control
- › IP65 washdown construction



Machine drawings



Europe, Asia, Africa, Australia

Viking Mašek, a.s. | Průmyslová 1747 | 258 01 Vlašim | Czech Republic

Phone +420 317 850 500 | **Email** info@masek.cz | **Website** www.masek.cz, www.vikingmasek.cz

North and South America

Viking Masek Global Packaging Technologies, Inc. | 40 Woodland Court | Oostburg, WI 53070 | USA

Phone +1 920 564 5051 | **Email** sales@vikingmasek.com | **Website** www.vikingmasek.com